

Adams Rite

Product Catalog 2024



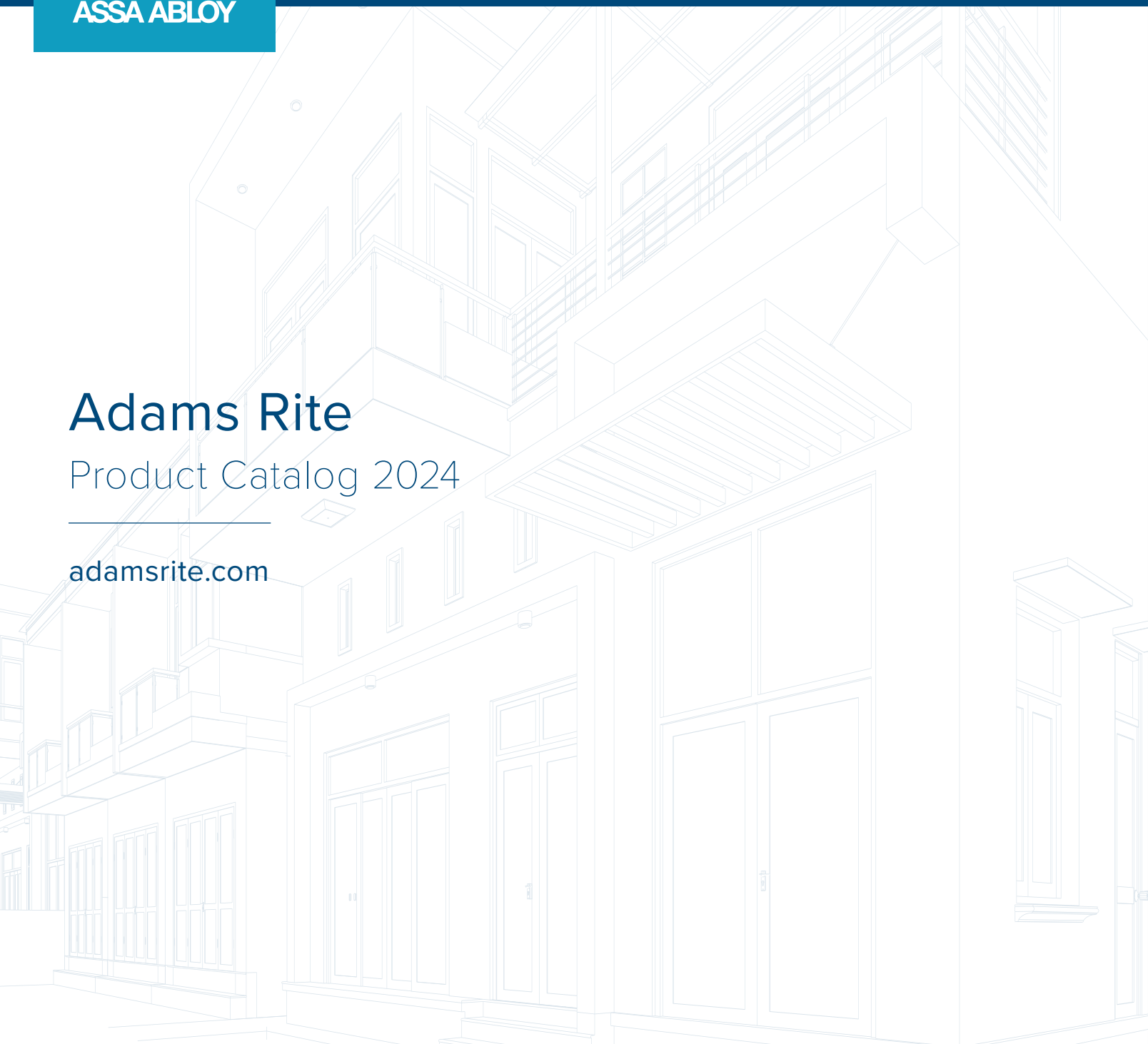


ASSA ABLOY

Adams Rite

Product Catalog 2024

adamsrite.com



Adams Rite Product Catalog 2023

Table of Contents

DEADLOCKS

1830 Series Swing Bolt Bottom Rail Deadlock	6
MS1837 Series MS® Two-Point Deadlock	8
MS1847 Series MS® Deadlock/Deadlatch	10
MS1850S, MS1850S-X5X Series MS® Deadlocks	12
MS1850SN, MS1850SN-45X Series MS® Deadlocks	16
MS1861 Series MS® Bottom Rail Deadbolt	20
1875 Two-Point Deadlock	22
MS+1890 Series MS® Deadlock/Deadlatch	24
MS1950, MS1950-X5X Series MS® Deadlocks	26
Dual Force® 2190, 2290 Series Interconnected Deadbolt/Deadlatch	30
2331 Heavy Duty Deadbolt	36
4070 Series Short Throw Deadbolt (Projection Style)	38
5017 Deadlock/Deadlatch	40
5500 Deadlock	42
Options & Accessories	44

DEADLATCHES

DL100 Wireless Deadlatch	46
Steel Hawk® 4300 Electrified Deadlatch	50
4510 Standard Duty Deadlatch	52
4530 Standard Duty Deadlatch	54
4781 Two-Point Deadlatch with Paddle	56
4900 Heavy Duty Deadlatch	58
4920AN Heavy Duty Deadlatch (ANSI Size)	60
Options & Accessories	62

FLUSHLOCKS

1870 Series Cylinder-Operated Flushbolt	66
1870HM Cylinder-Operated Flushbolt	68
1877 Cylinder-Operated Flushbolt	70
MS1880 Two-Point Flushbolt	72
MS2180 Auto-Release Two-Point Flushbolt	74
4189, 4190 Flush Locksets (Including Deadlock)	76
4430, 4431 Flush Locksets (Including Deadlock)	78
Options & Accessories	80

EXIT DEVICES

3100 Series Fire-Rated, 8100 Series Life-Safety Surface Vertical Rod Exit Device	82
8200 Series Narrow Stile Surface Vertical Rod Exit Device	84
3300 Series Fire-Rated, 8300 Series Life-Safety Mortise Exit Device	86
8400 Series Life-Safety Narrow Stile Mortise Exit Device	88
3600 Series Fire-Rated, 8500 Series Life-Safety Concealed Vertical Rod Exit Device	90
8600 Series Narrow Stile Concealed Vertical Rod Exit Device	92
3700 Series Fire-Rated, 8700 Series Life-Safety Rim Exit Device	94
8800 Series Narrow Stile Rim Exit Device	96
P8800, P8700 Series Narrow Stile Pullman Exit Device	98
3900 Series Fire-Rated, 8900 Series Life-Safety Surface Concealed Vertical Rod Exit Device	100
8099 Dummy Push Bar	102
Options for 3000/8000 Series Exit Devices	103

ELECTRIC STRIKES

7100 Series Electric Strikes	106
7160, 7170 Electric Strikes	112
7200 Series Electric Strike	116
Ultraline® 7400 Series Electric Strikes	120
Ultraline® 74R1, 74R2 Electric Strikes	126
7800 Electric Strike	130
Options & Accessories	132

TRIM

1000 Series Turns	136
3080 Series Entry Trim	138
eForce® 3090-150 Keyless Entry	142
4550 MS® Deadlock Lever	144
4560 Series Deadlatch Handles	146
4570 ICU Latch Operator	150
4576 ICU Flushbolt with ICU Lever	152
4590 Deadlatch Paddle	154
4591 Deadlatch Paddle	156
4600 Heavy Duty Designer Deadlatch Handles	158

CYLINDERS & ACCESSORIES

4000 Series MS® Deadlock Strikes	161
4015 Threshold Bolt	164
4016 Header Bolt	166
4085 Header Bolt	168
4089 Exit Indicator	170
4800 Series Strikes	172
4901, 4902 Deadlatch Strikes	174
4024, 4025, 4026 Cylinder Pulls	176
4036 Mortise Cylinder, 4066 Thumbturn	178
MS4043 Cylinder Guard	180
B1921 B1923 Reinforcing Pivots	182

POWER

PS-1 Power Supply	186
PS-EXIT Power Supply	188
4612 Power Transfer Device	190
Accessories for Power Supplies	192

NOTE: Adams Rite PS-SE and PS-LR have been discontinued as of November 1, 2020. The PS-EXIT is designed to replace the PS-SE and PS-LR.

GENERAL INFORMATION

MS® Prep, Upgrade Path	2
Icons Glossary	195
Comprehensive Training Opportunities	195
Warranty, Terms & Conditions	196

Updated: May 9, 2024

Experience a safer
and more open world

US adamsrite.com | 800.626.7590 | customerservice.adamsrite@assaabloy.com
Canada assaabloydss.ca | 800.461.3007 | sales.dss.ca@assaabloy.com

Patent pending and/or patent www.assaabloydss.com/patents. Copyright © 2024, Hanchett Entry Systems, Inc., an ASSA ABLOY Group company. All rights reserved. Reproduction in whole or in part without the express written permission of Hanchett Entry Systems, Inc. is prohibited.



RESOURCES

MS® Prep

Adams Rite MS® Prep

What is the MS® Prep?

The MS® Prep is the industry standard lock prep and dominant locking solution for aluminum openings. The MS Prep is identified by the 6-7/8" x 1" cut-out with radius corners and is designed to fit Adams Rite MS deadlocks and deadlatches.

Look for the **MS® Prep** symbol throughout this catalog to help identify these products.

When ordering and installing an Adams Rite lockset, here is some important information to keep in mind:

Stile Prep for Aluminum

Indicates lockbody cutout and cylinder hole.

Mounting Methods

How to mount the lockbody within the Prep.

Mounting Method A

Tube Spacer

Mounting Method B

Mounting Tab

Mounting Method C

Mounting Bridge

Backset

It's important to know the backset used on the stile as this will change the overall depth of the desired lock body. For example, if the backset on the opening is 1-1/8", you will need to ensure that the desired lock body has a matching 1-1/8" backset in order to align properly with the prep on the door.

Backset is the measured distance from the centerline of the cylinder hole to the outside of the stile wall or nose. Use a tape measure or ruler to measure this horizontal dimension.

BACKSET	"A"
7/8" 22.2mm	1-9/16" 34.7mm
31/32" 24.6mm	1-5/8" 41.3mm
1-1/8" 28.6mm	1-25/32" 45.2mm
1-1/2" 38.1mm	2-1/4" 57.2mm

Backset is engraved on the side of MS1850 lock body.

ASSA ABLOY

US adamsrite.com | 800.626.7590 | customerservice.adamsrite@assaabloy.com

Canada assaabloydss.ca | 800.461.3007 | sales.dss.ca@assaabloy.com

Updated: June 4, 2024

Mechanical to Electrical Upgrade Path

How does Adams Rite fit in?

As an architectural brand, Adams Rite offers an effective and affordable mechanical to electrical upgrade path.

Since the launch of the MS1850, Adams Rite has taken this foundational MS* door prep and designed a modular portfolio of mechanical and electromechanical products that provide easy installation and offer simple retrofit solutions for aluminum applications to easily enhance and improve the safety and security of your opening.



A Range of Upgrade Options*

Deadlocks & Deadlatches: A progression of mechanical to electrified to wireless.

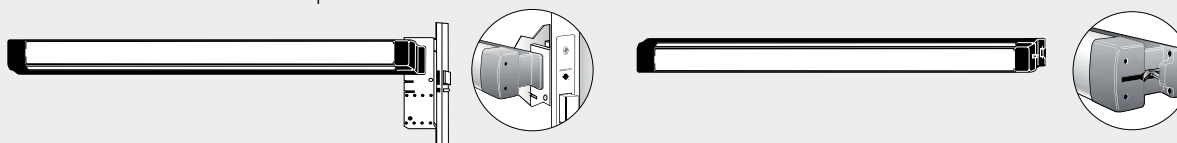
- Backward compatibility allows for the replacement of a mechanical lock with a latch that builds off of the base MS prep
- Electrified deadlatches can be the simplest way to electrify an opening and provide flexible traffic control. They also can be paired in conjunction with an auto-operator.
- Provide compliance to ADA and Single Motion to Egress (ANSI/BHMA A156.41) code requirements when paired with compatible Adams Rite lever or paddle

Electric Strikes: Compatible with Adams Rite deadlatches, exit devices and power supplies for an easy electrified upgrade path.

- Quickly electrifies an opening and can be tied into an existing access control system in conjunction with a card reader or keypad
- Address preload conditions with the preload-capable 7400 Series

Trim: Integrates with existing mechanical Adams Rite deadlocks and deadlatches.

- Electrified trim is great for applications where reusing the existing mechanical lockset is preferred
- Battery operated products provide a simple upgrade when pulling wires is cost prohibitive but access control is required



Exit Devices: Offering access control and code-compliant accessibility; Secure any single or double door application

- Pair with existing trim and an electric strike
- Electrification options include solenoid Electrified Latching (EL & LR) and Motorized Latch Retraction (MLR)

**Functionality and code compliance must always be considered with upgrades. Always consult with your local AHJ for more information.*



| Deadlocks



1830 Series

Swing Bolt Bottom Rail Deadlock

1830 Bottom Rail Deadlock provides bottom rail locking in ultra-narrow stile aluminum or tempered glass doors. Tamper resistant with an armored faceplate, it protects with a minimum threshold strike opening.



Aluminum



Glass

Swinging
Door

Function

For bottom rail locking of ultra-narrow stile or tempered glass doors whose bottom rail (shoe) is too shallow for the MS1861 Bottom Rail Deadbolt. Mechanism is similar to the MS1850S Deadlock, but with the bolt size reduced. This keeps the threshold strike opening to a practical minimum, avoiding collection of debris or snagging on high-heeled shoes. Armored faceplate protects cylinder setscrews from tampering and keeps them from loosening. Not designed for wood door applications.

Operation

360° turn of key or thumbturn projects or retracts the counterbalanced bolt. Key can be removed only when bolt is in a positively locked or unlocked position. Lock accepts any standard 1" [25.4 mm] length, 1-5/32" [29.4 mm] diameter mortise cylinder with MS® cam such as the 4036 Mortise Cylinder or thumbturn such as the 4066 Thumbturn, available separately. Lock accepts cylinder from either or both sides.

Features

Cylinder Height

31/32" [24.6 mm] and
1-1/8" [28.6 mm] only.

Case

Measures 1" x 6" x depth [25.4 mm x 152.4 mm x depth] where depth varies with cylinder height. Steel with corrosion-resistant plating.

Bolt

15/32" x 5/8" x 2-1/8" [11.9 mm x 15.9 mm x 54.0 mm] with 5/8" [15.9 mm] throw. Six-ply laminated steel with eight plies within case. Center ply has alumina-ceramic core to deter hacksaw attack.

Strike

See back page for dimensions of strike slot which can be cut in metal thresholds. 4006 Strike, shown, available separately with stainless steel trim plate and plastic box.

Standard Package

Individually boxed with mounting screws. Cylinder and/or thumbturn available separately.

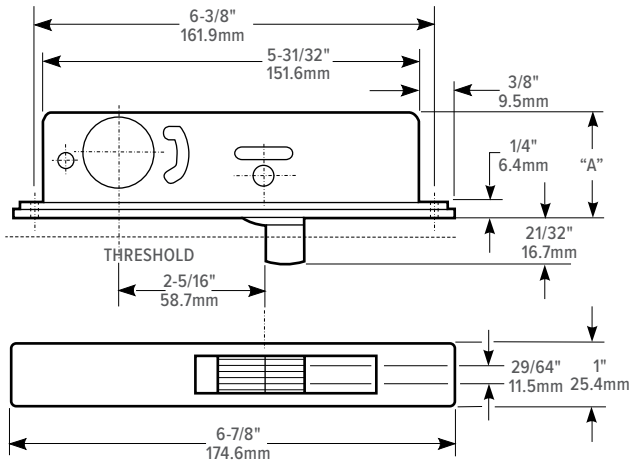
Shipping weight

1-1/2 lbs [0.68 kg]

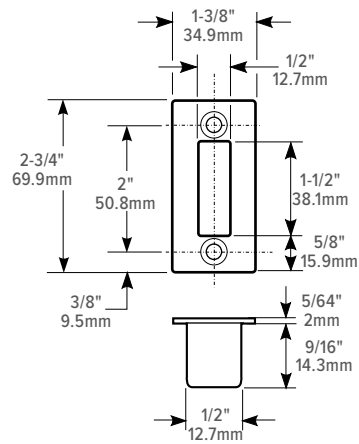
Options

- 4006 Strike, cylinder, thumbturn available separately
- Available in choice of 313 Dark bronze anodized, 628 Clear anodized

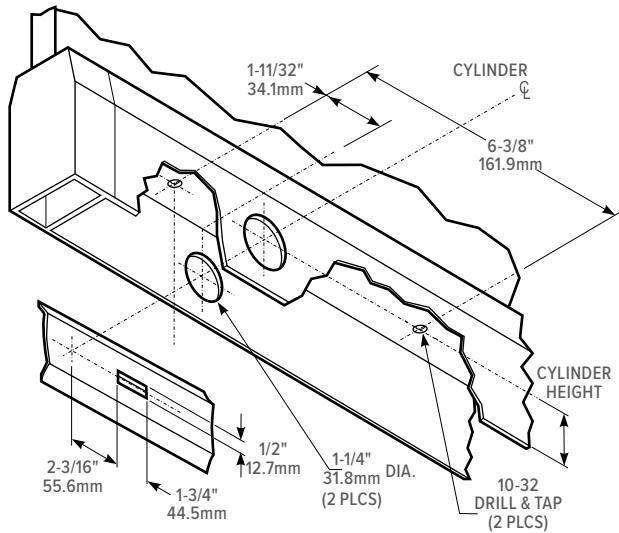
Dimensions



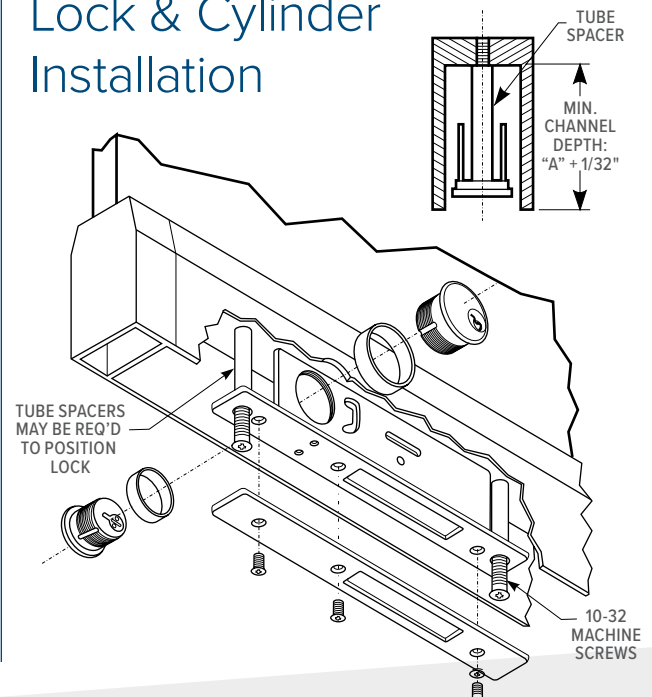
4006 Strike Dimensions



Stile & Threshold Preparation



Lock & Cylinder Installation



How to Order & Related Products

1830 Bottom Rail Deadlock (Swingbolt): Specify quantity and the following information. Order related products separately.

PRODUCT NO.	DASH NO. (SPECIFY FOR CYLINDER HEIGHT AND LOCK DEPTH)	FINISH
1830	-02	-628
	-02 Cylinder Height 31/32" Dim. "A" 1-5/8"	313 Dark Bronze Anodized
	-03 Cylinder Height 1-1/8" Dim. "A" 1-25/32"	628 Clear Anodized

RELATED PRODUCTS

When purchasing this product, please consider the following related products, available separately:

CYLINDERS	ACCESSORIES
Standard 1" length, 1-5/32" diameter mortise cylinder with MS® cam such as 4036 Mortise Cylinder, 4066 Thumbturn; MS4043 Cylinder Guard	4006 strike

MS1837 Series

MS® Two-Point Deadlock

Maximum security for wood door pairs is provided with the MS1837 Two-Point Deadlock. A single turn drops a bolt into the threshold and pivots the MS bolt.



Wood

Swinging
Door

Function

Maximum security for wood door pairs is provided by the MS1837 deadlock with a single turn of a key. Simultaneously dropping a stainless steel hexbolt into the threshold and pivoting the massive MS bolt into the opposite leaf, the MS1837 eliminates inconvenient and sometimes forgotten flushbolts in the inactive leaf.

Operation

360° turn of key or thumbturn projects counterbalanced bolt into opposite door and drops bolt into threshold. Key can be removed only when bolts are in a positively locked or unlocked position. Lock accepts any standard 1" [25.4 mm] length, 1-5/32" [29.4 mm] diameter mortise cylinder with MS® cam such as the 4036 Mortise Cylinder or thumbturn such as the 4066 Thumbturn, available separately. Lock accepts cylinder from either or both sides.



Concealed vertical rod not shown

Features

Cylinder Backset

1-1/2" [38.1 mm] only.

Cylinder Height

36" [914.4 mm] standard. Other cylinder heights available on special order, specify exact height from bottom of door to cylinder center. Maximum cylinder height 65" [1651 mm].

Case

Measures 1" x 6" x 2-3/16" [25.4 mm x 152.4 mm x 55.6 mm]. Steel with corrosion-resistant plate.

Pivoted Bolt

5/8" x 1-3/4" x 2-7/8" [15.9 mm x 44.5 mm x 73.0 mm] with 1-3/8" [34.9 mm] throw. Eight-ply laminated steel with alumina-ceramic core to deter hacksaw attack.

Threshold Bolt

Hexagonal 3/8" [9.5 mm], flat to flat. Stainless steel.

Armored Faceplate

Flat, two-piece plate extends to bottom of door.

Strike

For MS bolt, a 4001-011 Strike Plate with dust box is furnished. Threshold bolt strike can be 1/2" [12.7 mm] diameter hole in metal threshold or, if threshold is wood, 4005 Strike is available separately.

Standard Package

MS lock individually boxed with mounting screws. Hexbolt and rod packed separately with face extension plate, screws, bottom bolt guide, and attachment pin. Cylinder and/or thumbturn available separately.

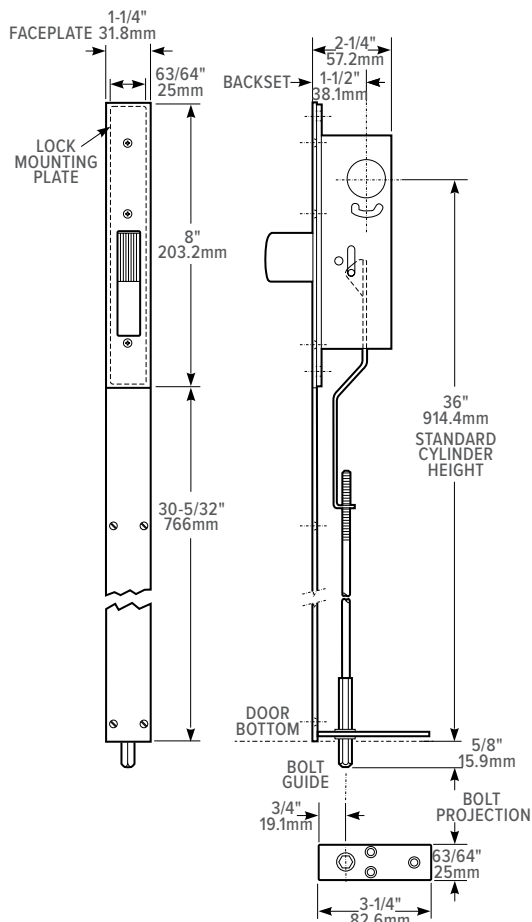
Shipping weight

3 lbs [1.36 kg]

Options

- Available in choice of 313 Dark bronze anodized, 335 Black anodized, 628 Clear anodized, US3 (605) Bright brass, US26D (626) Satin chrome

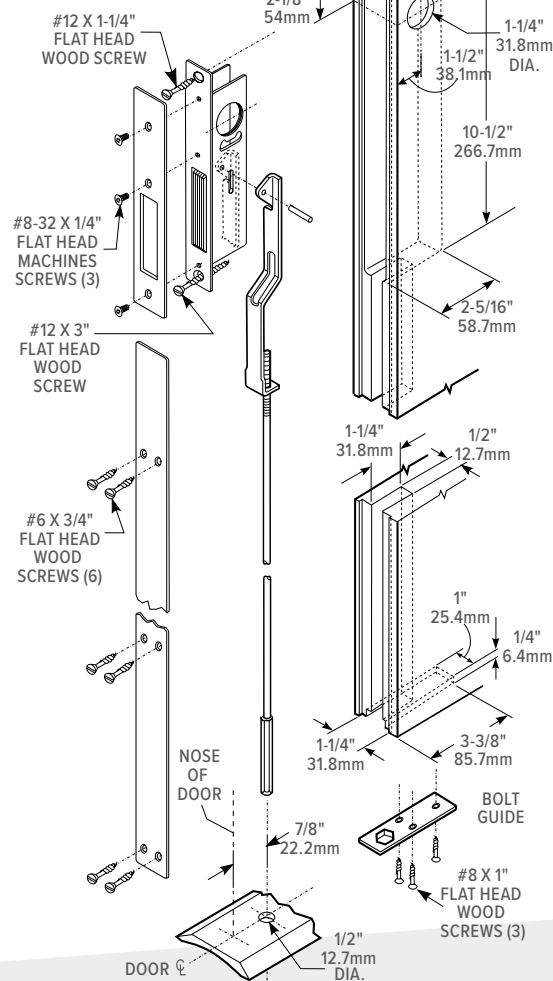
Dimensions



Installation

Install adaptor arm in lock from rear with bolt retracted as shown.

Drive pin through slots in lock side plates, passing through hole in the adaptor arm.



How to Order & Related Products

MS1837 Two Point Deadlock Specify quantity and the following information. Order related products separately.

PRODUCT NO.	FACEPLATE
MS1837	-313
	313 Dark Bronze Anodized
	335 Black Anodized
	605 Bright Brass
	626 Satin Chrome
	628 Clear Anodized

If cylinder height other than 36" is required, specify exact height from bottom of door to cylinder center.

RELATED PRODUCTS

When purchasing this product, please consider the following related products, available separately:

CYLINDERS	ACCESSORIES
Standard 1" length, 1-5/32" diameter mortise cylinder with MS® cam such as 4036 Mortise Cylinder, 4066 Thumbturn	4005 Strike for wooden threshold
MS4043 cylinder guard	

MS1847 Series

MS® Deadlock/Deadlatch

The MS1847 Deadlock/Latch for ultra-narrow stile aluminum sliding doors features a self-protecting bolt with adjustable bolt projection.



Aluminium

Sliding
Door

Function

A compact lock designed to fit within very narrow sliding door stiles without compromising the high degree of security that these doors need. The sturdy stainless steel bolt has two important features not usually found in sliding door hardware. First, it is adjustable: a full 3/16" [4.8 mm] lengthening or shortening of bolt projection is possible by turning an exposed screw in the face of the lock. This can compensate for considerable misalignment between door and jamb. Second, the bolt is self-protecting: if the door is closed with the bolt in the locked position, the bolt will retract immediately upon contact with the jamb, thus preventing damage or accidental lockout.



Operation

Cylinder pulls are available separately for keyed operation. Three hub slot positions allow installation even where jamb and stile design provides severely limited turn clearance.

Features

Case

Measures 1/2" x 3-3/16" x 1-1/8"
[12.7 mm x 80.97 mm x 28.6 mm].
Stainless steel.

Bolt

Three-ply laminated stainless steel.
Designed to withstand approximately
one-half ton of either horizontal or
vertical force. Anti-lift bolt stops both
door-from-jamb pry bar attacks and
attempts to lift the door from its track.

Faceplate

Rectangular face or full radiused
ends (see how-to-order table on
back of page for dash numbers).

Latch Version

The MS1847-11 and MS1847-13 feature
the same stainless steel hookbolt, but
the bolt is spring-loaded for automatic
latching. All dimensions and available
accessories for the MS1847 Deadlocks
also apply to MS1847 Deadlatches.

Standard Package

Case-packed with mounting
screws. Turn and cylinder
pull available separately.

Shipping weight

1/2 lb [0.23 kg].

MS1850S, MS1850S-X5X

Series MS® Deadlocks



Aluminum

Swinging
DoorSliding
DoorMS1850S-
X5X only

MS® Prep

The **MS1850S Series MS® Deadlock** utilizes a laminated stainless steel bolt to provide maximum security for a single leaf narrow stile aluminum door. The **MS1850S-X5X Series MS® Deadlock** utilizes a laminated stainless steel hookbolt to provide maximum security for a sliding narrow stile aluminum door. Both are activated by a pivot mechanism.

Function

A huge bolt of laminated stainless steel, nearly 3" long, activated by an uncomplicated pivot mechanism, has made the basic **MS1850S Series MS® Deadlock** the standard of the narrow stile aluminum door industry. The length of this bolt provides maximum security for a single leaf door, even a very tall and flexible one or an installation where the gap between the door and jamb is greater than it should be.

The **MS1850S-X5X Series MS® Deadlock** answers the security need of sliding narrow stile aluminum doors in commercial, industrial, and institutional buildings. The locking mechanism is identical to the MS1850S Series MS Deadlock, except that the massive laminated bolt is provided in a hook shape to resist the parting motion of sliding door and jamb. The over-center maximum security (MS) locking action assures that forced entry attempts to pry the door in any direction, up, down, or sideways will be defeated.

Special configuration: The **1850S-X2X Series Short Throw Deadlock** utilizes a laminated stainless steel short bolt, activated by a pivot mechanism to secure a single leaf narrow stile aluminum door.

Operation

360° turn of key or thumbturn projects or retracts the counterbalanced bolt. Key can be removed only when bolt is in a positively locked or unlocked position. Lock accepts any standard 1" [25.4 mm] length, 1-5/32" [29.4 mm] diameter mortise cylinder with MS® cam such as the 4036 Mortise Cylinder or thumbturn such as the 4066 Thumbturn, available separately. Lock accepts cylinder from either or both sides.



MS1850S



MS1850S-X5X

Features

Backset

7/8" [22.2 mm], 31/32" [24.6 mm], 1-1/8" [28.6 mm], and 1-1/2" [38.1 mm]. 1850S-X2X not available with 7/8" backset.

Case

Measures 1" x 6" x depth [25.4 mm x 152.4 mm x depth], depth varies by backset (see table on left). Steel with corrosion-resistant plating.

Faceplate

Measures 1" x 6-7/8" [25.4 mm x 174.6 mm].

Strike

See below for dimensions of strike slot which can be cut in metal jamb. Trim plate, box strike, and armored strike are available separately.

Bolt

Eight-ply laminated stainless steel. Center ply has alumina-ceramic core to defeat any hacksaw attack, including rod-type "super" hacksaws.

MS1850S: Standard straight bolt measures 5/8" x 1-3/8" x 2-7/8" [15.9 mm x 34.9 mm x 73.0 mm] with 1-3/8" [34.9 mm] throw.

MS1850S-X5X: Hookbolt measures 5/8" x 1-3/8" [15.9 mm x 34.9 mm] with 13/16" [20.6 mm] throw. Hook shaped bolt repels pry bar attempts to "spread" the door from its jamb or lift it off its track.

1850S-X2X: Short bolt measures 5/8" x 1-3/8" x 2-3/8" [15.9 mm x 34.9 mm x 60.3 mm] with 13/16" [20.6 mm] throw.

Standard Package

Individually boxed with faceplate and mounting screws. Strike plates, cylinders and/or thumbturns available separately.

Shipping Weight

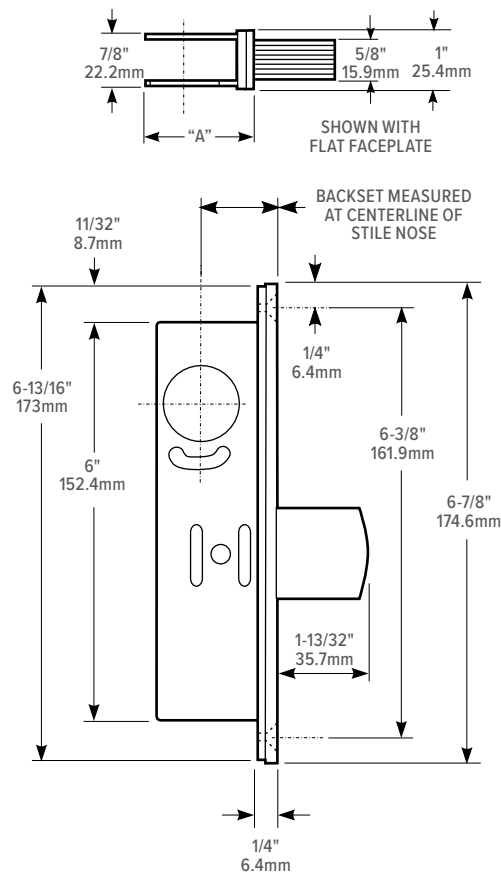
1-1/2 lbs [0.68 kg].

Options

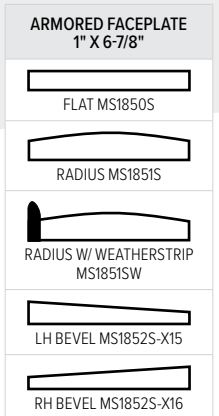
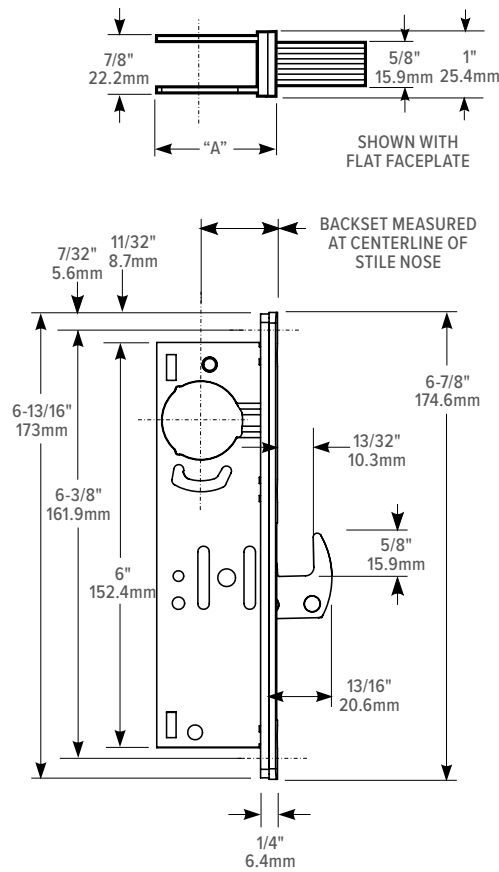
- "SCHOOLHOUSE" version, also available, is modified so that operation from inside is "unlock only". This lock is handed and must be specified LH or RH. Specify SCH1850S or SCH1850S-X5X Series. Same faceplate and backset options as MS1850S and MS1850S-X5X Series.

All measurements are approximate and are provided for informational purposes only. Refer to the product Installation Instructions.

MS1850S Dimensions

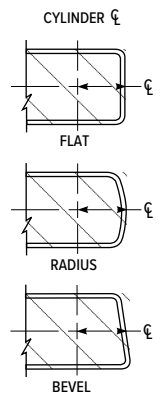


MS1850S-X5X Dimensions

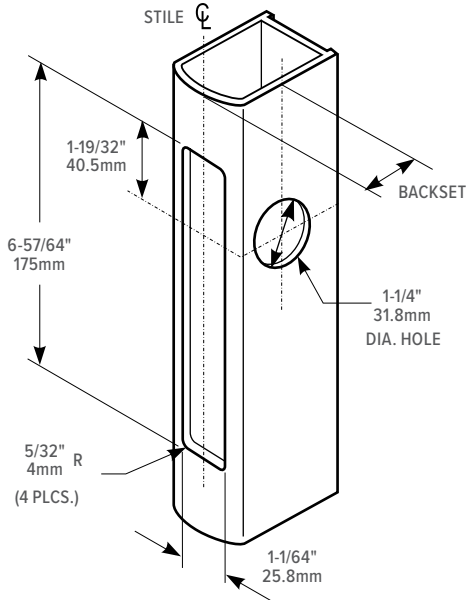


BACKSET	"A"
7/8" 22mm	1-9/16" 34.7mm
31/32" 24.6mm	1-5/8" 41.3mm
1-1/8" 28.6mm	1-25/32" 45.2mm
1-1/2" 38.1mm	2-1/4" 57.2mm

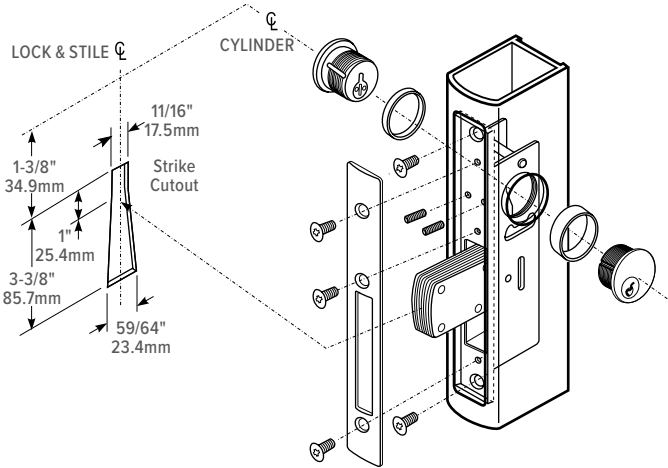
HOW BACKSET IS MEASURED:



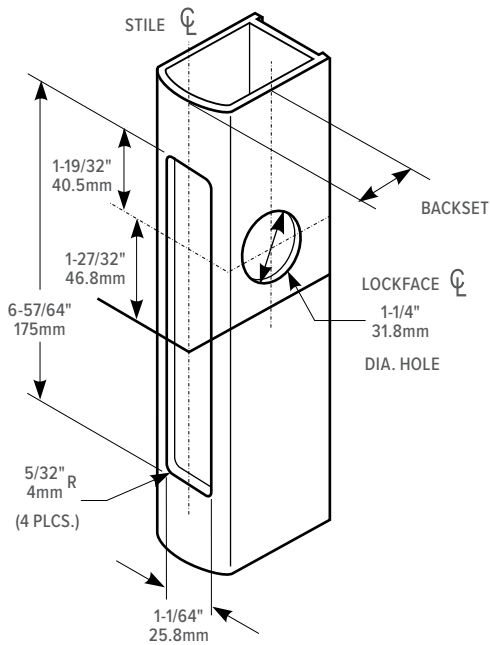
MS1850S Stile Preparation



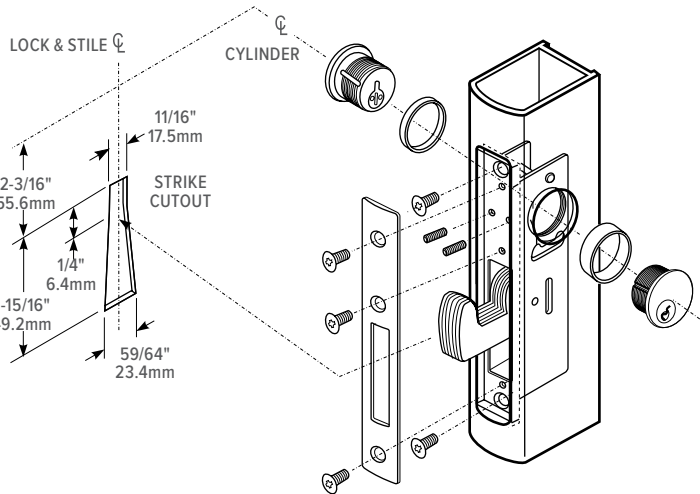
Lock & Cylinder Installation



MS1850S-X5X Stile Preparation



Lock & Cylinder Installation



How to Order & Related Products

MS1850S, MS1850S-X5X Series MS® Deadlock: Specify quantity and the following information. Order related products separately.

PRODUCT NO.	FACEPLATE	BACKSET	BOLT SHAPE	HANDING	FINISH
MS185	OS	-2	1	0	-628
	0S Flat	1 7/8"	1 Straight bolt	0 Non-Handed*	313 Dark Bronze Anodized
	1S Radius	2 31/32"	5 Hookbolt	5 LH or RHR	335 Black Anodized
	1SW Radius with weatherstrip	3 1-1/8"		6 RH or LHR	628 Clear Anodized
	2S Bevel	4 1-1/2"			
	3S Without faceplate, without strike plate				

*Any flat or radius faceplate, except Schoolhouse. Select handing for bevel faceplate only.

1850S-X2X Series Short Throw Deadlock: Specify quantity and the following information. Order related products separately.

MODEL	FACEPLATE	BACKSET	BOLT SHAPE	HANDING	FINISH
185	OS	-2	2	0	-628
	0S Flat	2 31/32"	2 Short Throw	0 Non-Handed*	313 Dark Bronze Anodized
	1S Radius	3 1-1/8"		5 LH or RHR	335 Black Anodized
	2S Bevel	4 1-1/2"		6 RH or LHR	628 Clear Anodized
	3S Without faceplate, without strike plate				

*Any flat or radius faceplate, except Schoolhouse. Select handing for bevel faceplate only.

RELATED PRODUCTS — MS1850S & MS1850S-X5X

When purchasing this product, please consider the following related products, available separately:

TRIM	CYLINDERS	ACCESSORIES	SPECIAL ORDER OPTIONS
3090-150, 4550 Deadlock Lever	Standard 1" length, 1-5/32" diameter mortise cylinder with MS® cam such as 4036 Mortise Cylinder, 4066 Thumbturn; MS4043 Cylinder Guard	4000, 4001, MS4002 Deadlock Strikes 4015 Threshold Bolt, 4016 Header Bolt for multi-point locking. 4085 Header Bolt for pairs of doors Lock mounting accessories and options 4089 Exit Indicator	Schoolhouse function available as special order.

Hollow
Metal

Wood

Swinging
DoorSliding
DoorMS1850SN450
only

MS® Prep

MS1850SN410, MS1850SN450

Series MS® Deadlocks

The ANSI size **MS1850SN410 Series MS® Deadlock** utilizes a laminated stainless steel bolt and the ANSI size **MS1850SN450 Series MS® Deadlock** utilizes a stainless steel hookbolt, both activated by a pivot mechanism to provide maximum security for hollow metal or wood doors.

Function

For hollow metal or wood doors prepared for hardware according to the specifications of the American National Standards Institute (ANSI), the **MS1850SN410 Series MS® Deadlock** provides maximum security and ease of installation. Its standard 1-1/2" [38.1 mm] backset dimension provides adequate clearance for the deep stop on the door jamb of hollow metal entrances.

The ANSI size **MS1850SN450 Series MS® Deadlock** provides maximum security and ease of installation for hollow metal or wood sliding doors. Its standard 1-1/2" [38.1 mm] backset dimension provides adequate clearance for the deep jamb "pocket" of many commercial and industrial entrances. The locking mechanism is identical to the widely used MS1850S Series MS Deadlock, except that the massive laminated bolt is provided in a hook shape to resist the parting motion of sliding door and jamb. The over-center maximum security (MS) locking action assures that forced entry attempts to pry the door in any direction, up, down, or sideways will be defeated. Also useful for swinging doors closing against jambs too shallow for the 1-3/8" [34.9 mm] throw of the MS1850SN410 Series MS® Deadlock.

Operation

360° turn of key or thumbturn projects or retracts the counterbalanced bolt. Key can be removed only when bolt is in a positively locked or unlocked position. Lock accepts any standard 1" [25.4 mm] length, 1-5/32" [29.4 mm] diameter mortise cylinder with MS® cam such as the 4036 Mortise Cylinder, available separately or thumbturn such as the 4066 Thumbturn, available separately. Lock accepts cylinder from either or both sides.



MS1850SN410



MS1850SN450

Features

Backset

1-1/2" [38.1 mm] available only

Case

Measures 1" x 6" x 2-1/4"
[25.4 mm x 152.4 mm x 57.2 mm]. Steel
with corrosion-resistant plating.

Bolt

Eight-ply laminated stainless steel. Center ply
has alumina-ceramic core to defeat any hacksaw
attack, including rod-type "super" hacksaws.

MS1850SN410: Standard straight bolt measures
5/8" x 1-3/8" x 2-7/8" [15.9 mm x 34.9 mm x
73.0 mm] with 1-3/8" [34.9 mm] throw.

MS1850SN450: Hookbolt measures 5/8" x 1-3/8"
[15.9 mm x 34.9 mm] with 13/16" [20.6 mm] throw.
Hook shape repels pry bar attempts to "spread"
the door from its jamb or lift it off its track.

Faceplate

Measures 1-1/4" x 8" [31.8 mm x 203.2 mm].

Strike

See below for dimensions of strike slot which
can be cut in metal jamb. Lipped, ANSI-spec,
and other strike plates available separately.

Standard Package

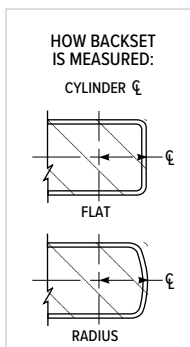
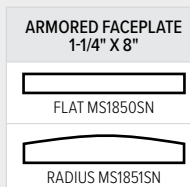
Individually boxed with faceplate and
mounting screws. Strike plates, cylinders and/
or thumbturns available separately.

Shipping Weight

1-1/2 lbs [0.68 kg].

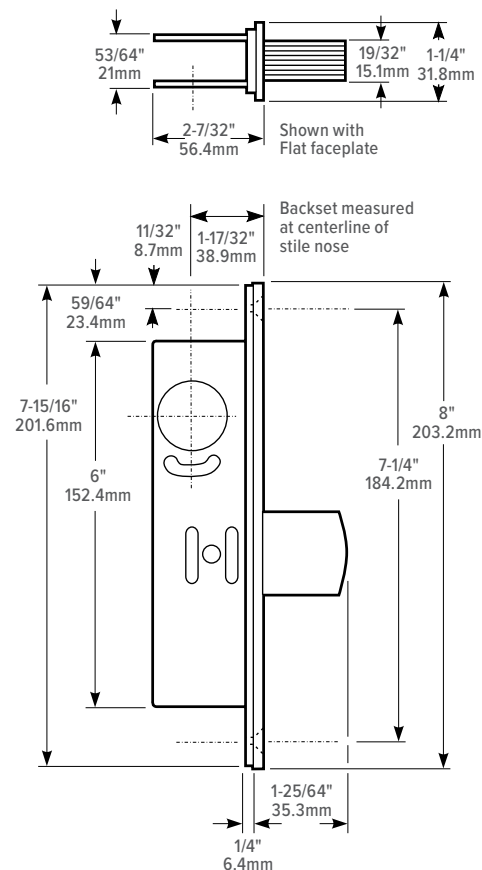
Options

- "SCHOOLHOUSE" version, also available, is
modified so that operation from inside is "unlock
only". Specify SCH1850SN410 or SCH1850SN450
Series. Same faceplate and backset options as
MS1850SN410 or MS1850SN450 Series.

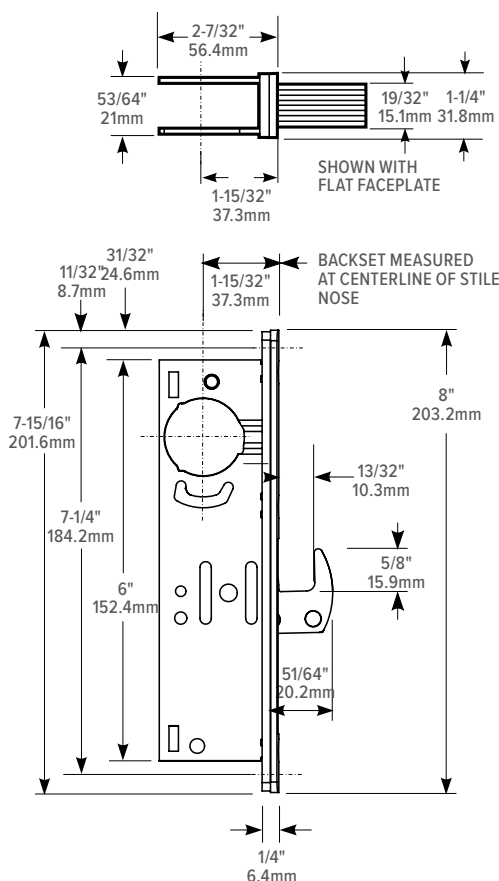


All measurements are approximate and are provided for informational purposes only.
Refer to the product Installation Instructions.

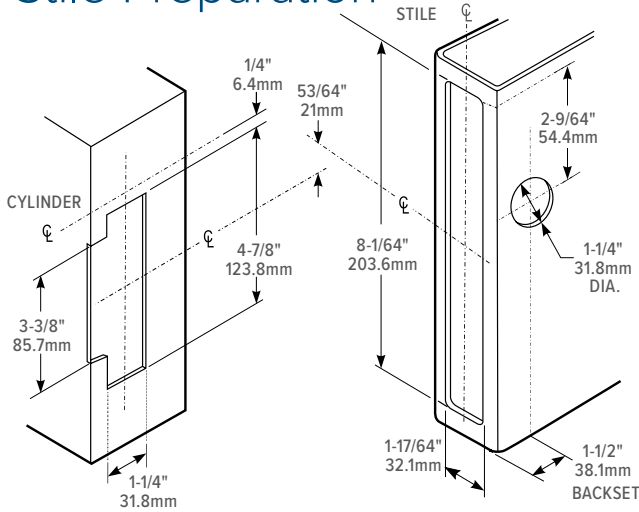
MS1850SN410 Dimensions



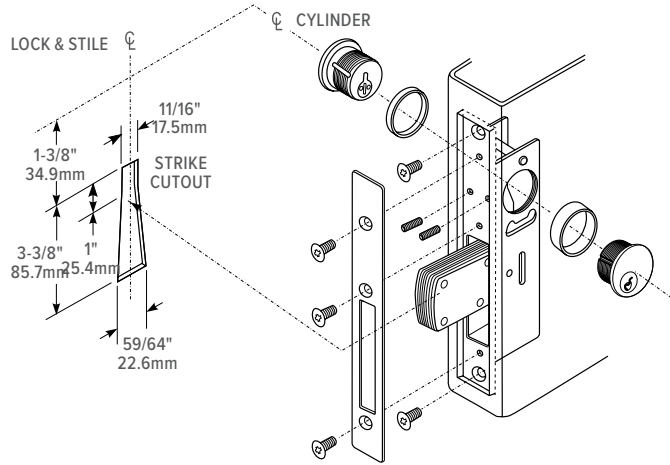
MS1850S450 Dimensions



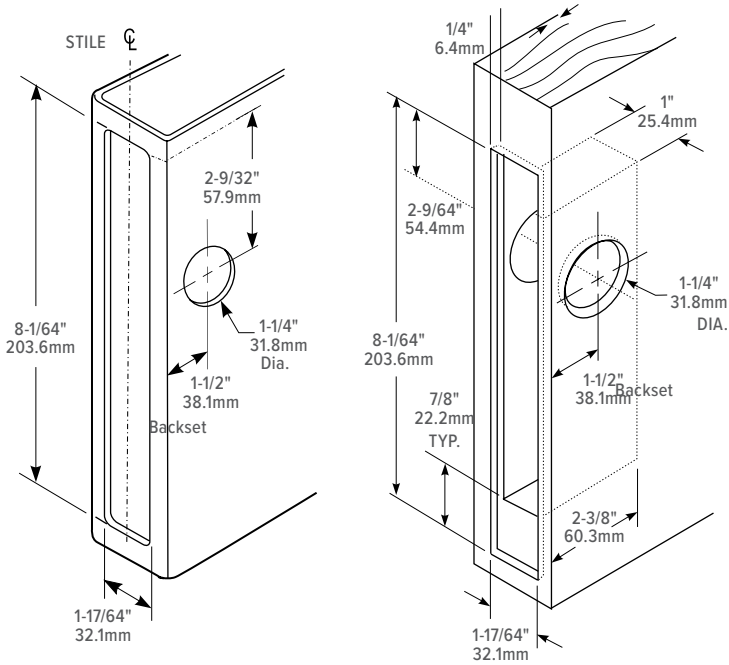
MS1850SN410 Stile Preparation



Lock & Cylinder Installation

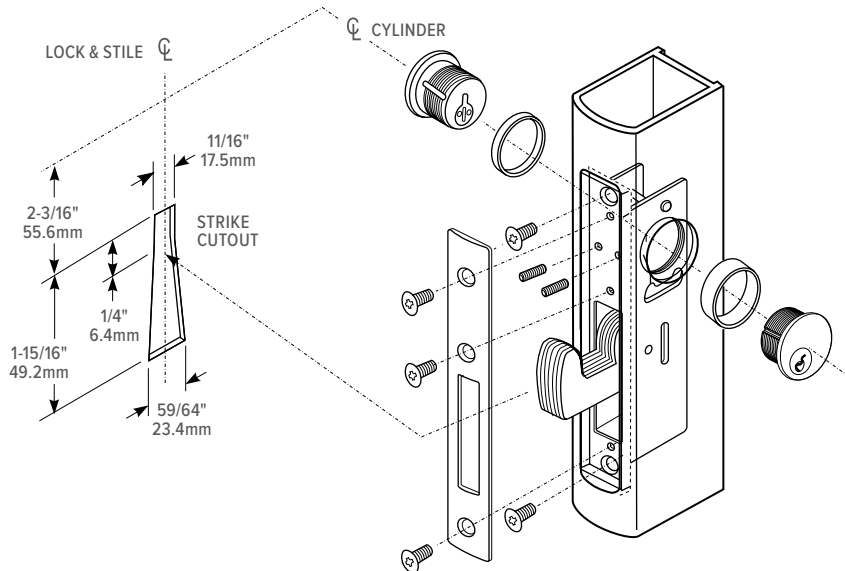


MS1850S450 Stile & Wood Preparation



MS1850S450

Lock & Cylinder Installation



How to Order & Related Products

MS1850SN410, MS1850SN450 Deadlock: Specify quantity and the following information. Order related products separately.

MODEL	FACEPLATE	ANSI SIZE	BOLT SHAPE	FINISH
MS185	0	SN	410	628
	0 Flat		410 Straight bolt	313 Dark Bronze Anodized
	1 Radius		450 Hookbolt	335 Black Anodized
				628 Clear Anodized

*Any flat or radius faceplate, except Schoolhouse.

RELATED PRODUCTS – MS1850SN410 & MS1850SN450

When purchasing this product, please consider the following related products, available separately:

TRIM	CYLINDERS	ACCESSORIES	SPECIAL ORDER OPTIONS
3090-150, 4550 Deadlock Lever	Standard 1" length, 1-5/32" diameter mortise cylinder with MS® cam such as 4036 Mortise Cylinder, 4066 Thumbturn; MS4043 Cylinder Guard	4000, 4001, MS4002 Deadlock Strikes 4015 Threshold Bolt, 4016 Header Bolt for multi-point locking. 4085 Header Bolt for pairs of doors Lock mounting accessories and options 4089 Exit Indicator	Schoolhouse function available as special order.

MS1861 Series

MS® Bottom Rail Deadbolt



Aluminium



Glass

Swinging
DoorSliding
Door

MS1861 Bottom Rail Deadbolt provides maximum security with MS deadbolt locking mechanism. It utilizes hardened steel bolts for the limited space of ultra-narrow stile doors.



Function

The MS1861 lies horizontally in the bottom rail of ultra-narrow stile doors which have insufficient vertical space for a lock, or tempered glass doors which have no stile at all. The hardened steel cylindrical bolts allow simple drilled strike holes of a relatively small size to minimize the nuisance and danger presented by some threshold strikes in collecting debris or snagging on high-heeled shoes. MS1861-02 locks either single-leaf or pairs of doors. Not recommended for wood doors.

Operation

360° turn of key or thumbturn projects or retracts bolt(s). Key can be removed only when bolts are in a positively locked or unlocked position. Lock accepts any standard 1" [25.4 mm] length, 1-5/32" [29.4 mm] diameter mortise cylinder with MS® cam such as the 4036 Mortise Cylinder or thumbturn such as the 4066 Thumbturn, available separately. Lock accepts cylinder from either or both sides.

Features

Cylinder Backset

Minimum backset is approximately 2-1/4" [57.2 mm] for the MS1861-01 configuration with vertical bolt only. The MS1861-02 configuration with both vertical and horizontal bolts requires placement of cylinder center line 5-3/4" [146.1 mm] from nose of door. Both have cylinder center 1-7/8" [47.6 mm] above bottom edge of door.

Case

Measures 1" x 6" x 1-13/16" [25.4 mm x 152.4 mm x 46.0 mm]. Steel with corrosion-resistant plating.

Bolt

3/8" [9.5 mm] diameter. Stainless steel vertical threshold bolt has 13/16" [20.6 mm] throw. Hardened steel horizontal bolt has 1-1/8" [28.6 mm] throw.

Strike

In metal installation, 7/16" [11.1 mm] drilled holes in threshold are required. For MS1861-02 configuration with both vertical and horizontal bolts, drilled holes are also required in jamb or opposite door.

Standard Package

Individually boxed with mounting screws. Cylinder and/or thumbturn available separately. If required, tube spacers are available separately.

Shipping weight

MS1861-01: 1-3/4 lbs [0.79 kg],
MS1861-02: 2 lbs [0.91 kg]

Options

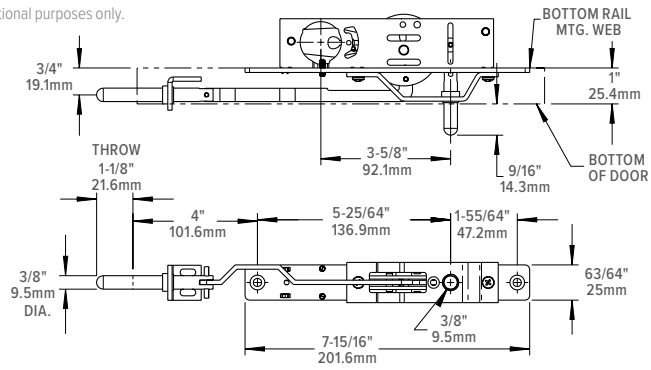
- Vertical bolt only (-01)
- Vertical and horizontal bolts (-02)

All measurements are approximate and are provided for informational purposes only. Refer to the product Installation Instructions.

Dimensions

Unit illustrated is MS1861-02. (Both horizontal & vertical bolts included.)
Part number for vertical bolt operation only is MS1861-01. Conversion Kit no.

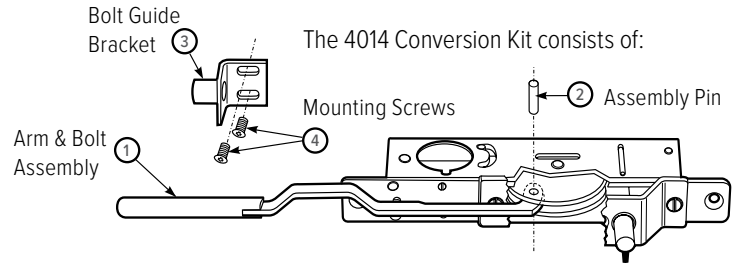
4014 available to convert MS1861-01 to MS1861-02.



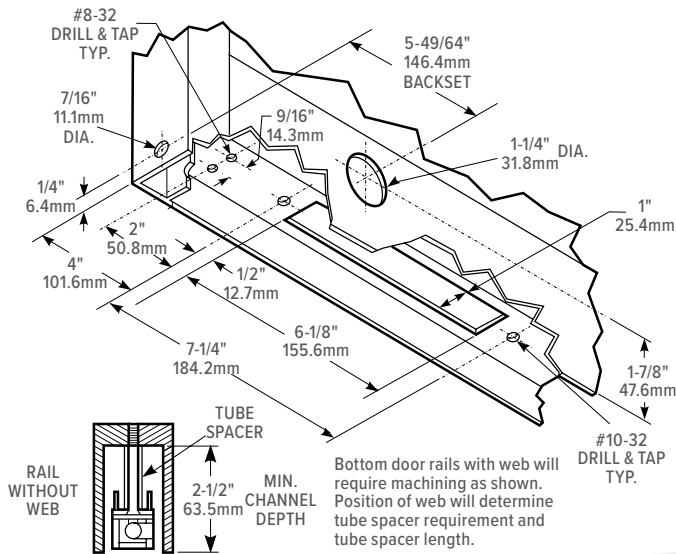
4014 Conversion Kit

To convert MS1861-01 to MS1861-02, 4014 Conversion Kit provides horizontal bolt assembly with guide and attachment fittings.

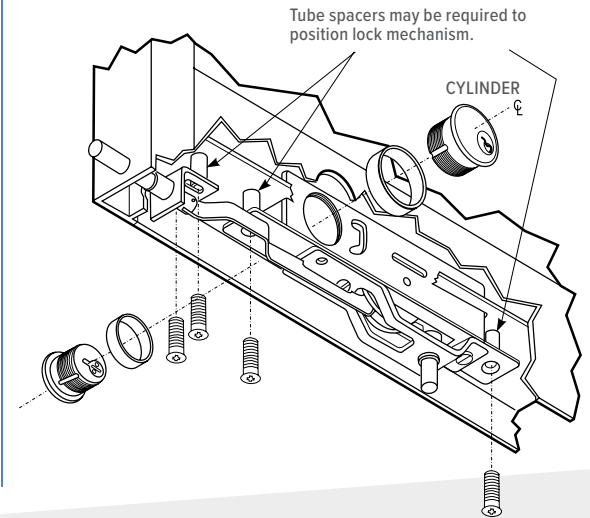
To assemble, press pin through disc and arm.



Rail Preparation



Lock & Cylinder Installation



How to Order & Related Products

MS1861 Series MS® Bottom Rail Deadlock: Specify quantity and the following information. Order related products separately.

MODEL	BOLT OPERATION	FINISH	PACKAGING
MS1861	-01	-603	-IB
	01 Vertical Bolt Only	603 Zinc plated steel	IB Individually Boxed
	02 Vertical and Horizontal Bolts		

If tube spacers are required, specify QUANTITY and LENGTH..

RELATED PRODUCTS

When purchasing this product, please consider the following related products, available separately:

CYLINDERS	ACCESSORIES
Standard 1" length, 1-5/32" diameter mortise cylinder with MS® cam such as 4036 Mortise Cylinder, 4066 Thumbturn MS4043 Cylinder guard	4014 Conversion Kit for multi-point locking. MS1861 may be ordered with vertical and horizontal bolts (Bolt Operation option 2). Tube spacers (26-00090XX)"



1875

Two-Point Deadlock

1875 Two-Point Deadlock provides security for roll-up doors, security screens, or similar doors. Two-point locking is achieved using two bolts, which are operational from either or both sides of the deadlock.



Function

For overhead doors, roll-up security screens, or similar doors. Provides turn operation of two bolts from either or both sides. Accepts standard mortise cylinders for key control of bolts to secure them in either projected or retracted position.

Operation

90° rotation of turn projects or retracts bolts. 360° turn of key deadlocks mechanism, preventing operation of the turn in either locked or unlocked position. Lock accepts any standard 1" [25.4 mm] length, 1-5/32" [29.4 mm] diameter mortise cylinder with MS® cam such as the 4036 Mortise Cylinder or thumbturn such as the 4066 Thumbturn, available separately. Lock accepts cylinder from either or both sides.

Features

Cylinder Backset

Bolt arms require inside stile clearance of 1-11/16" [42.9 mm] on one side of cylinder center, 1" [25.4 mm] on the other.

Case

Measures 1" x 6" x 2-5/8" [25.4 mm x 152.4 mm x 66.7 mm]. Steel with corrosion-resistant plating.

Bolt Arms

1-1/32" [26.2 mm] throw. Threaded for 1/4" – 20 rods. Because of design variations in this type of door, no standard bolt can be offered to fit all makes of doors. Please contact factory for more information on bolts, rods, bolt guides, and strikes to fit individual door designs.

Turn

4060 Turn: Available separately. Zinc alloy escutcheon and handle. Available in 130 to match 628 Clear Anodized finish. Steel spindle is also available to accommodate various door thicknesses.

Standard Package

Individually boxed. Cylinder and/or thumbturn available separately.

Shipping weight

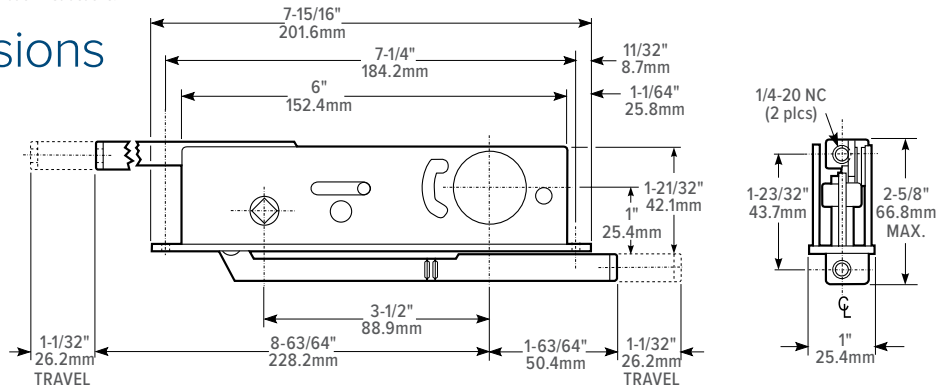
1-1/2 lbs [0.68 kg]

Options

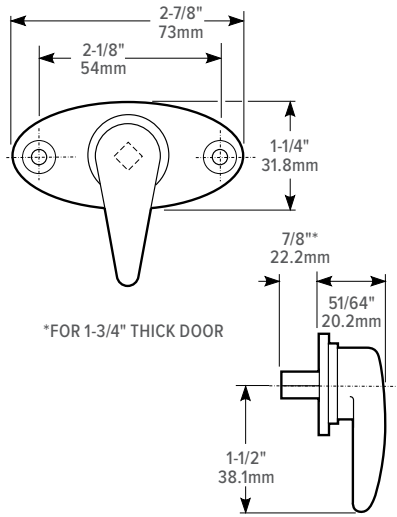
- 4060 Turn available separately with choice of spindle lengths
- Bolt, connecting rod, bolt guide, strike available separately by special order

All measurements are approximate and are provided for informational purposes only. Refer to the product Installation Instructions.

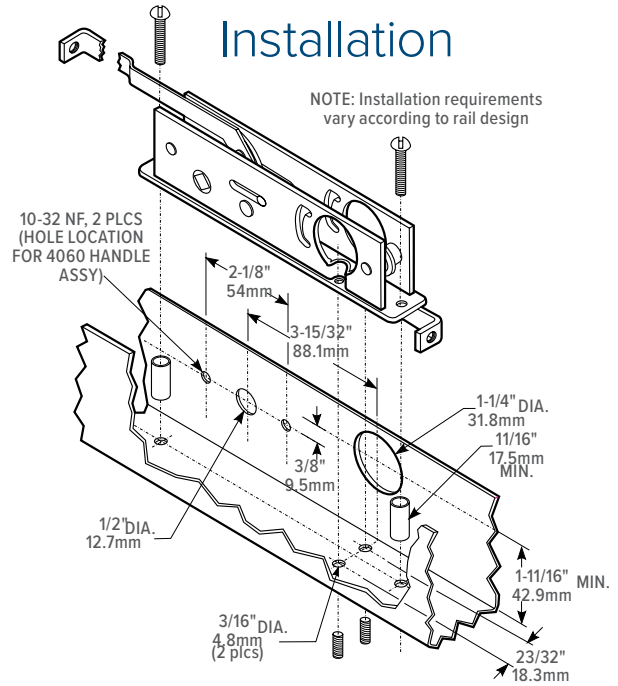
Dimensions



4060 Turn



Installation



How to Order & Related Products

1875 Two Point Deadlock: Specify quantity and the following information. Order related products separately.

MODEL	PACKAGING
1875	-IB
	IB Individually Boxed

4060 Turn: Specify quantity and the following information. Order related products separately.

MODEL	DOOR THICKNESS	FINISH
4060	-05	-130
	05 1-1/2"	130 To match 628 Clear Anodized
	06 1-3/4"	
	07 2"	

RELATED PRODUCTS When purchasing this product, please consider the following related products, available separately:

CYLINDERS	ACCESSORIES	SPECIAL ORDER OPTIONS
Standard 1" length, 1-5/32" diameter mortise cylinder with MS® cam such as 4036 Mortise Cylinder, 4066 Thumbturn	MS4043 Cylinder guard	4060 Turn
		31-0278-XX Bolt and Connecting Rod Assembly by special order only.

MS+1890 Series

MS® Deadlock/Deadlatch

MS+1890 Series MS Deadlock/Deadlatch provides a maximum security deadlock for after hour and traffic control with deadlatch convenience during business hours.



Aluminum

Swinging
Door

MS® Prep



Function

Maximum security MS+ deadlock after hours, plus the convenience of traffic control management during the business day. Typical installation is a bank or store requiring three modes of door control:

1. Both lock and latchbolts retracted for unrestricted entry and exit during business hours
2. Handle-operated latch for exit-only traffic just after closing
3. Maximum security MS hookbolt for overnight lockup. When using trim (available separately) to activate, handle or paddle operates latchbolt only.

Operation

360° turn of key or thumbturn projects or retracts the hookbolt. 120° further turn retracts latchbolt as well. Lock accepts any standard 1" [25.4 mm] length, 1-5/32" [29.4 mm] diameter mortise cylinder with MS® cam such as the 4036 Mortise Cylinder, or thumbturn such as the 4066 Thumbturn, available separately. Lock accepts cylinder from either or both sides. When using trim (available separately) to activate, handle retracts spring-loaded latchbolt only. For door thickness other than 1-3/4", please contact factory.

Features

Cylinder Backset

31/32" [24.6 mm], 1-1/8" [28.6 mm], or 1-1/2" [38.1 mm].

Case

Measures 1" x 7-3/8" x depth [25.4 mm x 187.3 mm x depth], depth varies by backset (see table on back of page). Steel with corrosion-resistant plating.

Bolt

Deadlock bolt: 5/8" x 1-3/8" [15.9 mm x 34.9 mm] with 13/16" [20.6 mm] throw. Eight-ply laminated stainless steel. Center ply has alumina-ceramic core to defeat any hacksaw attack, including rod-type "super" hacksaws, while hook shape repels pry bar attempts to "spread" the door from its jamb or lift it off its track.

Latchbolt: Measures 5/8" x 5/8" [15.9 mm x 15.9 mm] with 7/16" [11.1 mm] throw. Zinc alloy with Delrin

face for smooth, quiet action. Hanging easily reversible. Bolt can be held fully retracted to allow door to be free swinging (see illustration on back of page).

Strike

Armored strike with satin stainless steel trimplate with steel mounting plate and dust box. Flat strike furnished. Also available for pairs of doors in radius shape, or flat with square corners for ANSI hollow metal jambs. Flat strikes also available with longer lip.

MS+1890 Deadlock/Latch cannot be used with electric strikes.

Standard Package

Individually boxed with strike and machine screws for mounting. Cylinder and/or thumbturn available separately.

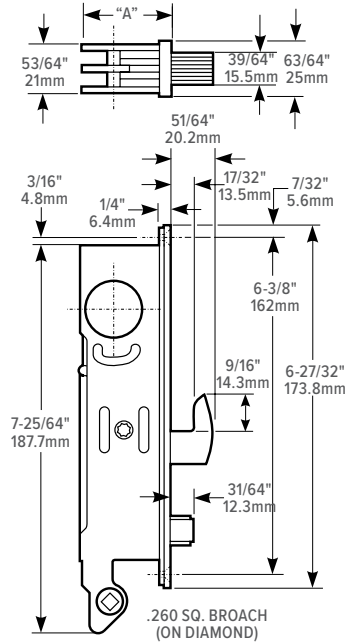
Shipping weight

2 lbs [.91 kg]

Options

- Handle, paddle available separately for one side only or both sides. Handles, paddles on both sides solve, with minimum traffic impediment, the problem of doors that stand ajar due to wind or air-conditioning pressures.
- Available in right hand or left hand configurations
- Available in choice of 313 Dark bronze anodized, 335 Black anodized, 628 Clear anodized

Dimensions

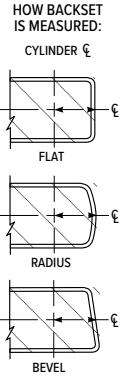
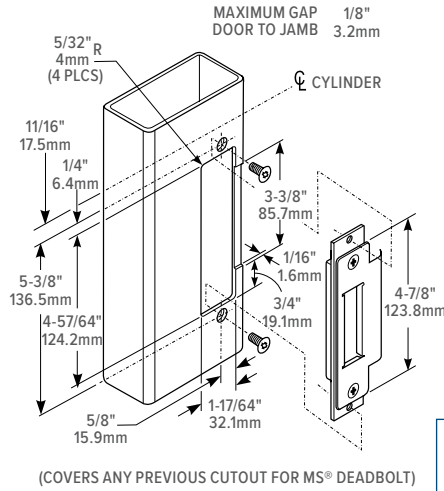


All measurements are approximate and are provided for informational purposes only. Refer to the product Installation Instructions.

MS+1890 Series MS® Deadlock/Deadlatch

25 DEADLOCKS

Jamb Preparation

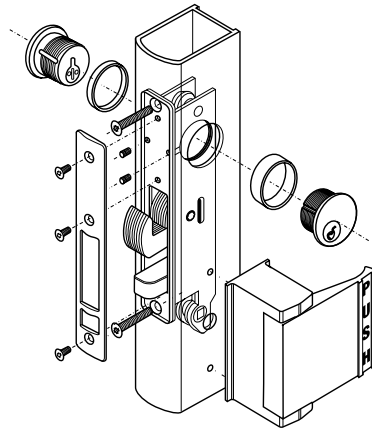


BACKSET	"A"
31/32" 24.6mm	1-5/8" 41.3mm
1-1/8" 28.6mm	1-25/32" 45.2mm
1-1/2" 38.1mm	2-1/4" 57.2mm

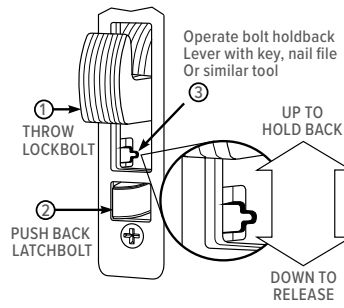
ARMORED FACEPLATE 1" X 6-7/8"

FLAT MS+1890
RADIUS MS+1891
RADIUS W/ WEATHERSTRIP MS+1891W
LH BEVEL MS+1892 (LH)
RH BEVEL MS+1892 (RH)

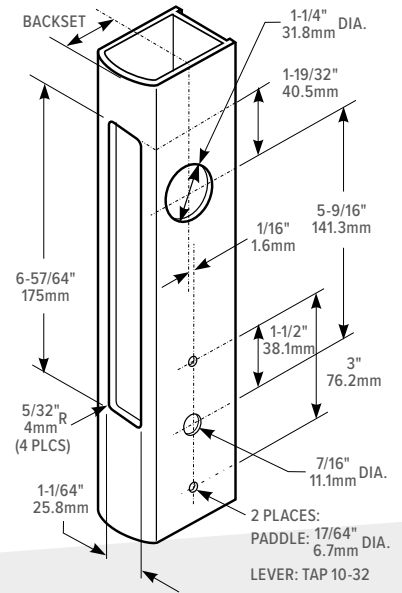
Latch/Lock, Cylinder & Paddle Installation



Latch Holdback Instructions



Stile Preparation



How to Order & Related Products

MS+1890 Series MS® Deadlock/Deadlatch: Specify quantity and the following information. Order related products separately.

MODEL	FACEPLATE	BACKSET	STRIKE SHAPE/LIP LENGTH	HANDING	FINISH
MS+189	1	-3	02	6	-628
	0 Flat	2 31/32"	01 Flat/Standard Jamb	5 LH or RHR	313 Dark Bronze Anodized
	1 Radius	3 1-1/8"	02 Radius/Standard Stile	6 RH or LHR	335 Black Anodized
	1W Radius with weatherstrip	4 1-1/2"	17 Flat/Center Hung 4" Jamb		628 Clear Anodized
	2 Bevel		21 Flat/Center Hung 4-1/2" Jamb		
	3 Without faceplate, without strike plate				

For door thickness other than 1-3/4", contact factory.

RELATED PRODUCTS

When purchasing this product, please consider the following related products, available separately:

TRIM	CYLINDERS	ACCESSORIES
4560, 4565 Deadlatch Handles, 4568, 4569 Eurostyle Deadlatch Handles, 4590, 4591 Deadlatch Paddles.	Standard 1" length, 1-5/32" diameter mortise cylinder with MS® cam such as 4036 Mortise Cylinder, 4066 Thumbturn; MS4043 Cylinder Guard	Trim strikes, including 4505 armored strike. 4089 Exit Indicator



Aluminium

Swinging
Door

MS1950P only

Sliding
DoorMS1950P-X5X
only

MS® Prep

MS1950P, MS1950P-X5X Series MS® Deadlocks

The fully stainless steel **MS1950P Series MS Deadlock** utilizes a laminated stainless steel bolt, now with enhanced security features to provide maximum security for a single leaf aluminum door.

The fully stainless steel **MS1950P-X5X Series MS Deadlock** utilizes a laminated stainless steel hookbolt, now with enhanced security features to provide maximum security for a sliding aluminum door.

Both are activated by a pivot mechanism.

Function

A 3" laminated stainless steel bolt and complete stainless steel construction makes the heavy duty **MS1950P MS® Deadlock** a higher security, premium locking solution for swinging doors.

The MS1950P is compatible with header and threshold bolts to accommodate multi-point locking in a double door application.

The stainless steel hookbolt of the **MS1950P-X5X Series MS® Deadlock** answers the security need of sliding doors. The hook shaped bolt resists the parting motion of sliding door and jamb.

Operation

For ingress, a 360° turn of the key or thumbturn on the exterior cylinder retracts the counterbalanced bolt. While the bolt is retracted the door acts as a passage function, until the deadlock is re-locked from either side of the opening. Typically, if the door remains unlocked during business hours, the interior side is equipped with a mortise cylinder and indicator to allow for flexible traffic control by management. An interior thumbturn to lock the bolt and a 4550 lever can also be installed on the interior side to ensure free egress & ADA compliance.

Key can be removed only when bolt is in a locked or unlocked state. Lock body accepts a mortise cylinder, thumbturn, 4089 indicator, or 4550 deadlock lever from either side.



MS1950P



MS1950P-X5X

Features

Cylinder Backset

31/32" [24.6 mm], 1-1/8" [28.6 mm], or 1-1/2" [38.1 mm] only.

Case

Measures 1" x 6" x depth [25.4 mm x 152.4 mm x depth], depth varies by backset (see table left). Fully stainless steel case and internal components. Internal stainless steel plate for enhanced security.

Bolt

Eight-ply laminated stainless steel. Center ply has alumina-ceramic core to defeat any hacksaw attack, including rod-type "super" hacksaws.

MS1950P Bolt: Standard straight bolt measures 5/8" x 1-3/8" x 2-7/8" [15.9 mm x 34.9 mm x 73.0 mm] with 1-3/8" [34.9 mm] throw.

MS1950P-X5X Bolt: 5/8" x 1-3/8" [15.9 mm x 34.9 mm] with 13/16" [20.3 mm] throw. Hook shape repels pry bar attempts to "spread" the door from its jamb or lift it off its track.

Faceplate

Measures 1" x 6-7/8" [25.4 mm x 174.6 mm].

Strike

See next page for dimensions of strike slot which can be cut in metal jamb. Trim plate, box strike, and armored strike are available separately.

Standard Package

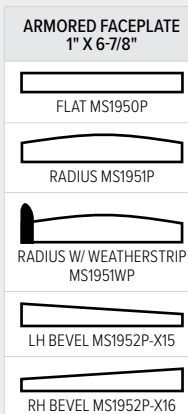
Individually boxed with machine screws for mounting. Cylinders and/or thumbturns available separately.

Shipping weight

1-1/2 lbs. [0.68 kg]

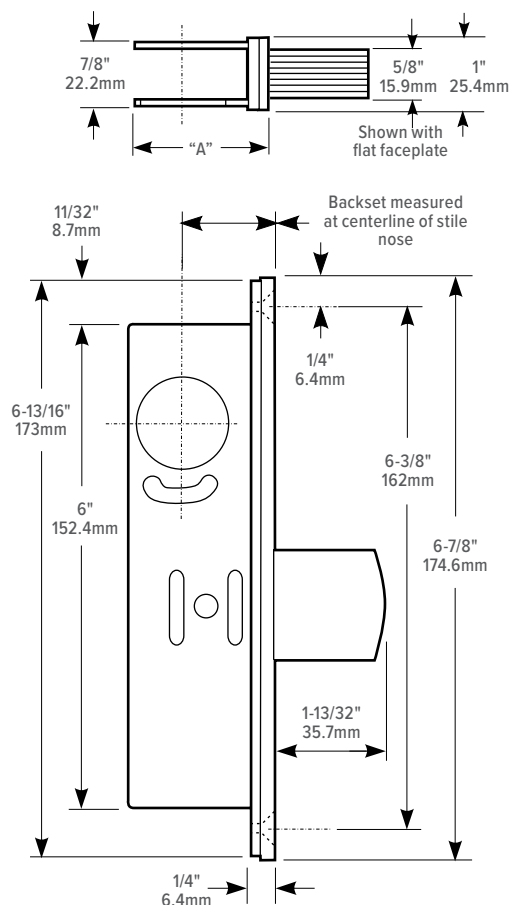
Options

- "SCHOOLHOUSE" version, also available, is modified so that operation from inside is "unlock only". This lock is handed and must be specified LH or RH. Specify Series SCH1950, (-X5X). Same faceplate and backset options as Series MS1950P, (-X5X).

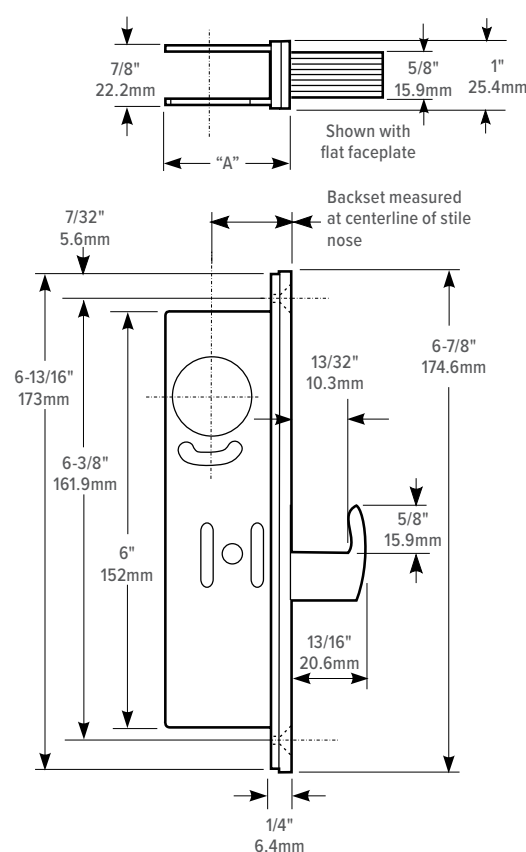


All measurements are approximate and are provided for informational purposes only. Refer to the product Installation Instructions.

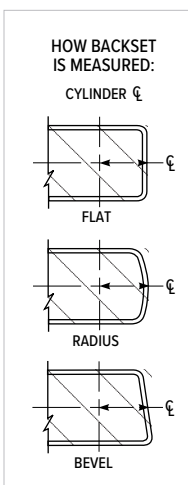
MS1950P Dimensions



MS1950P-X5X Dimensions

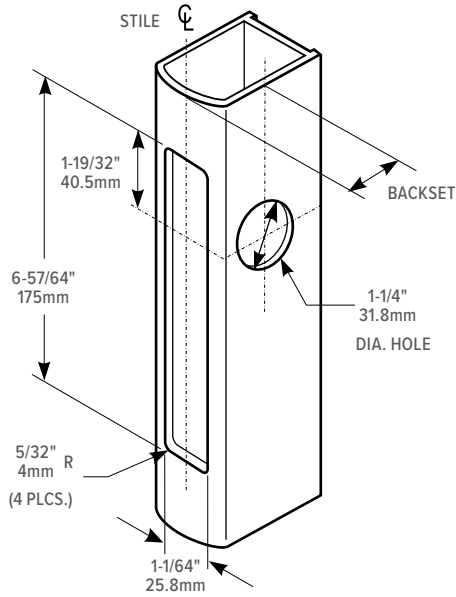


BACKSET	"A"
31/32" 24.6mm	1-5/8" 41.3mm
1-1/8" 28.6mm	1-25/32" 45.2mm
1-1/2" 38.1mm	2-1/4" 57.2mm

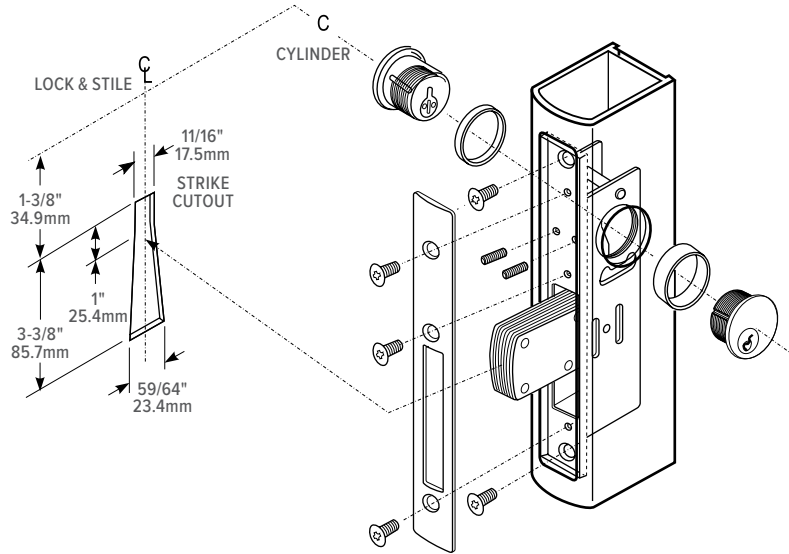


All measurements are approximate and are provided for informational purposes only. Refer to the product Installation Instructions.

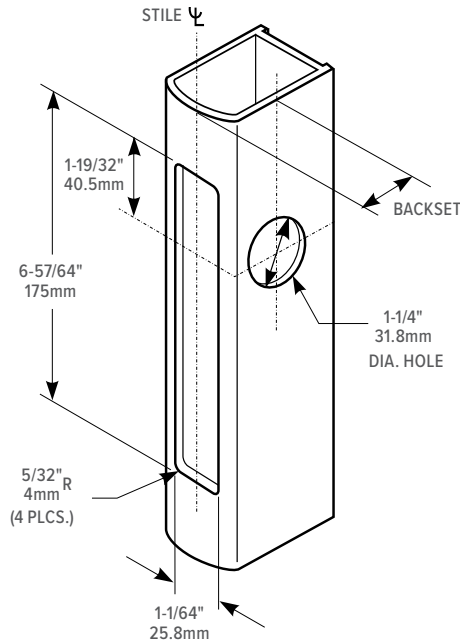
MS1950 Stile Preparation



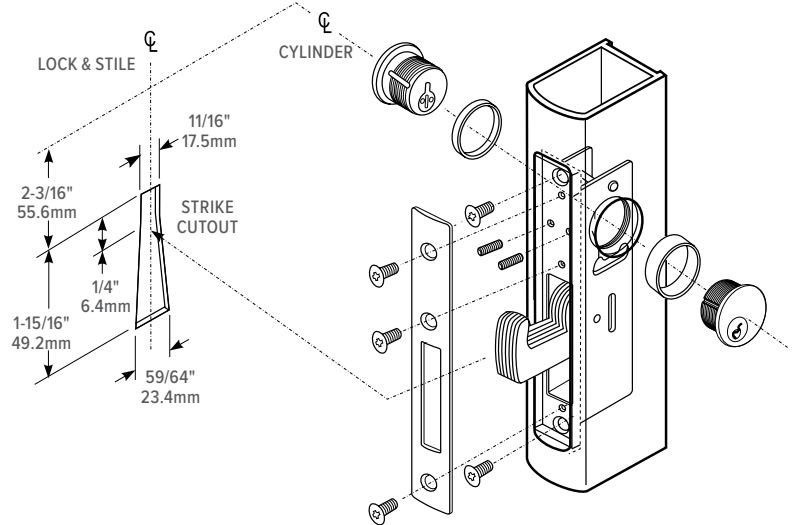
Lock & Cylinder Installation



MS1950-X5X Stile Preparation



Lock & Cylinder Installation



How to Order & Related Products

MS1950, MS1950-X5X Series MS® Deadlock: Specify quantity and the following information. Order related products separately.

MODEL	FACEPLATE	BACKSET	BOLT SHAPE	HANDING	FINISH
MS195	OP	-2	1	0	-628
	0P Flat	2 31/32"	1 Straight bolt	0 Non-Handed*	313 Dark Bronze Anodized
	1P Radius	3 1-1/8"	5 Hookbolt	5 LH or RHR	335 Black Anodized
	1WP Radius with weatherstrip	4 1-1/2"		6 RH or LHR	628 Clear Anodized
	2P Bevel				
	3P Without faceplate, without strike plate				

*Any flat or radius faceplate, except Schoolhouse. Select handing for bevel faceplate only.

RELATED PRODUCTS

When purchasing this product, please consider the following related products, available separately:

TRIM	CYLINDERS	ACCESSORIES	SPECIAL ORDER OPTIONS
3090-150, 4550 Deadlock Lever	Standard 1" length, 1-5/32" diameter mortise cylinder with MS® cam such as 4036 Mortise Cylinder, 4066 Thumbturn; MS4043 Cylinder Guard	4000, 4001, MS4002 Deadlock Strikes 4015 Threshold Bolt, 4016 Header Bolt for multi-point locking. 4085 Header Bolt for pairs of doors Lock mounting accessories and options 4089 Exit Indicator	Schoolhouse function available as special order.



MS® Prep

Dual Force® 2190, 2290

Series Interconnected Deadbolt/Deadlatch

The 2190 Series Interconnected Deadbolt/Deadlatch provides access control and security for narrow stile aluminum (**2190**), hollow metal and wood doors (**2290**). Deadlatch and deadbolt capabilities are combined for fast, easy, and panic-proof exiting.

Function

The Dual Force combines the access control capabilities of a latch with the security of a deadbolt. The key retracts and extends the deadbolt and deadlatch from either side. The exterior lever retracts the latch only. With the deadbolt projected, a simple turn of the inside lever retracts both the latch and deadbolt simultaneously, providing single-motion, panic-proof exiting. The Dual Force is available with electrified trim set for easy integration into an existing access control system. Standard and electrified trim sets are for out-swinging doors only; low profile trim set designed for in-swinging doors only.

Operation

Key or thumbturn projects or retracts deadbolt or deadlatch. Lock accepts any standard 1" [25.4 mm] length, 1-5/32" [29.4 mm] diameter mortise cylinder with MS® cam such as the 4036 Mortise Cylinder, available separately. Lock accepts cylinder from either or both sides.

Inside lever retracts both deadbolt and deadlatch when configured with interconnect feature. Outside lever retracts latch only. Latch holdback feature activated or deactivated by turning key to retract latch. Sliding holdback button on faceplate down will holdback latch and sliding up will release. The 2190 Series Interconnected Deadbolt/Deadlatch are designed to operate with the uniquely designed strike plate that comes standard in the package from the factory.



Features

Cylinder Backset

1-1/8" [28.6 mm] or 1-1/2" [38.1 mm] only.

Bolt

Latchbolt: 5/8" [15.9 mm] throw of solid brass.

Easily reversible using only a screwdriver.

Deadbolt: 1" [25.4mm] throw of stainless steel.

Auxiliary Deadlatch Pin

Stainless steel. Deadlocks latchbolt to prevent "loiding" or case-knife entry.

Faceplate

Includes faceplate system that adapts to flat, radius, or beveled door edge.

2190: Measures 1" x 6-7/8"

[25.4 mm x 174.6 mm]. Radius with weatherseal faceplate available separately.

2290: Measures 1-1/4" x 8"

[31.8 mm x 203.2 mm].

Strike

The Dual Force 2190, 2290 Interconnected Deadbolt/Deadlatch will not operate without its specially designed strike, included standard in package.

2190: Standard strike furnished is the 2101-01 Strike for flat jamb where door closes flush or nearly flush. The 2101 Strike covers MS® Deadlock strike preparation with modification, and the 4901 Deadlatch Strike directly. Also available in radius version for opposite stile pairs of doors and with extended lip strikes for special jamb conditions.

2290: Standard strike furnished is the 2206 (ASA) Strike for flat jamb where door closes flush or nearly flush.

Inter Connection

Field-selectable inter-connection feature allows interior trim to retract deadbolt and deadlatch. Consult local authority having jurisdiction (AHJ) for guidance in code compliance. 1-3/4" [44.5 mm] minimum door thickness required.

- 2190 retrofits to existing MS1850S Deadlock or 4500 and 4900 Deadlatch of the same backset.

Standard Package

Individually boxed with trim as specified, strike and machine screws for mounting. Cylinder available separately.

Shipping Weight

9 lbs [4.08 kg].

Electrical

Electrified Trim Options

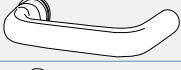

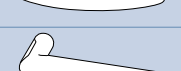

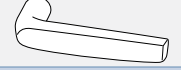



Electrified trim set is designed for easy integration into an existing access control system. Dual-voltage 12/24 VDC rated for continuous duty operation. Energizing the trim set allows the exterior lever to be turned to retract the latch only.

The electrified option is not available for low profile trim (trim option 3). Dual Force 2190/2290 Electrification Kit EK-2190 available separately for field-installation into the exterior standard trim set.

Options

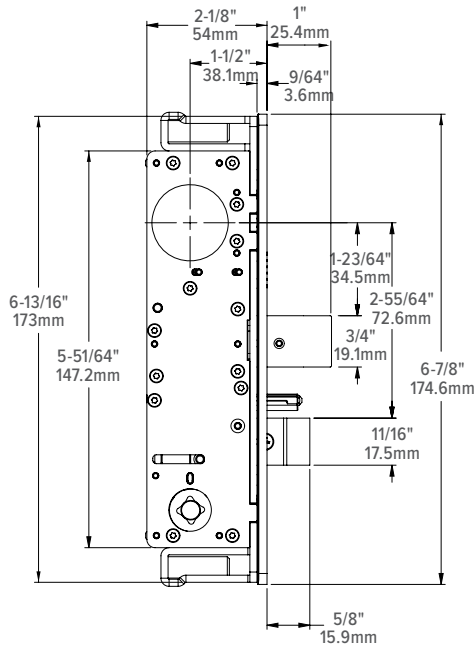
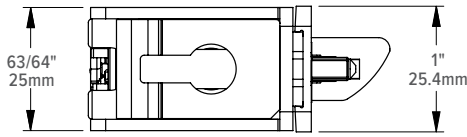
- Specify trim option, lever style, finish, and strike.
- Thick Door Kits (2190-TDKXX) available separately. Specify door thickness.
- Request to Exit REX-4600 switch available separately for small format low profile trim set.
- Available in choice of US3 (605) Bright brass, US4 (606) Satin brass, 10B powder coat to match dark bronze, US32 (629) Bright stainless, or US32D (630) Satin stainless.

Options & Accessories

	OPTION	DESCRIPTION SHORT
	Standard Series 01	Standard lever, curved
	Standard Series 02	Standard lever, round
	Standard Series 03	Standard lever, square
	Aventura Series ME	Studio Collection designer lever
	Aventura Series MG	Studio Collection designer lever
	Aventura Series MI	Studio Collection designer lever
	Aventura Series MW	Studio Collection designer lever
	Centro Series MD	Studio Collection designer lever
	Centro Series MJ	Studio Collection designer lever
	Odeon Series MN	Studio Collection designer lever
	Odeon Series MV	Studio Collection designer lever

All measurements are approximate and are provided for informational purposes only. Refer to the product Installation Instructions.

2190 Dimensions



ARMORED FACEPLATE 1" X 6-7/8"

FLAT 24-0066-01 (included)

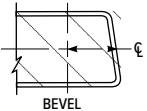
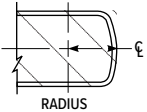
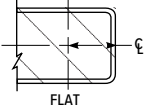
RADIUS 24-0066-02 (included)

RADIUS W/ WEATHERSTRIP
24-0066-03

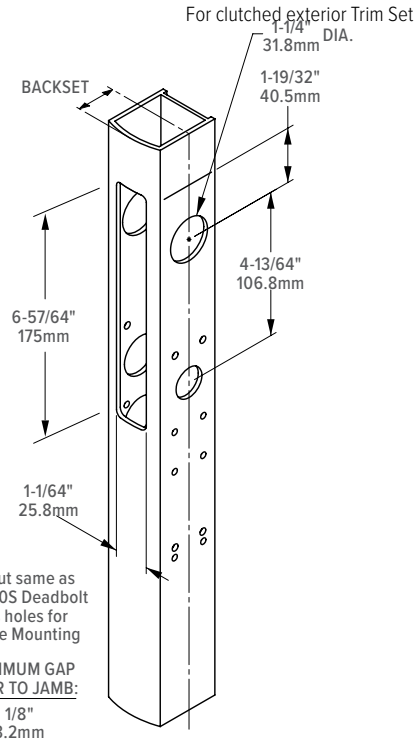
BACKSET	"A"
1-1/8" 28.6mm	1-25/32" 45.2mm
1-1/2" 38.1mm	2-1/4" 57.2mm

HOW BACKSET IS MEASURED:

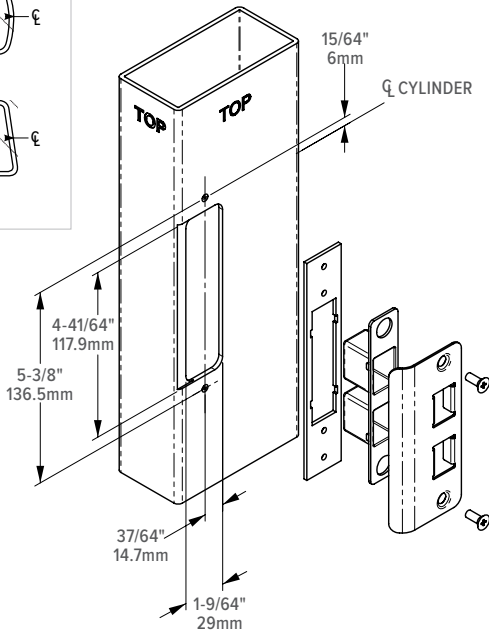
CYLINDER ϕ



Stile Preparation

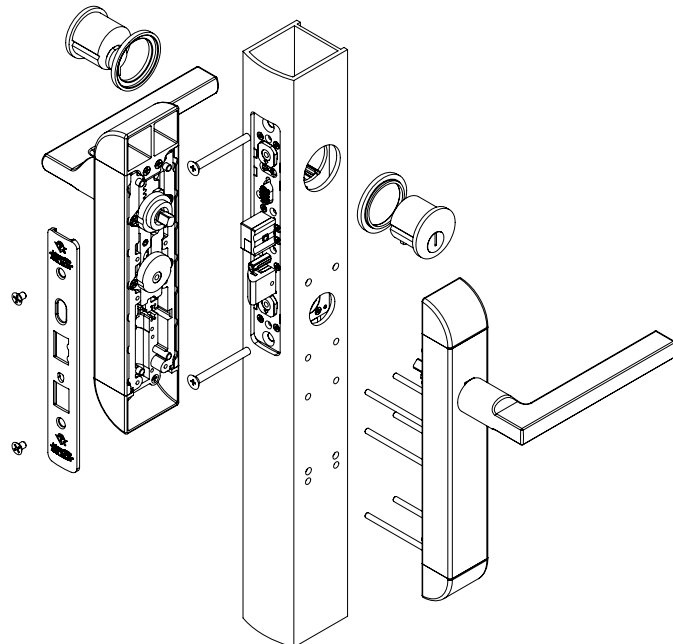


Jamb Preparations

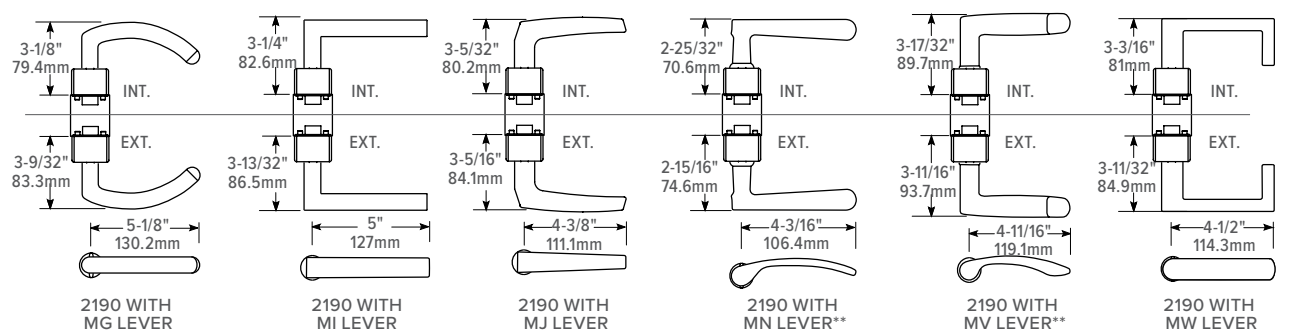
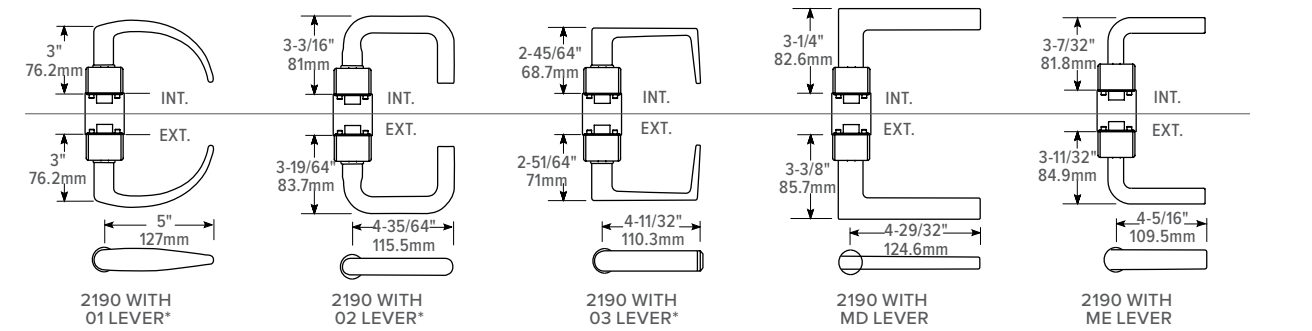
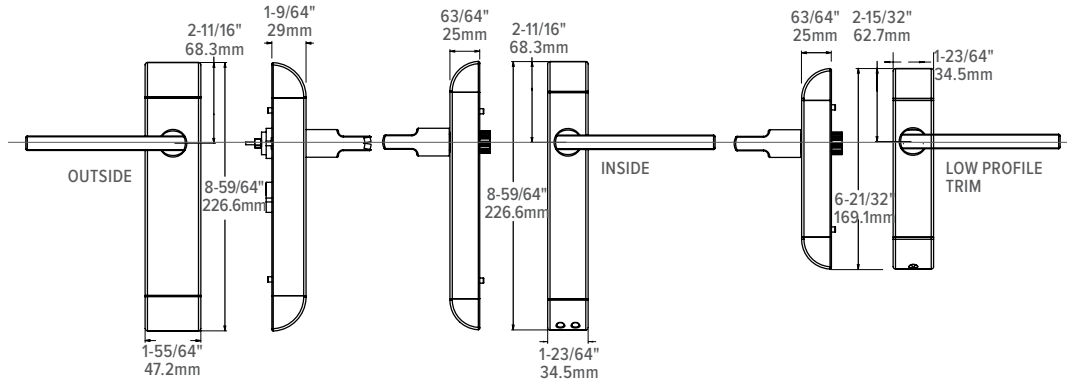


2101 Strike (covers and previous cutout for MS® Deadbolt)
— Retrofits 4901 and 4501 strike preparations.

Latch/Lock, Cylinder & Level Installation



2190 Dimensions



** Handed

How to Order & Related Products

2190 Interconnected Deadbolt/Deadlatch: Specify quantity and the following information. Order related products separately.

MODEL	BACKSET	STRIKE	FACEPLATE FINISH	TRIM	HANDLE DESIGNATION	TRIM AND HANDLE FINISH
2190	-3	1	1	-1	01	32D
	3 1-1/8"	0 None	1 Clear Anodized 628	0 None	00 No Handle	03 Bright Brass (US3)
	4 1-1/2"	1 Standard Flat	2 Dark Bronze Anodized 313	1 With Trim Set	STANDARD SERIES:	
		2 Radius Strike	3 Black Anodized 335	2 With Electrified Trim Set	01 Curve 02 Round 03 Square	10B to match Dark Bronze
				3 Low Profile Trim	DESIGNER SERIES:	
					MD MG MJ MV	32 Bright Stainless (US32)
					ME (Handed) MI MN MW	32D Satin Stainless (US32D)

RELATED PRODUCTS

When purchasing this product, please consider the following related products, available separately:

CYLINDERS	ACCESSORIES	ELECTRIFICATION
Standard 1" length, 1-5/32" diameter mortise cylinder with MS® cam such as 4036 Mortise Cylinder, 4066 Thumbturn; MS4043 Cylinder Guard	2190-TDK Thick Door Kit for standard exterior trim set, TDK-4600 Thick Door Kit for low profile trim set.	EK-2190 Electrification Kit. 2190 may be ordered with electrified trim (trim option 2).

All measurements are approximate and are provided for informational purposes only. Refer to the product Installation Instructions.

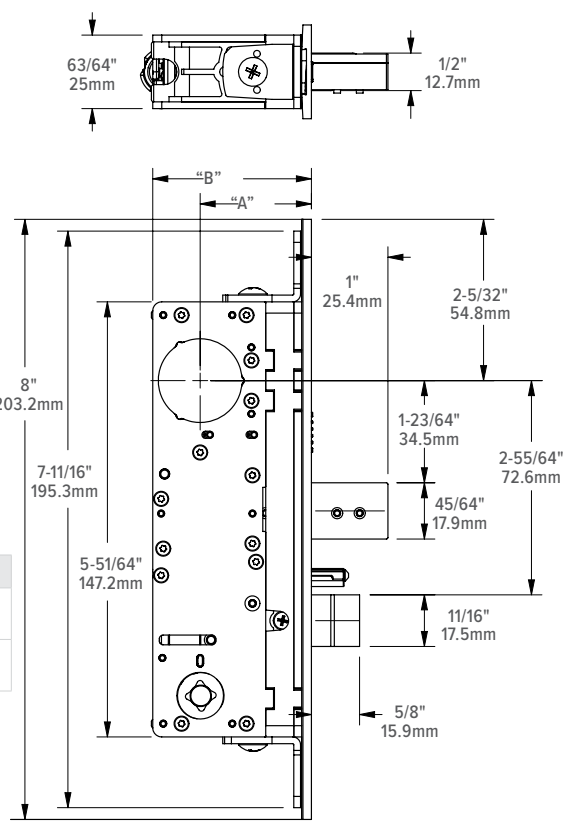
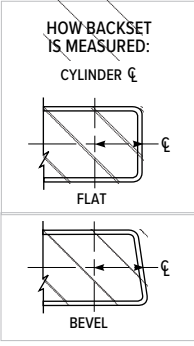
2290 Dimensions



ARMORED FACEPLATE
1-1/4" X 8"

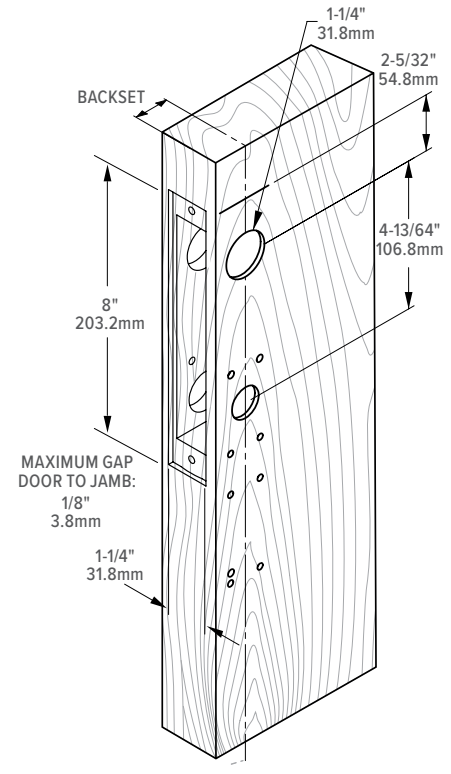
FLAT (included)
FKP-0066-OX-XXX

BACKSET	"A"	"B"
1-1/8" 28.6mm	1-1/8" 28.6mm	1-3/4" 45.2mm
1-1/2" 38.1mm	1-1/2" 38.1mm	2-1/8" 54mm

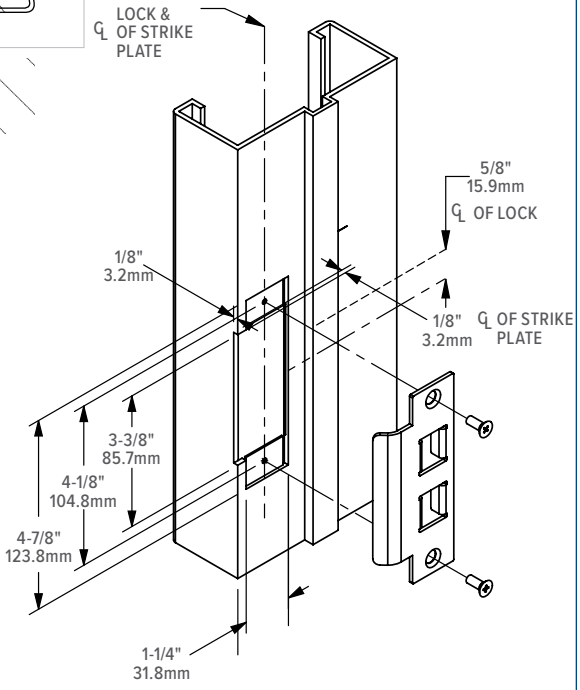


Stile Preparation

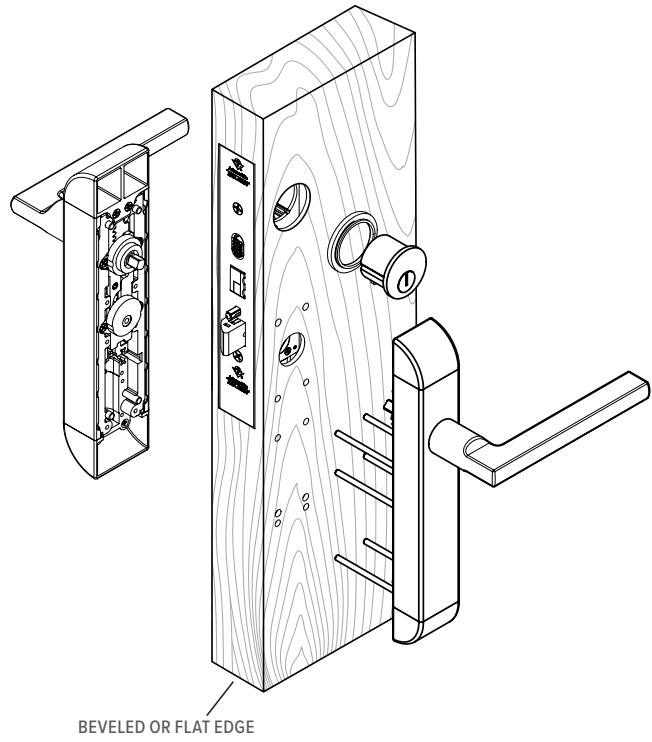
For clutched exterior Trim Set



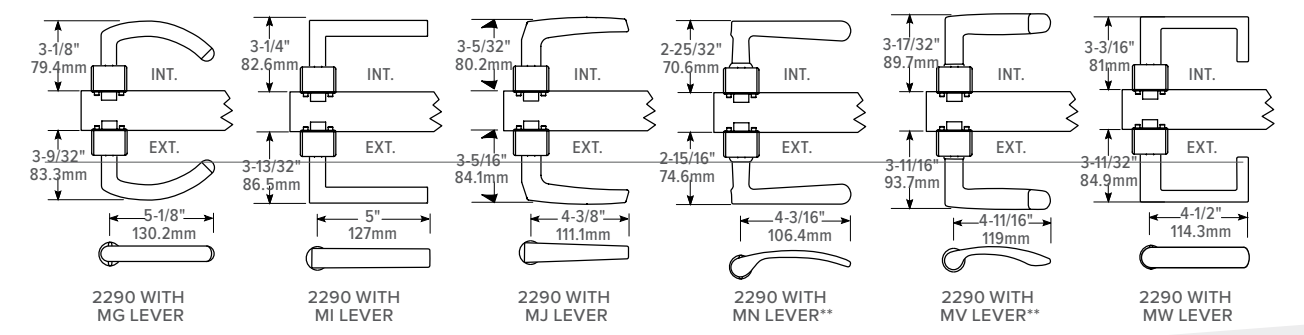
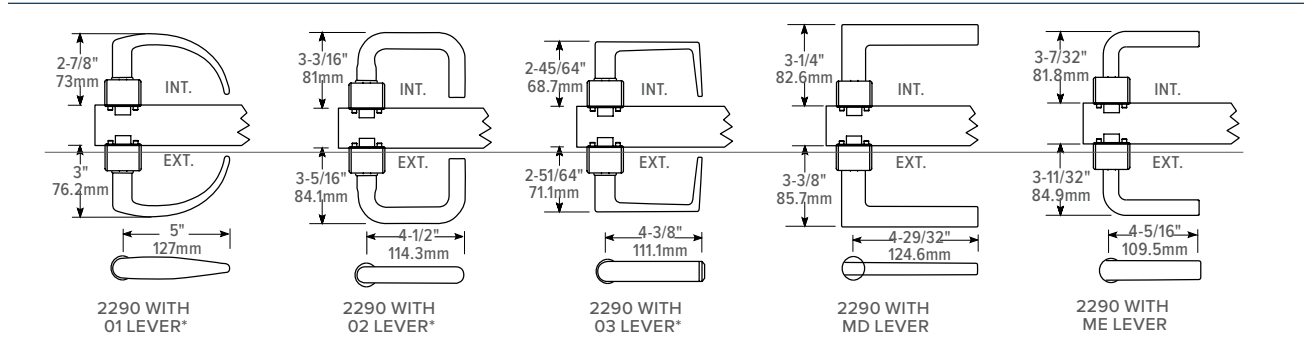
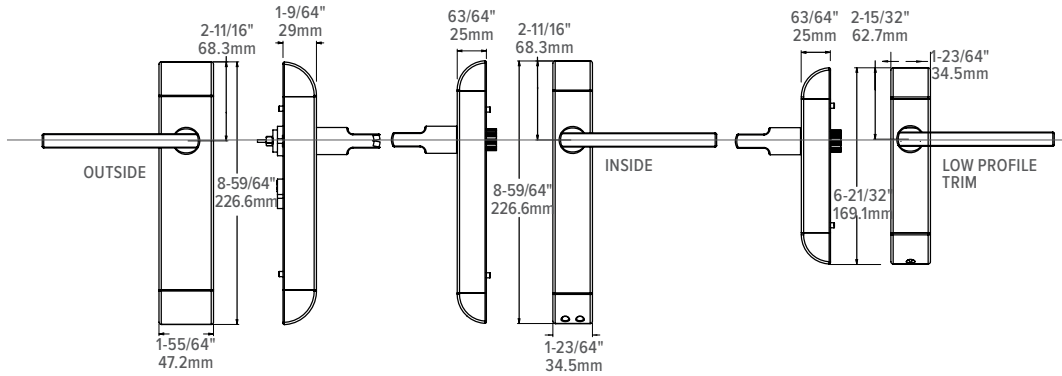
Jamb Preparations



Latch/Lock, Cylinder & Level Installation



2290 Dimensions



** Handed

How to Order & Related Products

2290 Interconnected Deadbolt/Deadlatch: Specify quantity and the following information. Order related products separately.

MODEL	BACKSET	STRIKE	FACEPLATE FINISH	TRIM	HANDLE DESIGNATION	TRIM AND HANDLE FINISH
2290	-3	1	1	-1	01	32D
	3 1-1/8"	0 None	0 US to match trim finish	0 None	00 No Handle	03 Bright Brass (US3)
	4 1-1/2"	1 Standard Flat	1 Clear Anodized 628	1 With Trim Set	STANDARD SERIES:	
			2 Dark Bronze Anodized 313	2 With Electrified Trim Set	01 Curve	02 Round
			3 Black Anodized 335	3 Low Profile Trim	03 Square	10B to match Dark Bronze
					DESIGNER SERIES:	
					MD	MG
					ME (Handed)	MI
					MJ	MN
					MV	MW
						32D Satin Stainless (US32D)

RELATED PRODUCTS

When purchasing this product, please consider the following related products, available separately:

CYLINDERS	ACCESSORIES	ELECTRIFICATION
Standard 1" length, 1-5/32" diameter mortise cylinder with MS® cam such as 4036 Mortise Cylinder, 4066 Thumbturn; MS4043 Cylinder Guard	2190-TDK Thick Door Kit for standard exterior trim set, TDK-4600 Thick Door Kit for low profile trim set.	EK-2190 Electrification Kit. 2190 may be ordered with electrified trim (trim option 2).

2331

Heavy Duty Deadbolt

2331 Heavy Duty Deadbolt provides a heavy duty deadbolt lock that expands into the strike for heavy duty hollow metal or wood applications.

Hollow
Metal

Wood

Sliding
Door

Function

A heavy duty deadbolt for hollow metal or wood sliding doors, the 2331 Heavy Duty Deadbolt throws a massive brass bolt into its strike, then expands two stainless steel dogs to secure the door. A single turn of the key expands or retracts the bolt. There is no latch action.

Operation

360° turn of key or thumbturn extends and projects or retracts and withdraws the bolt. Key cannot be removed unless bolt is positively locked or totally retracted. Lock accepts any standard 1" [25.4 mm] length, 1-5/32" [29.4 mm] diameter mortise cylinder or thumbturn with special cam dimensions. Lock accepts cylinder from either or both sides.

Features

Cylinder Backset

1-3/4" [44.5 mm] only.

Case

Measures 7/8" x 3-5/8" x 2-5/8" deep [22.2 mm x 92.1 mm x 66.7 mm]. Zinc alloy.

Bolt

Brass with stainless steel dogs, 1/2" x 1-1/2" [12.7 mm x 38.1 mm] with 3/4" [19.1 mm] horizontal throw and 11/32" [8.7 mm] expansion above and below main bolt.

Strike

1/8" x 1" x 4-11/16" [3.2 mm x 25.4 mm x 119.1 mm] with 5/8" x 1-5/8" [15.9 mm x 41.3 mm] opening. Brass, with four-screw mounting. Trim finish same as faceplate.

Armored Faceplate

Measures 1" x 5-3/4" [25.4 mm x 146.1 mm]; Flat faceplate of brass. Available in a variety of finishes.

Special Cylinder Cam

Operable by any standard mortise cylinder with special cam dimensions. Cylinders with such cams can be readily obtained from most cylinder manufacturers. See CYLINDERS & ACCESSORIES section for cylinder make, thumbturn and trim ring information.

Standard Package

Individually boxed with strike and wood screws for mounting lock and strike. Cylinder and/or thumbturn available separately.

Shipping weight

2 lbs [.91 kg].

Options

- Available in choice of US3 Polished Brass (605), US26 Bright Chrome (625), US26D Satin Chrome (626), 121 to match 313 Dark bronze anodized.

4070 Series

Short Throw Deadbolt (Projection Style)



Aluminum

Swinging
Door

4070 Short Throw Deadbolt provides security for a conventionally projected bolt in installations where the longthrow MS® Deadlock cannot be used. The smaller 4070 deadbolt offers the longest practical throw from a narrow stile.

Function

For installation where the long-throw MS® Deadlock cannot be accommodated, the smaller 4070 deadbolt offers the longest practical throw for a conventionally projected bolt from a narrow stile. Operates with one-half key turn of any standard mortise type cylinder or cylinder type thumbturn. This product is not designed for use in bottom rail.

Operation

180° turn of key or thumbturn projects or retracts the bolt. Lock accepts any standard 1" [25.4 mm] length, 1-5/32" [29.4 mm] diameter mortise cylinder or thumbturn with special cam dimensions. Lock accepts cylinder from either or both sides.



Features

Cylinder Backset

7/8" [22.2 mm], 31/32" [24.6 mm], or 1-1/8" [28.6 mm] only.

Case

Measures 1" x 6" x depth [25.4 mm x 152.4 mm x depth], depth varies by backset. Steel with corrosion-resistant plating.

Bolt

5/8" x 1-1/4" x 5/8" [15.9 mm x 31.8 mm x 15.9 mm] throw.

Strike

In metal installations, a slot in door jamb serves as strike. 4170 Trim Strike is available separately for wood installations.

Faceplate

Measures 1" x 5-9/16" [25.4 mm x 141.3 mm].

Special Cylinder Cam

Operable by any standard mortise cylinder with special cam dimensions. Cylinders with such cams can be readily obtained from most cylinder manufacturers. See CYLINDERS & ACCESSORIES section for cylinder make, thumbturn and trim ring information.

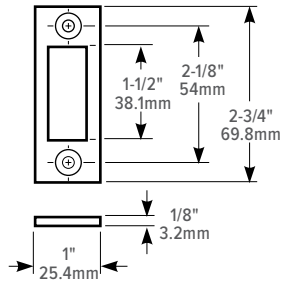
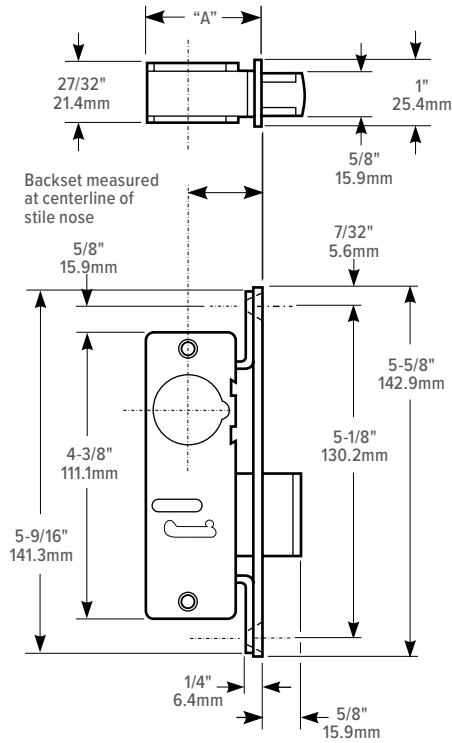
Standard Package

Individually boxed with machine screws for mounting. Cylinder and/or thumbturn available separately.

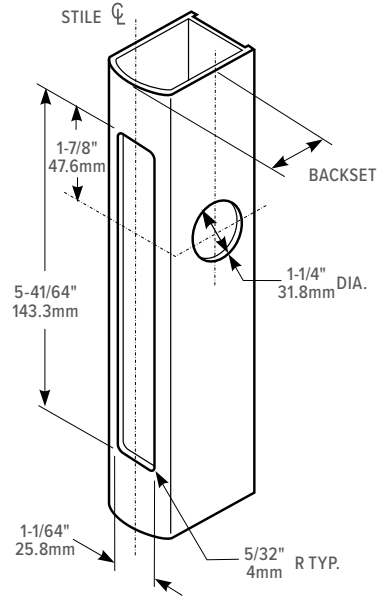
Shipping weight

1 lb [0.45 kg].

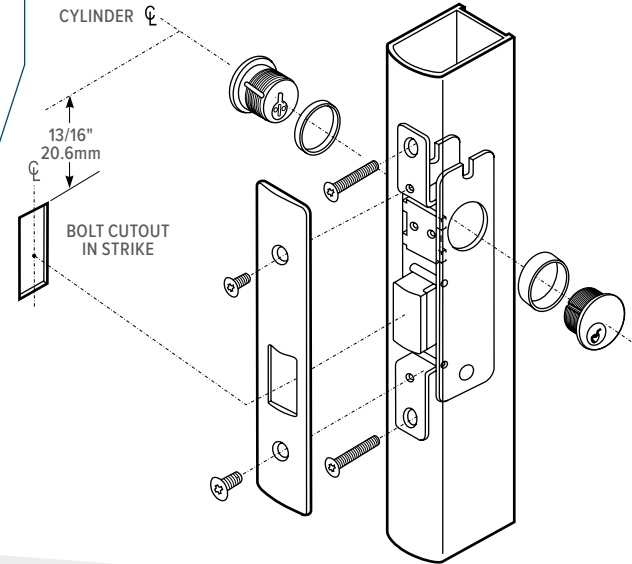
Dimensions



Door Preparation

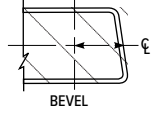
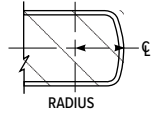
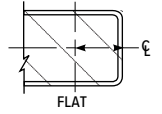


Lock & Cylinder Installation



HOW BACKSET IS MEASURED:

CYLINDER ϕ



ARMORED FACEPLATE 1" X 5-5/8"



BACKSET	"A"
7/8" 22.2mm	1-37/64" 40.1mm
31/32" 24.6mm	1-5/8" 41.3mm
1-1/8" 28.6mm	1-25/32" 45.2mm

How to Order & Related Products

4070 Short Throw Deadbolt (Projection Style): Specify quantity and the following information. Order related products separately.

MODEL	FACEPLATE	BACKSET	HANDING	FINISH
407	2	-2	6	-628
	0 Flat	1 7/8"	0 Non-Handed*	313 Dark Bronze Anodized
	1 Radius	2 31/32"	5 LH or RHR	335 Black Anodized
	2 Bevel	3 1-1/8"	6 RH or LHR	628 Clear Anodized
	3 Without faceplate, without strike plate			

*Select handing for bevel faceplate only.

RELATED PRODUCTS

When purchasing this product, please consider the following related products, available separately:

CYLINDERS	ACCESSORIES
Standard 1" length, 1-5/32" diameter mortise cylinder with special 4070 cam, such as 4036 Mortise Cylinder, 4066 Thumbturn; MS4043 Cylinder Guard.	4170 trim strike for wood installations

5017

Deadlock/Deadlatch

5017 Deadlock/Latch provides the strength and deeper backset required to secure sliding wood doors.

Function

For wood framed sliding doors, the compact 5017 Wood Door Deadlock/Latch provides the same 1000 lbs strength that the MS1847 Deadlock/Latch provides for metal stiles. A deeper backset clears the recessed jamb used with wood doors. The sturdy stainless steel bolt has two important features not usually found in sliding door hardware. First, it is adjustable: a full 3/16" [4.8 mm] lengthening or shortening of bolt projection is possible by turning an exposed screw in the face of the lock. This can compensate for considerable misalignment between door and jamb. Second, the bolt is self-protecting: if the door is closed with the bolt in the locked position, the bolt will retract immediately upon contact with the jamb. This automatic latch can prevent damage or accidental lockout.



Operation

45° rotation of turn or key projects or retracts bolt. Bolt is self-protecting: if door is shut while bolt is extended, it will retract, preventing damage or accidental lock-out. Cylinder pulls available separately for keyed operation.

Features

Cylinder Backset

1-3/16" [30.2 mm]; 1-1/4" [31.8 mm] including faceplate.

Case

Measures 1/2" x 4" x 1-19/32" deep [12.7 mm x 101.6 mm x 40.5 mm deep]. Stainless steel.

Bolt

Three-ply laminated stainless steel. Designed to withstand approximately one-half ton of either horizontal or vertical force. Anti-lift bolt stops both door-from-jamb pry bar attacks and attempts to lift the door from its track.

Cylinder Pull

(4026 Pull) Five pin tumbler cylinder in zinc alloy housing. Standard finish 130 Satin Aluminum.

Lock

Stainless steel, 5/8" x 4-1/2" [15.9 mm x 114.3 mm] with radiused ends.

Mounting

By through-bolts, which also secure the inside turn and outside cylinder when installed.

Turn

1015 Turn available with 1016 blank plate shown for doors from 5/6" [21.2 mm] to 2-1/4" [57.2 mm] thickness.

Without blank plate turn available (for use with cylinder pull) on doors from 1-7/16" [36.5 mm] to 2" [50.8 mm] thickness. Standard finish 130, Satin Aluminum enamel.

Standard Package

Cylinder pull available separately.

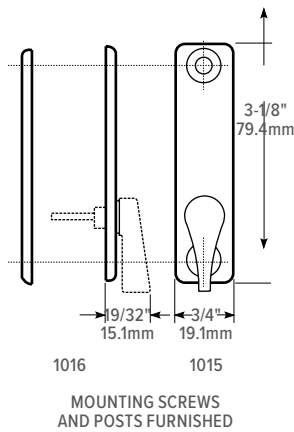
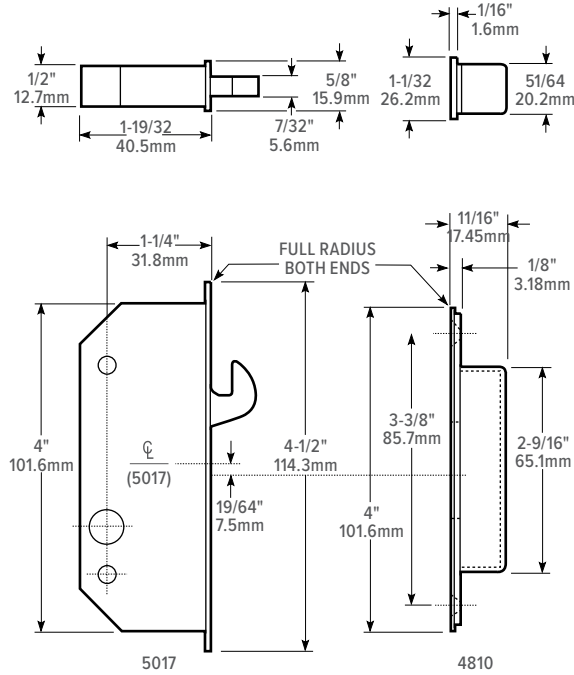
Shipping weight

1/2 lb [0.23 kg].

Options

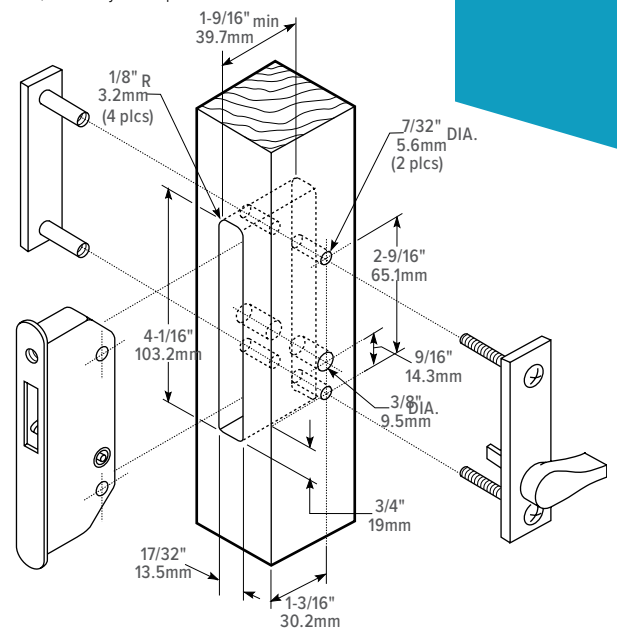
- 1015 Turn for inside operation is available alone (for use with 4026 cylinder pull on outside) or with a blank 1016 outside trim plate and binder posts (when cylinder is not required).
- 4810 Box Strike with wood screws available separately.

Dimensions



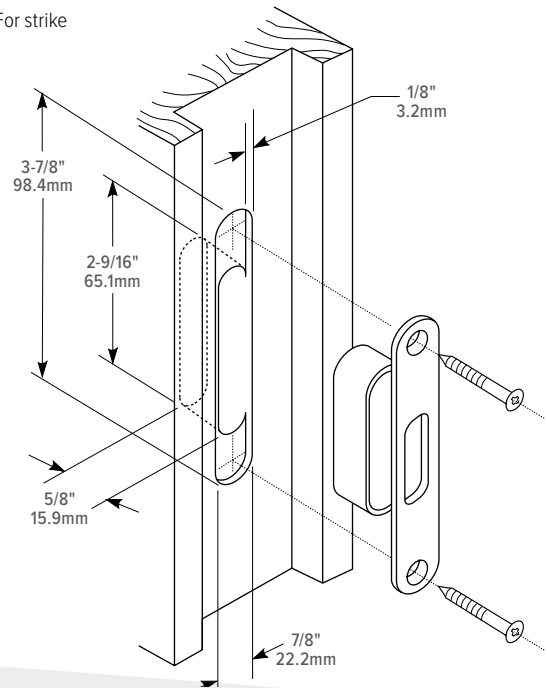
Stile Preparation

For lock, turn & cylinder pull



Jamb Preparation

For strike



How to Order & Related Products

5017 Deadlock/Deadlatch: Specify quantity and the following information. Order related products separately.

MODEL	LATCH CONFIGURATION
5017	-00
	00 Standard
	02 Self Latching

RELATED

When purchasing this product, please consider the following related products, available separately:

TRIM	CYLINDERS	ACCESSORIES
1004, 1015, 1016 Series Turn	4024, 4025, 4026 Cylinder Pulls	4810 Strike for wood installations

5500

Deadlock



Wood

Sliding
Door

5500 Deadlock for sliding wood doors is a hardware set that includes the lockset, strike, and operators. The package features the 5017 Deadlock/Deadlatch with adjustable hookbolt and uses an over-sized thumbturn operator on the interior, coupled with an emergency override access location on the exterior escutcheon.



Function

For wood framed sliding doors, the 5500 Deadlock features the 5017 Deadlock/Latch which provides the same 1000 lbs strength that the MS1847 Deadlock/Latch provides for metal stiles. The bolt throw is easily adjusted by means of a screw in the faceplate. Mounting is by through-bolts, which also secure the inside 1004 Turn Lever and outside 1016 Blank Plate escutcheon. The package incorporates the 1004 Turn Lever, an oversized thumbturn operator on the interior, coupled with the 1016 Blank plate escutcheon with an emergency override access location on the exterior.

Operation

45° rotation of 1004 Turn Lever projects or retracts bolt. Bolt is self-protecting: if door is shut while bolt is extended, it will retract, preventing damage or accidental lock-out.

Features

Cylinder Backset

1-3/16" [30.2 mm]; 1-1/4" [31.8 mm] including faceplate.

Case

Measures 1/2" x 4" x 1-19/32" deep [12.7 mm x 101.6 mm x 40.5 mm deep]. Stainless steel.

Bolt

Three-ply laminated stainless steel.

Door Thickness

1" to 1-1/4" [25.4 mm to 31.8 mm] thick doors.

Faceplate

Measures 5/8" x 4-1/2" [15.9 mm x 114.3 mm] with radiused ends. Stainless steel.

Strike

4810 Box Strike for wood.

Operators

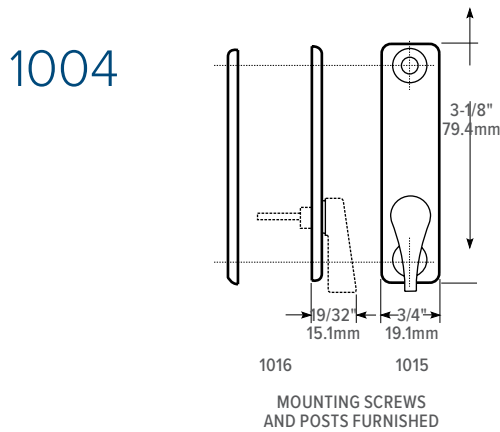
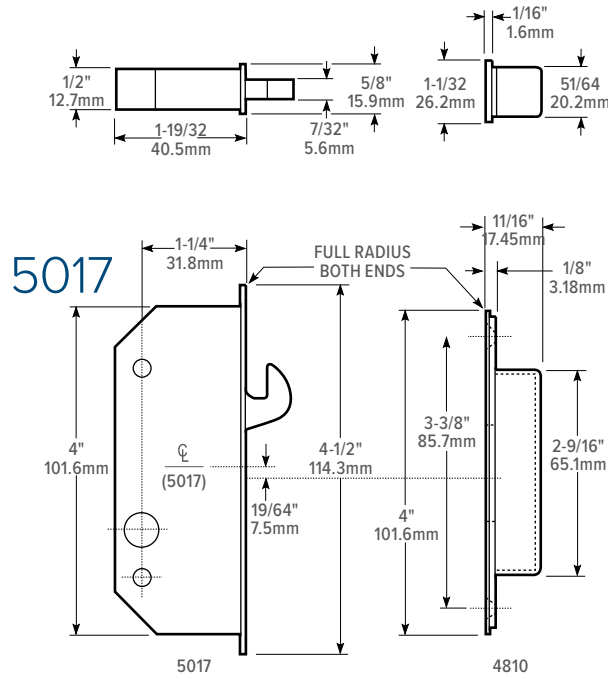
Inside: 1004 Turn lever is zinc alloy with stainless steel escutcheon for interior activation of lock. Spindle is hardened steel, plated for corrosion resistance.

Outside: 1016 Blank plate escutcheon with emergency override access location on exterior of door.

Options

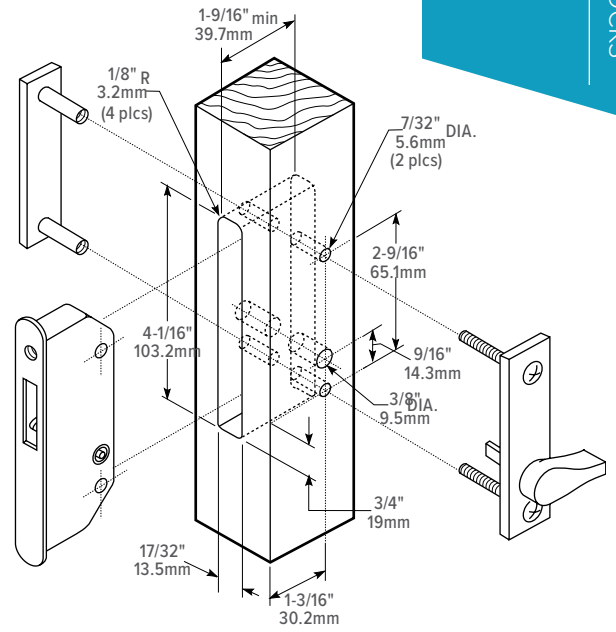
- Available in choice of finish US26D (626) Satin chrome, or powder coat 119 Black to match 335 Black anodized.

Dimensions

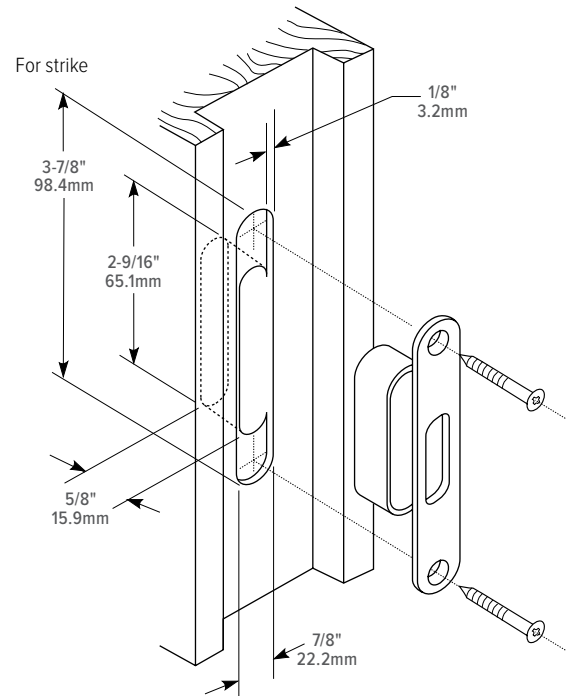


Stile Preparation

For lock, turn & cylinder pull



Jamb Preparation



How to Order

5500 Deadlock: Specify quantity and the following information. Order related products separately.

MODEL	DOOR THICKNESS	FINISH
5500	-20	-626
	20 1-1/4" thick	626 Satin Chrome
		119 To match 335 Black Anodized

Options & Accessories

Adams Rite Deadlocks including the MS® Maximum Security Deadlocks can be ordered with a variety of related products including strike plates, cylinder accessories and trim. Different deadlocks have different installation and cylinder requirements. Please refer to product pages for more information on all available deadlock types, functions, installation requirements and complete How-to-Order guides.

For more detailed information on any of the products listed below please refer to the corresponding section of this catalog.

Accessories

4000 Series MS Deadlock Strikes

4000 surface mounted strike plate, 4001 strike plate with dust box, 4005 threshold strike, 4006 floor strike, 4505 armored strike, or 4003 ANSI strike add aesthetics and finish to strike cutouts in jamb.

4800 Series Strikes

4801 for hollow metal, 4802 for wood, or MS4804 reinforcing strike, the 4800 Series Strikes boast vertical adjustment and include a shim system for horizontal positioning for nearly any sliding door using a mortised MS1847 Deadlock or latch.

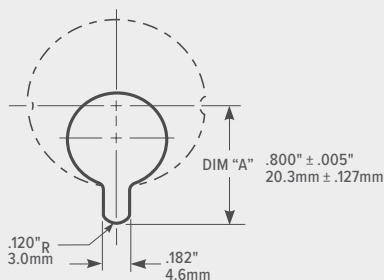
Header Bolts

4015 Threshold Bolt is a two-point lock that easily secures a single door entrance. Security for pairs of doors with single key turning is possible with the **4016 Header Bolt**. The three-point lock easily secures the entire double door entrance when working in conjunction with an MS Deadlock. **4085 Header Bolt** facilitate top-of-door third locking point for pairs of doors when working in conjunction with an MS pivoted bolt deadlock and 4015 Threshold Bolt in the active leaf.

Exit Indicator

The 4089 Exit Indicator provides exit door notification for various Adams Rite deadlocks.

Dimensions of MS® Cam



Trim

1000 Series Turns

The 1000 Series Turns with or without escutcheon are designed to operate Adams Rite MS1847 Deadlocks and 5017 Wood Door Deadlock. These turns mount easily to door pull or other trim plate using push-nut mounting. The 1004 Turn has a longer, more ergonomically-friendly turn lever, the 1015 Turn is available for wood door applications with the 5017 Wood Door Deadlock.

3090 Keyless Entry

A battery-operated keyless entry control device, the **eForce-150 3090 Keyless Entry** provides access control for Adams Rite deadlocks, deadlatches, and exit devices for aluminum stile, steel, and wood door applications.

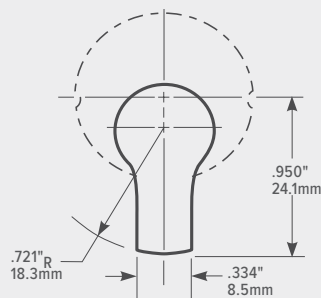
4550 Deadlock Lever

The 4550 MS Deadlock Lever easily unlocks an MS Deadlock with approximately 3 pounds of downward force. The spring-loaded lever relocks with an upward motion. Can be installed in place of existing key cylinder or cylinder type thumbturn on inside of door.

Deadlatch Paddles

The 4590 and 4591 Deadlatch Paddles are an ergonomically-friendly alternative to a knob or lever handle. Operate the MS+1890 Deadlock/ Latch or 2190, 2290 Interconnected Deadbolt/Deadlatch with a simple push or pull.

Dimensions of cam to operate Adams Rite 2331 Deadlock



Cylinders

Cylinder Pulls

The 4024, 4025, 4026 Cylinder Pulls are designed to operate Adams Rite MS1847 Deadlocks and 5017 Wood Door Deadlock.

4036 Mortise Cylinder

The 4036 Mortise Cylinder is a standard 1" long, 1-5/32" diameter cylinder that provides five-pin security with most Adams Rite locks or latches.

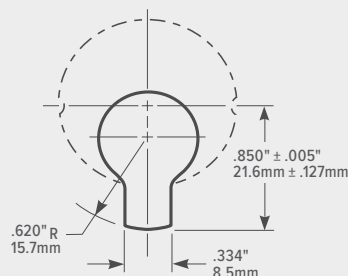
4066 Thumbturn

The 4066 Thumbturn interchanges with standard 1-5/32" diameter mortise cylinder and operates locks or latches without a key.

MS4043 Cylinder Guard

The MS4043 Cylinder Guard is a hardened-steel, free swiveling ring to protect cylinder from vandalism such as prying or twisting. Dimensions of MS cam to operate Adams Rite deadlocks, excluding 4070 Deadlock and 2331 Deadlock.

Dimensions of cam to operate Adams Rite 4070 Deadlock



| Deadlatches



DL100

Wireless Deadlatch

The most advanced electrified deadlatch, with Aperio® wireless technology, for aluminum stile openings.



MS® Prep

Function

The DL100 Wireless Deadlatch seamlessly combines electrified locking hardware with access control system while working within standard aluminum stile entrance door preparations. Always operable from the inside via handle or paddle device. Entry via the integrated card reader or mortise cylinder. The standard fail secure DL100 Wireless Deadlatch with integrated locked state, latchbolt, and tamper monitoring is powered by 2 AA lithium batteries. Units are equipped with a quick connect plug-in type connector. Interchangeable without stile modification for MS® Deadlocks or Adams Rite Deadlatches. 1-3/4" [44.5 mm] minimum door thickness required. Real time communication with DPS, tamper, REX and battery health monitoring and control with support for HID multiCLASS SE and NFC/BLE mobile access card technologies.

Operation

Entry is achieved via key override, mobile or card credentials while free egress is achieved by operating the inside lever or paddle to release the spring-loaded latchbolt. Available in a fail-secure configuration only. Lock accepts any standard 1" mortise cylinder with MS® cam, available separately.

Certifications

- UL 294 Listed – Indoor Rated
- UL 294 Salt Spray Test Compliant
- Tested to IP65 (Reader Only)
- FCC Part 15 & Industry Canada Compliant
- CE RED – Radio Equipment Directive – 2014/53/EU

Features

All Models

- 2.4 GHz Aperio wireless technology
- Integrates with most existing access control systems and credentials
- Audit trail limited by access control system
- Battery operated; (2) AA Lithium

Deadlatch Features

- Non-handed
- Fail secure operation (standard)
- Integrated locked state, latchbolt, and tamper monitoring
- Universal compatibility with any existing MS® door prep
- Fully finished faceplate and strike plate

- Tamper resistant
- Low energy EcoLatch® motorized actuator technology

Lock Backset

31/32" [24.6 mm], 1-1/8" [28.6 mm], and 1-1/2" [38.1 mm]

Case

Steel with corrosion-resistant plating. Measures 15/16" x 5-13/16" x depth [23.8 mm x 147.6 mm x depth]. Depth varies by backset.

Latchbolt

Stainless steel. Measures 5/8" x 1" x 5/8" [15.9 mm x 25.4 mm x 15.9 mm] throw.

Auxiliary Bolt

All metal. Deadlocks latchbolt to prevent "loiding" or case-knife entry.

Cylinder

Standard 1" mortise cylinder accepted

Faceplate

Measures 1" x 6-7/8" [25.4 mm x 174.6 mm]. Both flat and radius faceplates are supplied. Flat faceplates can also be adjusted in the field for right or left beveled edge doors.

Strike Plate

Pick from optional strikes: **4304**

Surface mounted strike for easy retrofits. **4901-01 Mortised-flush** when covering existing MS® deadlock preparation or for new applications.

4901-02 Mortised-radius for pairs of doors and with extended lips of center-hung or thick door applications.

Deadlatch Reader Features

- Supports HID multiCLASS SE® card technologies
- Supports NFC & BLE mobile access credentials
- Bi-color LED visual status indicators; Red/Amber or Green/Amber

Standard Package

Individually boxed with strike plate, flat and radius faceplates, and mounting screws. Supplied with 4581 Universal Cam Plug to work with specified handles or paddle operators. Cylinder, paddle, handle available separately, (unless purchasing a Solution Set, see Options).

Options

- Bundled with 4591 REX Paddle. See How to Order for ordering information.*

* Only available through ACP/CI channel

Specifications

Wireless Access Control

Minimal field configuration for quick, easy wireless deployments that eliminate the cost and inconvenience of hardwiring the door.

Fully-encrypted AES 128-bit wireless communication between the DL100 lock and Aperio® hub ensures data security.

The Aperio wireless hub connects to an access control system with typical access control cabling or via an ethernet connection.

Compatible Aperio Hub Models

AH20, AH30, AH40

Electrical

- (2) "AA" lithium batteries (included); Use of other types of batteries, such as alkaline, will significantly decrease battery life.
- microUSB port for emergency power

Environmental

- Operating Temperature (lock & reader): 14° to 140° F [-10° to 60° C]
- Operating Humidity (lock & reader): 0 to 93% relative humidity non-condensing
- Tested to IP65 (Reader only)

Credential Support

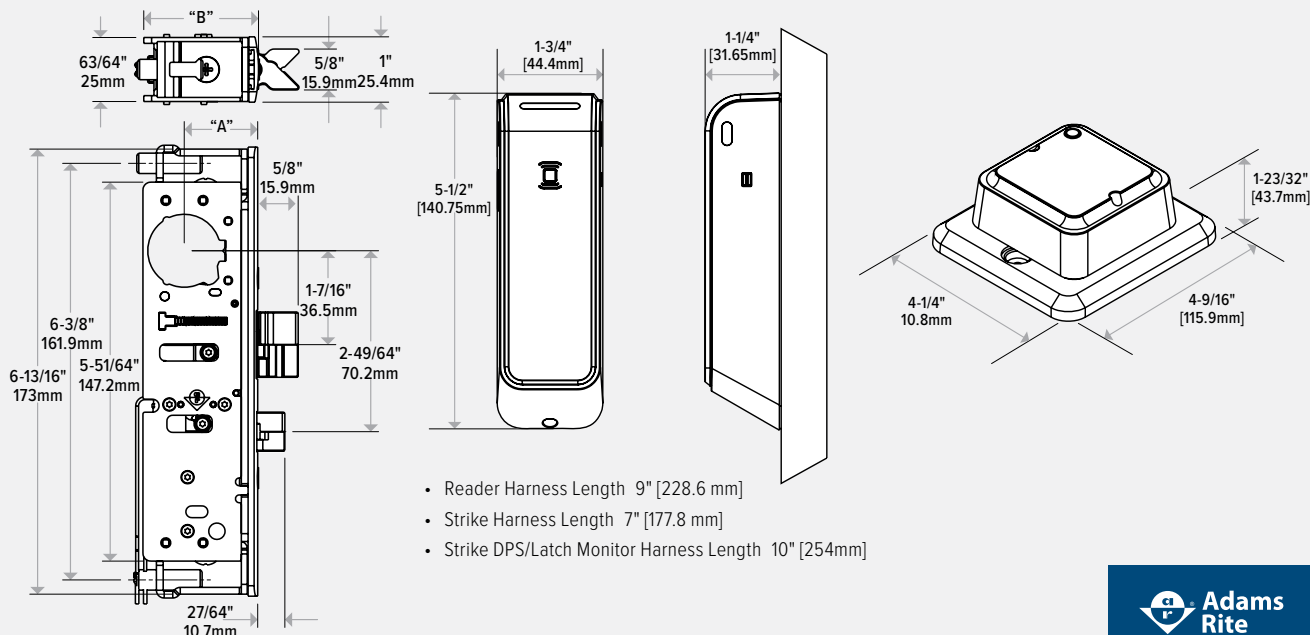
- High Frequency (13.56 MHz): HID iCLASS®, HID iCLASS SE® (SIO®-enabled), HID iCLASS® Seos®, HID MIFARE® SE, HID DESFire® EV1 SE, MIFARE CLASSIC, DESFire® EV1, DESFire® EV2 (legacy mode)
- Low Frequency (125 kHz): HID Prox®, AWID, EM4102, IOProx
- Mobile Access Credentials: NFC, HID BLE Mobile Access, SEOS iOS Apple Wallet



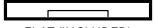
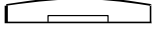

4591 Deadlatch Paddle

NOTE: The DL100 is available as either a pre-paired reader and hub kit (no certification required) or as a field configurable component (requires Aperio® Certified Integrator certification). Pre-paired kits support limited features, field configured devices are required in order to support all options. Visit IntelligentOpenings.com to learn more.

Dimensions

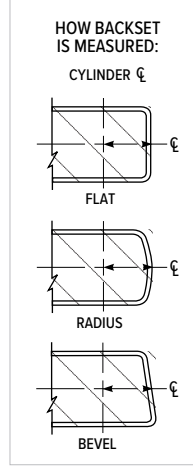


- Reader Harness Length 9" [228.6 mm]
- Strike Harness Length 7" [177.8 mm]
- Strike DPS/Latch Monitor Harness Length 10" [254mm]

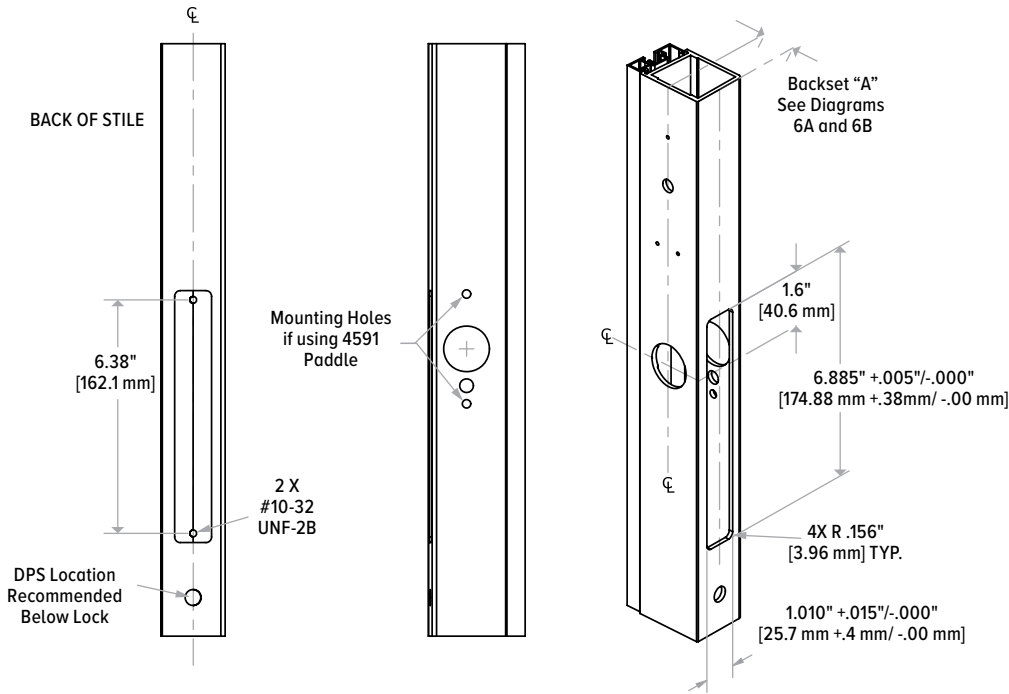
ARMORED FACEPLATE 1" X 6-7/8"
 FLAT (INCLUDED) P/N 91-4300-01-XXX*
 RADIUS (INCLUDED) P/N 91-4300-01-XXX*
 RADIUS W/ WEATHERSTRIP P/N 91-4300-02-XXX*

*Flat faceplate can be adjusted for right or left beveled edge doors. Radius weatherstrip is optional. 91-4300-01-XXX Faceplate kit includes both flat and radius faceplates.

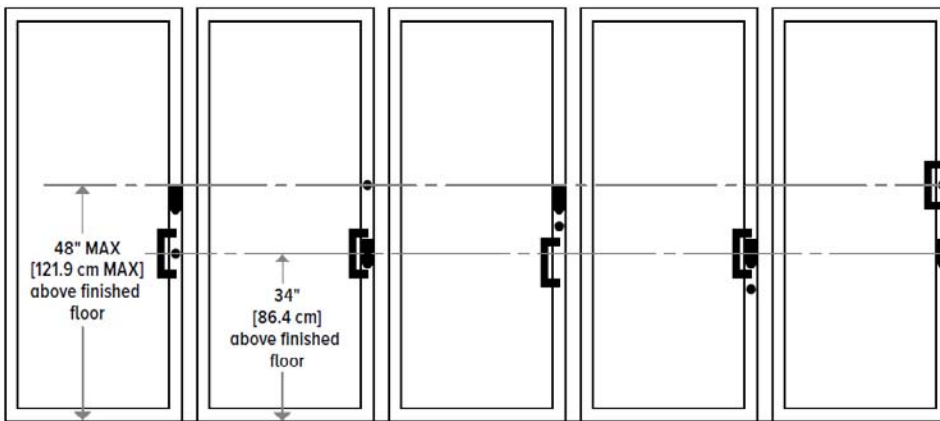
BACKSET A	DIM. B
31/32" 24.6mm	1-19/32" [40.5mm]
1-1/8" 28.6mm	1-49/64" [44.8mm]
1-1/2" 38.1mm	2-9/64" [54.4mm]



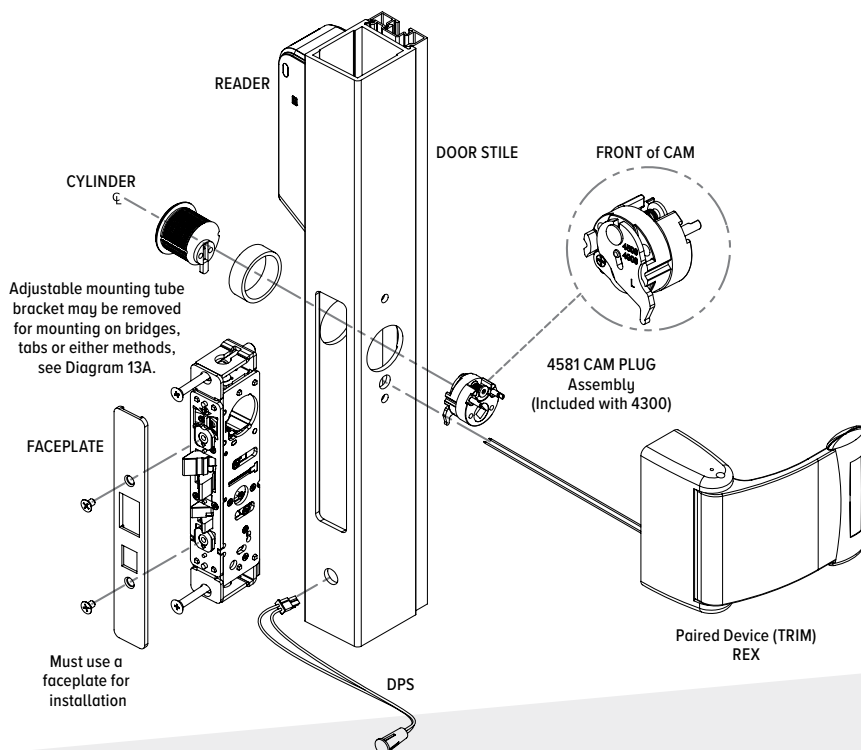
Stile Preparation



ADA Cylinder Height



Latch Paddle & Cylinder Installation



How to Order & Related Products

DL100 Wireless Deadlatch: Specify quantity and the following information. Order related products separately.

SERIES	BACKSET	STRIKE	STRIKE SHAPE/ LIP LENGTH	OPTIONS	CARD TECHNOLOGY	FINISH	
DL100	-3	2	01	H	-IPS	-628	
Monitoring & DPS are Standard Features	2 31/32"	1 Surface Mount (4304)	01 Flat/Standard Jamb	(blank)* Field configured to work with AH20, AH30, or AH40 wireless hubs	IPS HID iCLASS®, HID iCLASS SE® (SIO-enabled), HID iCLASS® Seos™, HID MIFARE® SE, HID DESFire® EV1 SE, MIFARE Classic, MIFARE DESFire EV1, NFC-enabled Mobile Phones: HID Mobile Access (NFC), Seos Apple Wallet (NFC)	313 Dark Bronze Anodized	
			02 Radius Standard Stiles			335 Black Anodized	
	4 1-1/2"	2 Mortised (4901)	17 Flat/Center Hung 4" Jamb			IPEXXXXX† Same as IPS but with factory loaded HID Elite Credential	628 Clear Anodized
			21 Flat/Center Hung 4-1/2" Jamb				
				H Factory pre-prepared to work with AH20 Wiegand 1:1 hub			
				A (push left) * ^	BIPEXXXXX**† Same as BIPS but with factory loaded HID Elite Credential		
				B (push right) * ^			
				C (pull left) * ^			
				D (pull right) * ^			

* Only available through ACP/CI channel. ^ REX switch only available on PUSH configurations ** XXXXX is a unique or customer specific key that is only re-orderable for that specific company.

† HID Authorization form will need to be filled out and signed by the end user who has authority of the ELITE KEY.

RELATED PRODUCTS When purchasing this product, please consider the following related products, available separately:

TRIM	CYLINDERS	ACCESSORIES
4560, 4565 Deadlatch Handles, 4568, 4569 Eurostyle Deadlatch Handles, 4590, 4591 Paddles, 4600 Deadlatch Handles	Standard 1" length, 1-5/32" diameter mortise cylinder with MS® cam such as 4036 Mortise Cylinder, 4066 Thumbturn MS 4043 Cylinder guard	4104 Mounting Bridge, 91-0965 Mounting Kit for radiused door, 91-0966 Mounting Kit for beveled door, 26-00090XX Tube Spacer, 4901, 4902 Deadlatch Strikes, DL100-DRK Door Repair/Retrofit Plate, APD10USB Aperio Radio Dongle*, ACC10 Credential Test Cards * Only available through ACP/CI channel

Steel Hawk® 4300

Electrified Deadlatch

The Steel Hawk® 4300 Electrified Deadlatch is a non-handed, narrow backset, electrified deadlatch designed for easy integration with access control systems.

Function

The 4300 Electrified Deadlatch seamlessly combines electrified locking hardware with access control while working within standard narrow stile aluminum entrance door preparations. Always operable from the inside via handle or paddle device. Entry via keyed mortise cylinder or access control device such as keypad or card reader. Fail secure lock with optional form "C" latch status monitor. The standard fail secure 4300 Electrified Deadlatch operates on 12, 16, or 24 VDC power and is rated for continuous duty. Units are equipped with a quick connect plug-in type connector. Interchangeable without stile modification for MS® Deadlocks or Adams Rite 4500 and 4900 Deadlatches. 1-3/4" [44.5 mm] minimum door thickness required.



Aluminium



Swinging Door



Electrified Product

MS® Prep

Operation

Turn key, apply voltage, or operate handle or paddle to release the spring-loaded latchbolt. Electrically-rated for continuous duty for timed applications. Easily interfaces with other access control system elements. Available in fail secure configuration only. Lock accepts any standard 1" [25.4 mm] length, 1-5/32" [29.4 mm] diameter mortise cylinder with MS® cam such as the 4036 Mortise Cylinder or thumbturn such as the 4066 Thumbturn, available separately. Lock accepts cylinder from either or both sides.

Certifications

- UL 294 Listed

Features

Cylinder Backset

31/32" [24.6 mm], 1-1/8" [28.6 mm], and 1-1/2" [38.1 mm].

Case

Steel with corrosion-resistant plating. Measures 15/16" x 5-13/16" x depth [23.8 mm x 147.6 mm x depth]. Depth varies by backset (see table on back of page).

Latchbolt

Stainless steel. Measures 5/8" x 1" x 5/8" [15.9 mm x 25.4 mm x 15.9 mm] throw.

Auxiliary Bolt

All metal. Deadlocks latchbolt to prevent "loiding" or case-knife entry.

Faceplate

Measures 1" x 6-7/8" [25.4 mm x 174.6 mm]. Both flat and radius faceplates are supplied. Flat faceplates can also be adjusted in the field for right or left beveled edge doors.

Strike

Pick from optional strikes. 4304 surface mounted strike for easy retrofits. Specify 4901-01 mortised-flush version when covering existing MS® deadlock preparation or for new applications. 4901-02 strike is available with radius profiles for pairs of doors and with extended lips of center-hung or thick door applications.

Standard Package

Individually boxed with strike plate, flat and radius faceplates, and mounting screws. Supplied with 4581 Universal Cam Plug to work with specified handles or paddle operators. Cylinder, paddle, handle available separately.

Shipping Weight

1-1/4 lbs [0.57 kg].

Product Note

The 4600M with monitoring switch option cannot be used in conjunction with the 4300 Electrified Deadlatch.

Electrical

Voltage

Field-selectable to match power source of 12, 16, or 24 VDC.

Current Draw/Amps

0.44A at 12VDC
0.458A at 16VDC*
0.23A at 24VDC
*Required 16 VDC adapter (P/N VA 7400-16VDC)

Options

- Backset, strike, and finish must be specified when ordering.
- Optional form "C" latch status monitoring available.

RITE Pack®

Pairs the electrified deadlatch with multiple faceplates in a single package. Faceplates Included: 2 flat faceplates, 2 radius faceplates: one each of 628 Clear and one 313 Dark bronze anodized finish.

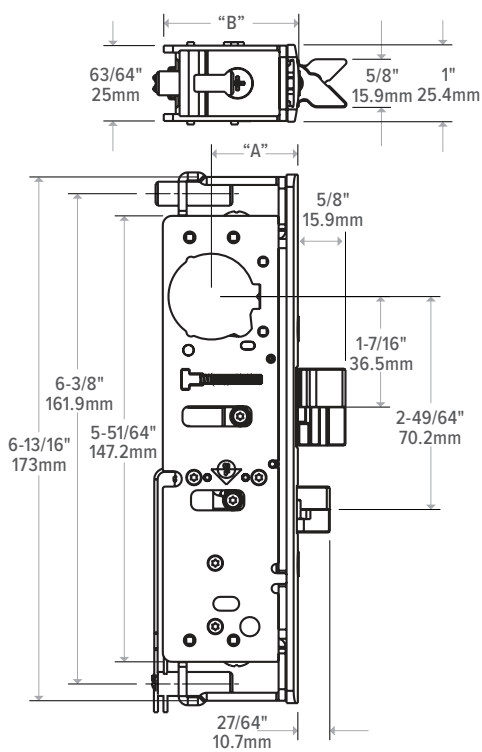
US adamsrite.com | 800.626.7590 | customerservice.adamsrite@assaabloy.com

Canada assaabloydss.ca | 800.461.3007 | sales.dss.ca@assaabloy.com

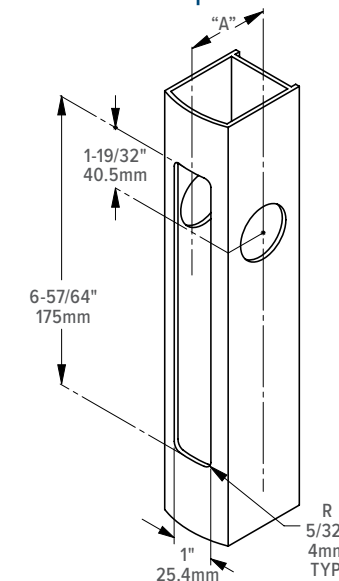
Updated: May 28, 2024

All measurements are approximate and are provided for informational purposes only. Refer to the product Installation Instructions.

Dimensions



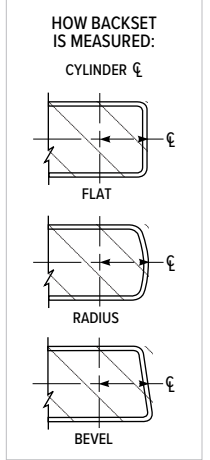
Stile Preparation



- ARMORED FACEPLATE**
1" X 6-7/8"
- FLAT (INCLUDED)
P/N 91-4300-01-XXX*
 - RADIUS (INCLUDED)
P/N 91-4300-01-XXX*
 - RADIUS W/ WEATHERSTRIP
P/N 91-4300-02-XXX*

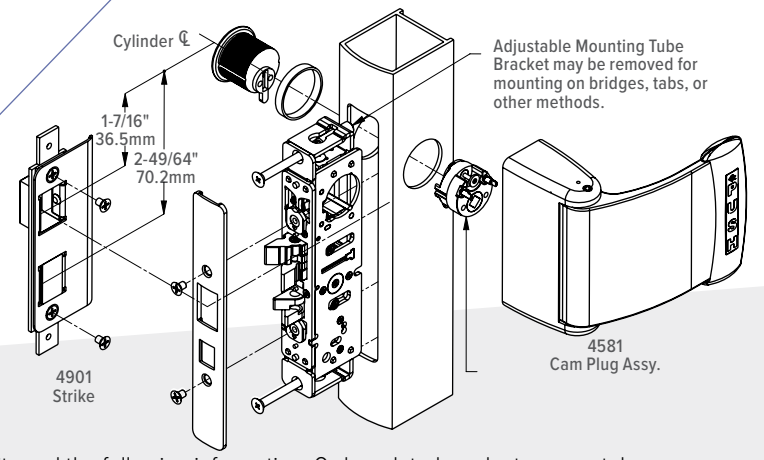
*Flat faceplate can be adjusted for right or left beveled edge doors. Radius weatherstrip is optional. 91-4300-01-XXX Faceplate kit includes both flat and radius faceplates.

BACKSET A	DIM. B
31/32" 24.6mm	1-19/32" 40.5mm
1-1/8" 28.6mm	1-49/64" 44.8mm
1-1/2" 38.1mm	2-9/64" 54.4mm



Adjustable mounting tube bracket may be removed for mounting on bridges, tabs, or other methods.

Latch Paddle & Cylinder Installation



How to Order

Steel Hawk® 4300 Electrified Deadlatch: Specify quantity and the following information. Order related products separately.

MODEL	BACKSET	MONITORING	STRIKE	STRIKE SHAPE/LIP LENGTH	FACEPLATE FINISH
4300	-3	M	-2	01	-628
	2 31/32"	0 None	1 Surface Mount (4304)	01 Flat/Standard Jamb	313 Dark Bronze Anodized
	3 1-1/8"	M Monitored	2 Mortised (4901) 4-5/8"	02 Radius/Standard Stiles*	335 Black Anodized
	4 1-1/2"			17 Flat/Center Hung 4" Jamb*	628 Clear Anodized
				21 Flat/Center Hung 4-1/2" Jamb*	

* See ACCESSORIES for available 4901 strike options.

4300 RITE Pack®: Specify quantity and the following information. Order related products separately.

MODEL	BACKSET	MONITORING	STRIKE	RITE PACK
4300	-3	0	-1	RP
	2 31/32"	0 None	1 Surface Mount (4304)	
	3 1-1/8"		2 Mortised (4901) 4-5/8"	

RELATED PRODUCTS When purchasing this product, please consider the following related products, available separately:

TRIM	CYLINDERS	ACCESSORIES	POWER
4560, 4565 Deadlatch Handles, 4568, 4569 Eurostyle Deadlatch Handles, 4590, 4591 Paddles, 4600 Deadlatch Handles	Standard 1" length, 1-5/32" diameter mortise cylinder with MS® cam such as 4036 Mortise Cylinder, 4066 Thumbturn MS 4043 Cylinder guard	4104 Mounting Bridge, 91-0965 Mounting Kit for radiused door, 91-0966 Mounting Kit for beveled door, 26-00090XX Tube Spacer, 4901, 4902 Deadlatch Strikes	PS-1 Power Supply, 4605 Transformer, 4603 Rectifier, and 4612 Power Transfer Device



4510

Standard Duty Deadlatch

4510 Standard Duty Deadlatches provide flexible traffic control during and after business hours.



Aluminum

Swinging
Door

MS® Prep

Function

The 4510 Series Standard Duty Deadlatch offers flexibility of traffic control during and after business hours. A reverse turn of the key while the bolt is held retracted retains the bolt to allow two-way traffic for healthcare, financial institutions, retail, and other applications that require free entrance at certain times and exit-only at other times. Interchangeable, without stile modification, with any MS1850S Deadlock of same backset and faceplate shape. They do not, however, provide the same maximum security level as the MS® Deadlock.

Operation

Turn key or operate handle or paddle to retract spring-loaded latchbolt. To hold bolt retracted, push it in and secure by reverse turn of key. Lock accepts any standard mortise cylinder with MS® cam, available separately. Lock accepts any standard 1" [25.4 mm] length, 1-5/32" [29.4 mm] diameter mortise cylinder with MS® cam such as the 4036 Mortise Cylinder or thumbturn such as the 4066 Thumbturn, available separately. Lock accepts cylinder from either or both sides.



Features

Cylinder Backset

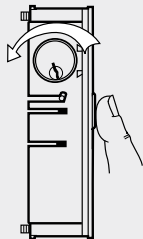
7/8" [22.2 mm], 31/32" [24.6 mm], 1-1/8" [28.6 mm] or 1-1/2" [38.1 mm].

Case

Steel with corrosion-resistant plating. Measures 1" x 5-13/16" x depth [25.4 mm x 147.6 mm x depth]. Depth varies by backset (see table on back of page).

Bolt Holdback

While bolt is held fully retracted, a reverse turn of the key retains the bolt, allowing the door to be free swinging.



Latchbolt

All metal with hardened steel internal pins. Handing is reversible without special tools. Measures 1/2" x 1" x 1/2" [12.7 mm x 25.4 mm x 12.7 mm] throw.

Auxiliary Bolt

All metal. Deadlocks latchbolt to prevent "loiding" or case-knife entry.

Faceplate

Measures 1" x 6-7/8" [25.4 mm x 174.6 mm].

Strike

Standard strike furnished is 4902-01 for flat jamb where door closes flush or nearly flush. Available separately: radius strike for opposite stile in paired doors; longer strike (4901) to cover slot strike of MS lock; long lip strikes for center hung doors.

Standard Package

Individually boxed with strike and mounting screws. Cylinder, paddle, handle available separately.

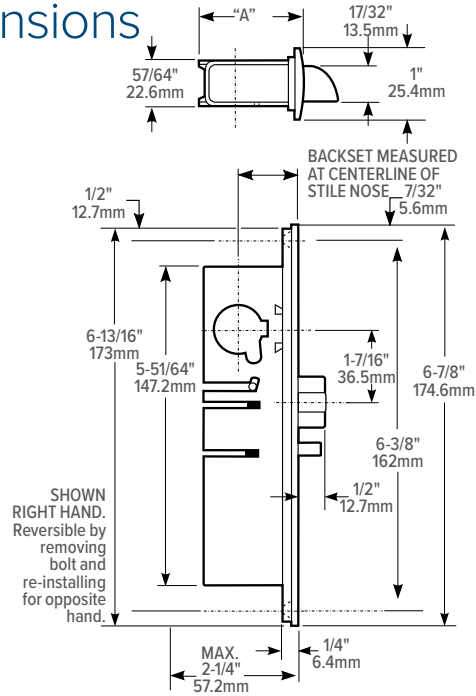
Shipping Weight

1-1/4 lbs [.57 kg]. Also available in a 25-unit pack for volume customers. Please contact factory for more information.

Options

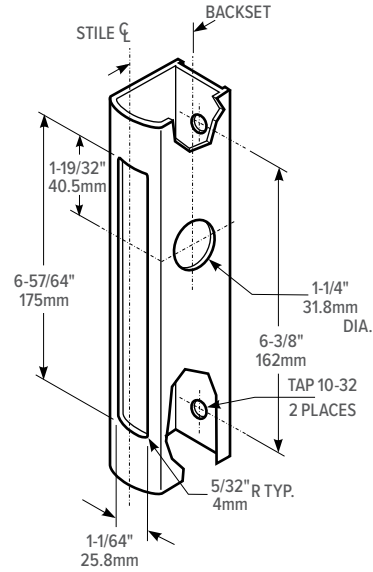
- Backset, faceplate shape, strike, handing, and finish must be specified when ordering.
- Available without faceplate or strike plate, select 4513.
- Available in choice of 313 Dark bronze anodized, 335 Black anodized, 628 Clear anodized.

Dimensions

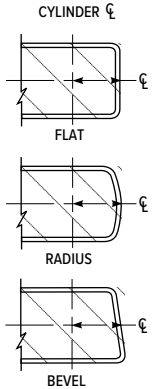


Stile Preparation

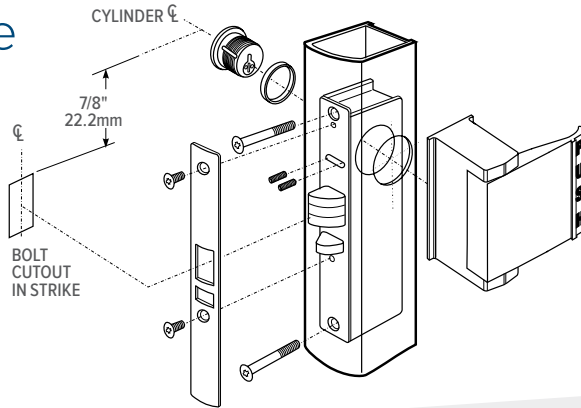
Identical to MS1850S Series
(Also see prep for 4590 Paddle)



HOW BACKSET IS MEASURED:



Latch Paddle & Cylinder Installation



BACKSET	"A"	ARMORED FACEPLATE 1" X 6-7/8"
7/8" 22.2mm	1-33/64" 38.5mm	FLAT 4510
31/32" 24.6mm	1-19/32" 40.5mm	RADIUS 4511
1-1/8" 28.6mm	1-49/64" 44.8mm	RADIUS W/ WEATHERSTRIP 4511W
1-1/2" 38.1mm	2-9/64" 54.4mm	LH BEVEL 4512-X5
		RH BEVEL 4512-X6

How to Order & Related Products

4510 Standard Duty Deadlatch: Specify quantity and the following information. Order related products separately.

MODEL	FACEPLATE	BACKSET	HANDING	STRIKE SIZE	STRIKE SHAPE/LIP LENGTH	FACEPLATE FINISH
451	1	-3	6	-2	01	-628
	0 Flat	1 7/8"	5 LH or RHR	1 Mortised (4901) 4-5/8"	01 Flat/Standard Jamb	313 Dark Bronze Anodized
	1 Radius	2 31/32"	6 RH or LHR	2 Mortised (4902) 2-5/8"	02 Radius/Standard Stiles	335 Black Anodized
	1W Radius w/ Weatherstrip	3 1-1/8"			17 Flat/Center Hung 4" Jamb	628 Clear Anodized
	2 Bevel	4 1-1/2"			21 Flat/Center Hung 4-1/2" Jamb	
	3 Without faceplate, without strike plate					

RELATED PRODUCTS When purchasing this product, please consider the following related products, available separately:

ELECTRIC STRIKES	TRIM	CYLINDERS	ACCESSORIES
7100/7101, 7110/7111, 7130/7131, 7140 Electric Strikes, 7400/7401, 7410/7411, 7430/7431, 7440 Electric Strikes	3090-150, 4560, 4565 Deadlatch Handles, 4568, 4569 Eurostyle Deadlatch Handles, 4590, 4591 Paddles, 4600 Deadlatch Handle	Standard 1" length, 1-5/32" diameter mortise cylinder with MS® cam such as 4036 Mortise Cylinder, 4066 Thumbturn MS4043 Cylinder guard	4104 Mounting Bridge, 91-0965 Mounting Kit for radiused door, 91-0966 Mounting Kit for beveled door, 26-00090XX Tube Spacer, 4901, 4902 Deadlatch Strikes

4530

Standard Duty Deadlatch

4530 Standard Duty Deadlatches provide flexible traffic control during and after business hours. Designed to retrofit into the prep of older MS1850 Deadlocks and discontinued 4250 Deadlatches.

Function

The 4530 Standard Duty Deadlatch offers flexibility of traffic control during and after business hours. A reverse turn of the key while the bolt is held retracted retains the bolt to allow two-way traffic for healthcare, financial institutions, retail, and other applications that require free entrance at certain times and exit-only at other times. 4530 Deadlatches are designed to fit without alteration, the stile cutout for older MS1850 Series Deadlocks and discontinued 4250 Deadlatches of same backset.

Operation

Turn key or operate handle to retract spring-loaded Latchbolt. To hold bolt retracted, push it in and secure by reverse turn of key. Lock accepts any standard 1" [25.4 mm] length, 1-5/32" [29.4 mm] diameter mortise cylinder with MS® cam such as the 4036 Mortise Cylinder or thumbturn such as the 4066 Thumbturn, available separately. Lock accepts cylinder from either or both sides.



Features

Cylinder Backset

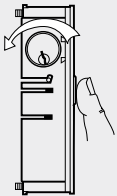
7/8" [22.2 mm], 31/32" [24.6 mm], or 1-1/8" [28.6 mm] only.

Case

Steel with corrosion-resistant plating. Measures 1" x 5-13/16" x depth [25.4 mm x 147.6 mm x depth]. Depth varies by backset (see table on back of page).

Bolt Holdback

While bolt is held fully retracted, a reverse turn of the key retains the bolt, allowing the door to be free swinging.

**Latchbolt**

All metal with hardened steel internal pins. Handing is reversible without special tools. Measures 1/2" x 1" x 1/2" [12.7 mm x 25.4 mm x 12.7 mm] throw.

Auxiliary Bolt

All metal. Deadlocks latchbolt to prevent "loiding" or case-knife entry.

Faceplate

Measures 1-1/4" x 7-13/32" [31.8 mm x 188.1 mm].

Strike

Standard strike furnished is 4901-01 for flat jamb.

Standard Package

Individually boxed with strike plate and mounting screws. Cylinder, paddle, handle available separately.

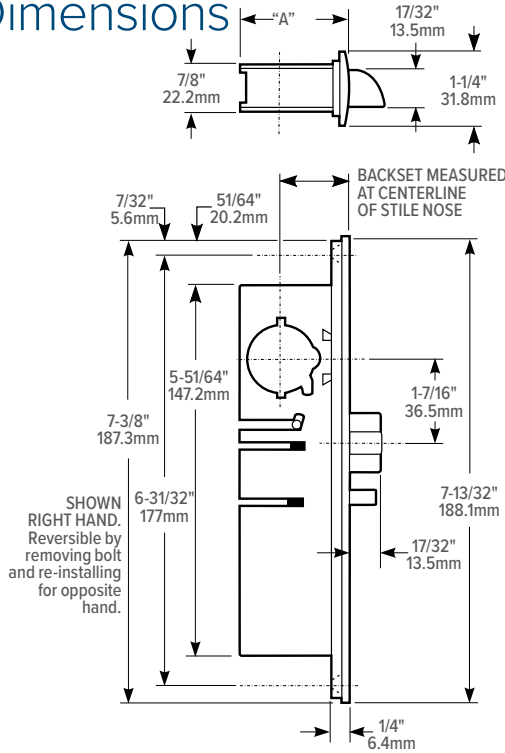
Shipping Weight

1-1/4 lbs [0.57 kg]

Options

- Backset, faceplate shape, strike, handing, and finish must be specified when ordering.
- Available without faceplate or strike plate, select 4533.
- Available in choice of 313 Dark bronze anodized, 335 Black anodized, 628 Clear anodized.

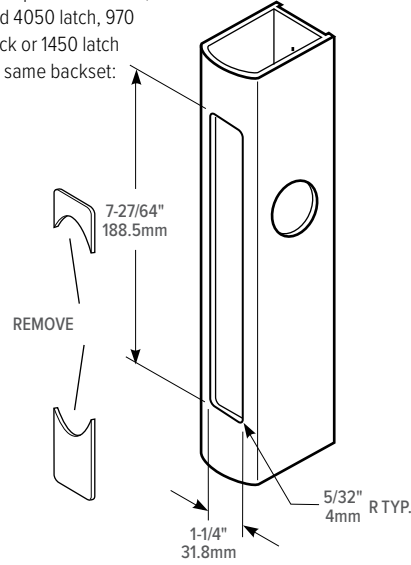
Dimensions



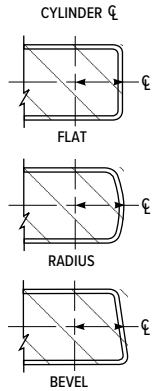
Stile & Jamb Preparation

To replace old MS1850 lock or 4250 latch of same backset: **No Preparation Required**

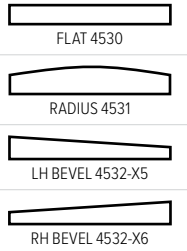
To replace 4070 lock, old 4050 latch, 970 lock or 1450 latch of same backset:



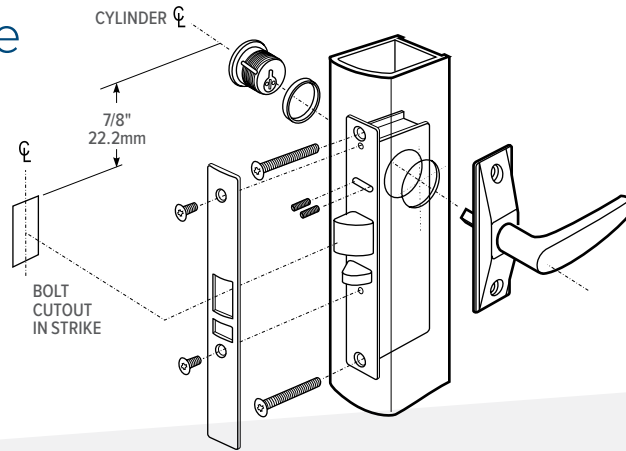
HOW BACKSET IS MEASURED:



ARMORED FACEPLATE
1-1/4" x 7-13/32"



Latch Paddle & Cylinder Installation



BACKSET	"A"
7/8" 22.2mm	1-33/64" 38.5mm
31/32" 24.6mm	1-19/32" 40.5mm
1-1/8" 28.6mm	1-49/64" 44.8mm

How to Order & Related Products

4530 Standard Duty Deadlatch: Specify quantity and the following information. Order related products separately.

MODEL	FACEPLATE	BACKSET	HANDING	STRIKE SIZE	STRIKE SHAPE/ LIP LENGTH	FACEPLATE FINISH
453	1	- 3	6	- 1	01	- 628
	0 Flat	1 7/8"	5 LH or RHR	1 Mortised (4901) 4-5/8"	01 Flat/Standard Jamb	313 Dark Bronze Anodized
	1 Radius	2 31/32"	6 RH or LHR	2 Mortised (4902) 2-5/8"	02 Radius/Standard Stiles	335 Black Anodized
	2 Bevel	3 1-1/8"			17 Flat/Center Hung 4" Jamb	628 Clear Anodized
	3 Without faceplate, without strike plate				21 Flat/Center Hung 4-1/2" Jamb	

RELATED PRODUCTS When purchasing this product, please consider the following related products, available separately:

ELECTRIC STRIKES	TRIM	CYLINDERS	ACCESSORIES
7100/7101, 7110/7111, 7130/7131, 7140 Electric Strikes, 7400/7401, 7410/7411, 7430/7431, 7440 Electric Strikes	3090-150, 4565 Deadlatch Handles, 4568, 4569 Eurostyle Deadlatch Handles, 4590, 4591 Paddles, 4600 Deadlatch Handle	Standard 1" length, 1-5/32" diameter mortise cylinder with MS® cam such as 4036 Mortise Cylinder, 4066 Thumbturn MS4043 Cylinder guard	4104 Mounting Bridge, 91-0965 Mounting Kit for radiused door, 91-0966 Mounting Kit for beveled door, 26-00090XX Tube Spacer, 4901, 4902 Deadlatch Strikes

4781

Two-Point Deadlatch with Paddle

The 4781 Two-Point Deadlatch latches to header and threshold allowing both door leaves to remain active. It is designed for paired out-swinging narrow stile doors, but is also suitable for single doors.

Function

Designed for paired out-swinging narrow stile doors, but also suitable for single doors. Instead of operating a conventional horizontal-throw latchbolt, the 4781 Two-Point Deadlatch latches to header and threshold. This allows both door leaves to be "active". There is no need to pin one door with flush bolts or other devices. The paddle is a modified version of the 4591 Deadlatch Paddle and the concealed vertical rod mechanism is the same as used in Adams Rite's 8600 Series Exit Devices. Note however, that the 4781 Two-Point Deadlatch is not intended to substitute for an exit device, which must have a door-spanning bar.

Operation

Inside: Push paddle to unblock top bolt and withdraw bottom bolt. Continuing to push will open the door in a very natural, ergonomically-friendly motion. Paddle stroke is approximately 1-1/2" [38.1 mm] at extreme end. Rod adjustment allows paddle (centerline) to be mounted at any height from 30 to 44 inches above the finished floor.

Outside: If key entry operation is required, any standard mortise cylinder with MS® cam can be installed through an 8650 Cylinder Escutcheon. 3080 Entry Trim compatible with Adams Rite exit devices can be specified in the version used for CVR devices.



Features

Paddle Dogging

Turning hex screw in paddle escutcheon holds paddle down, leaving door free-swinging.

Strike

A flanged post installed on the header has generous location adjustment to allow for door misalignment, sag, bumpers, etc. Designed to prevent forced entry by bowing the door.

Threshold Bolt

Stainless hexagonal steel bolt requires only a 1/2" [12.7 mm] diameter hole in threshold for a strike.

Top Bolt

Similar to door latches on some automobiles and aircraft, the

U-shaped bolt wraps around the strike post to deadlock position, which also deadlocks the bottom bolt through a gear train at the center of the rod assembly.

Door Size

Standard unit will fit doors up to 66" [1676.4 mm] above the paddle height. 110" [2794 mm] door if paddle is at max 44" [1117.6 mm] height.

Standard Package

Individually boxed with mounting screws and installation instructions.

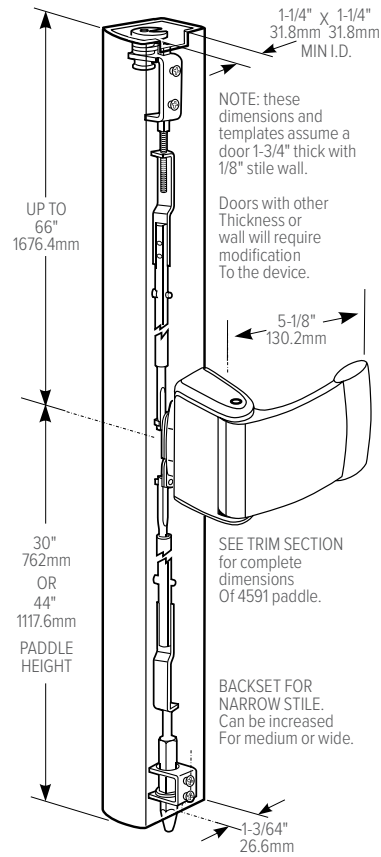
Shipping weight

3 lbs [1.36 kg].

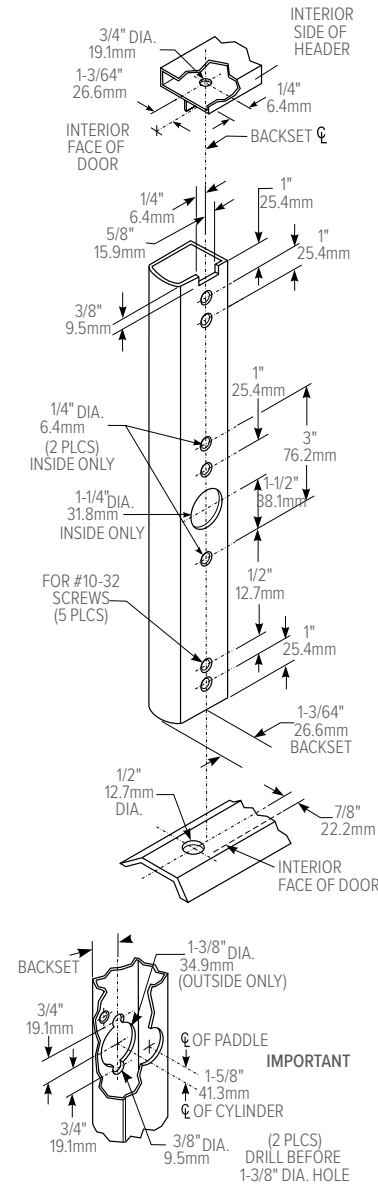
Options

- Can be exit only or allow key access from outside with use of 8650 Cylinder Escutcheon. 3080 Entry Trim can also be specified in the version used for CVR devices.
- For taller doors, order 8655 Tall Door Kit, which allows up to 97" above paddle.
- Available in choice of 313 Dark bronze anodized, 335 Black anodized, 628 Clear anodized, US26D (626) Satin chrome.

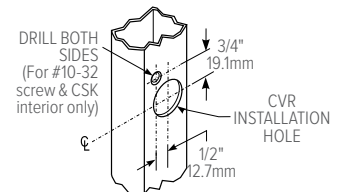
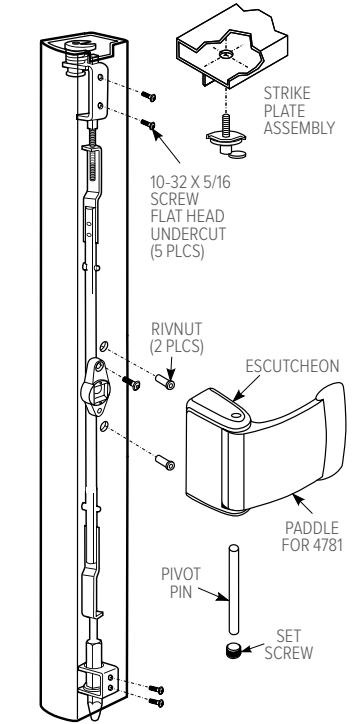
Dimensions



Door Preparation with 8650 Cylinder Escutcheon*



Installation



*OTHER CYLINDER ESCUTCHEONS for use with 17mm profile cylinders (in 44 or 55mm thick doors only) are also available and require different door prep than shown.

How to Order & Related Products

4781 Two-Point Deadlatch with Paddle: Specify quantity and the following information. Order related products separately.

MODEL	ROD TYPE	OPERATION	PADDLE FINISH
4781	T	- 021	- 628
	T Top Rod Only	021 Push to Left	313 Dark Bronze Anodized
	— Standard Rod	041 Push to Right	335 Black Anodized
			628 Clear Anodized
			US26D Satin Chrome

RELATED PRODUCTS When purchasing this product, please consider the following related products, available separately:

TRIM	CYLINDERS	ACCESSORIES
3080 Series Entry Trim	Standard 1" length, 1-5/32" diameter mortise cylinder with MS® cam such as 4036 Mortise Cylinder MS4043 Cylinder guard	8650 Cylinder Escutcheon, 8655 Tall Door Kit

4900

Heavy Duty Deadlatch

4900 Heavy Duty Deadlatch provides flexible traffic control and easy installation.



Aluminium

Swinging
Door

MS® Prep

Function

Flexibility of traffic control and easy installation is offered by 4900 Series Heavy Duty Deadlatches. A key-controlled bolt hold-back feature allows for two-way traffic for applications which require free entrance at certain times and exit-only at other times. This allows a "locked" entrance to be used as an exit by visitors already in the building. 1-3/4" [44.5 mm] minimum door thickness required. Interchangeable, without stile modification, with any MS1850S deadbolt of same backset and faceplate shape. Also retrofits to existing 4510 and discontinued 4700 Deadlatch preparations.

Operation

Turn key or operate handle or paddle to retract spring-loaded latchbolt. To hold bolt retracted, push it in and secure by reverse turn of key. Lock accepts any standard 1" [25.4 mm] length, 1-5/32" [29.4 mm] diameter mortise cylinder with MS® cam such as the 4036 Mortise Cylinder or thumbturn such as the 4066 Thumbturn, available separately. Lock accepts cylinder from either or both sides.



Features

Cylinder Backset

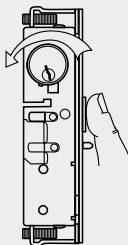
31/32" [24.6 mm], 1-1/8" [28.6 mm], or 1-1/2" 38.1 mm].

Case

Steel with corrosion-resistant plating. Measures 7/8" x 5-13/16" x depth [22.2 mm x 147.6 mm x depth]. Depth varies by backset (see table on back of page). Screw-fastened tube spacer brackets allow for cleaner removal when tab mounting.

Bolt Holdback

While bolt is held fully retracted, a reverse turn of the key retains the bolt, allowing the door to be free swinging.



Latchbolt

Solid brass. Handing is easily reversible without special tools. Measures 5/8" x 1" x 5/8" [15.9 mm x 25.4 mm x 15.9 mm] throw.

Auxiliary Linchpin

Stainless steel. Deadlocks latch bolt to prevent "loiding" or case-knife entry.

Faceplate

Measures 1" x 6-7/8" [25.4 mm x 174.6 mm]. Both flat and radius faceplates are supplied. Flat faceplates can also be adjusted in the field for right or left beveled edge doors.

Strike

Standard strike furnished is 4902 for flat jamb where door closes flush or nearly flush. Specify 4901 for retrofit installations. Also available: radius strike for opposite stile in paired doors and long lip strikes for center-hung doors.

Standard Package

Individually boxed with strike plate, flat and radius faceplates, and mounting screws. Cylinder, paddle, handle available separately.

Shipping Weight

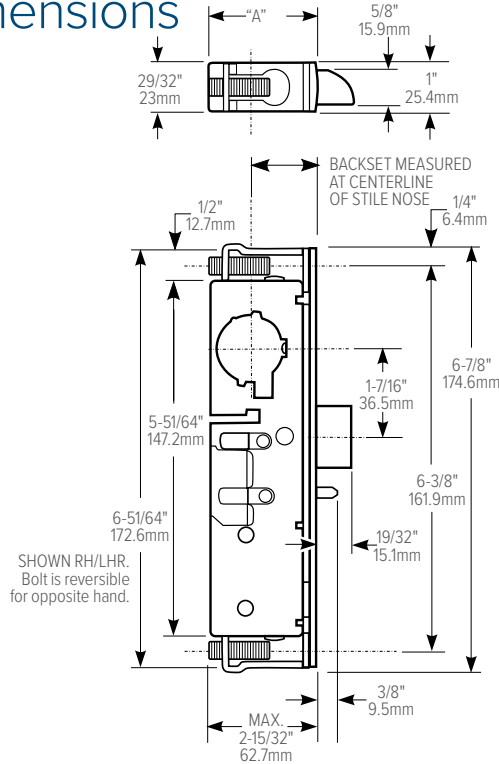
1-1/4 lbs [0.57 kg].

Options

- Backset, faceplate shape, strike, handing, and finish must be specified when ordering. See 4920AN Heavy Duty Deadlatch (ANSI Size) for wood and hollow metal door applications.
- Available without faceplate or strike plate, select 4913.
- Available in choice of 313 Dark bronze anodized, 335 Black anodized, 628 Clear anodized.

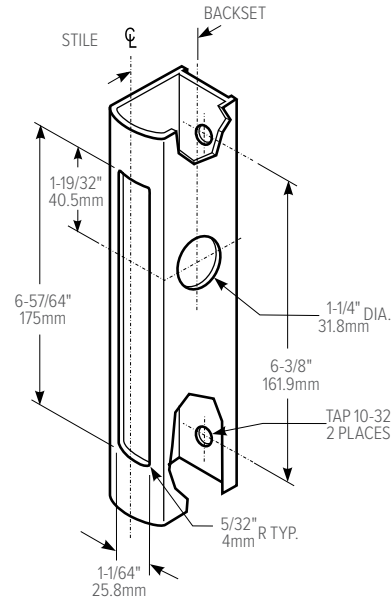
All measurements are approximate and are provided for informational purposes only. Refer to the product Installation Instructions.

Dimensions

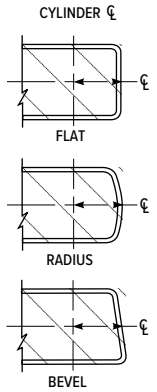


Stile Preparation

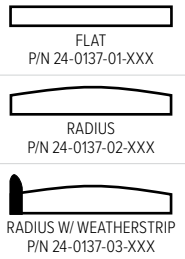
Identical to MS1850A or MS1850S Series (See also prep for 4591 paddle).



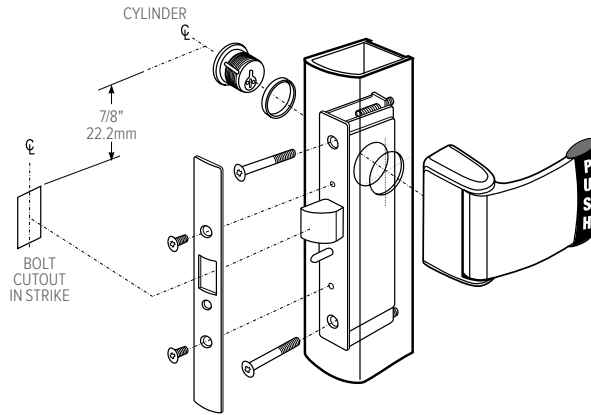
HOW BACKSET IS MEASURED:



ARMORED FACEPLATE 1" X 6-7/8"



Latch Paddle & Cylinder Installation



BACKSET	"A"
31/32" 24.6mm	1-5/8" 41.3mm
1-1/8" 28.6mm	1-49/64" 44.8mm
1-1/2" 38.1mm	2-9/64" 54.4mm

Flat faceplate can be adjusted for right or left beveled edge doors.

How to Order & Related Products

4900 Heavy Duty Deadlatch: Specify quantity and the following information. Order related products separately.

MODEL	FACEPLATE	BACKSET	HANDING	STRIKE SIZE	STRIKE SHAPE/LIP LENGTH	FACEPLATE FINISH
49	00	- 3	5	- 2	01	- 628
	00 Standard	2 31/32"	5 LH or RHR	1 Mortised (4901) 4-5/8"	01 Flat/Standard Jamb	313 Dark Bronze Anodized
	11W Radius with Weatherstrip	3 1-1/8"	6 RH or LHR	2 Mortised (4902) 2-5/8"	02 Radius/Standard Stile	335 Black Anodized
	13 Without faceplate, without strike plate	4 1-1/2"			17 Flat/Center Hung 4" Jamb	628 Clear Anodized
					21 Flat/Center Hung 4-1/2" Jamb	

RELATED PRODUCTS When purchasing this product, please consider the following related products, available separately:

ELECTRIC STRIKES	TRIM	CYLINDERS	ACCESSORIES
7100/7101, 7110/7111, 7130/7131, 7140 Electric Strikes, 7400/7401, 7410/7411, 7430/7431, 7440 Electric Strikes	3080, 3080E Series Entry Trim, 3090-150, 4560, 4565 Deadlatch Handles, 4568, 4569 Eurostyle Deadlatch Handles, 4590, 4591 Paddles, 4600 Deadlatch Handle	Standard 1" length, 1-5/32" diameter mortise cylinder with MS® cam such as 4036 Mortise Cylinder, 4066 Thumbturn 4043 Cylinder guard	4104 Mounting Bridge, 91-0965 Mounting Kit for radiused door, 91-0966 Mounting Kit for beveled door, 26-00090XX Tube Spacer, 4901, 4902 Deadlatch Strikes

4920AN

Heavy Duty Deadlatch (ANSI Size)

4920AN Heavy Duty Deadlatch provides flexible traffic control and easy installation for wood or hollow metal doors.

Hollow
Metal

Wood

Swinging
Door

Function

Flexibility of traffic control and installation is offered by 4920AN Heavy Duty Deadlatches. A key-controlled bolt hold-back feature allows for two-way traffic for applications which require free entrance at certain times and exit-only at other times. This allows a "locked" entrance to be used as an exit by visitors already in the building. 1-3/4" [44.5 mm] minimum door thickness required. Interchangeable, without stile modification, with any MS1850SN Deadlock of same backset and faceplate shape. Replaces 4520 and discontinued 4720 ANSI Deadlatches. For hollow metal or wood doors prepared for hardware according to the specifications of the American National Standards Institute (ANSI).

Operation

Turn key or operate handle or paddle to retract spring-loaded latchbolt. To hold bolt retracted, push it in and secure by reverse turn of key. Lock accepts any standard 1" [25.4 mm] length, 1-5/32" [29.4 mm] diameter mortise cylinder with MS® cam such as the 4036 Mortise Cylinder or thumbturn such as the 4066 Thumbturn, available separately. Lock accepts cylinder from either or both sides.



Features

Cylinder Backset

1-1/2" [38.1 mm] or
2-3/4" [69.9 mm] only.

Case

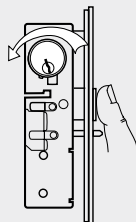
Steel with corrosion-resistant plating. Measures 7/8" x 5-13/16" x depth [22.2 mm x 147.6 mm x depth]. Depth varies by backset (see table on back of page).

Bolt Holdback

While bolt is held fully retracted, a reverse turn of the key retains the bolt, allowing the door to be free swinging.

Latchbolt

Solid brass. Handing is easily reversible without special tools. Measures 5/8" x 1" x 5/8" [15.9 mm x 25.4 mm x 15.9 mm] throw.



Auxiliary Linchpin

Stainless steel. Deadlocks Latchbolt to prevent "loiding" or case-knife entry.

Faceplate

Measures 1-1/4" x 8" [31.8 mm x 203.2 mm] armored flat faceplate can also be adjusted in the field for right or left beveled edge doors.

Strike

4506-02 Strike furnished to ANSI preparation specifications for flat jamb. Stainless steel, US32D Satin finish (630). Available without strike (-000).

Standard Package

Individually boxed with strike plate, faceplate, and mounting screws. Cylinder, paddle, handle available separately.

Shipping Weight

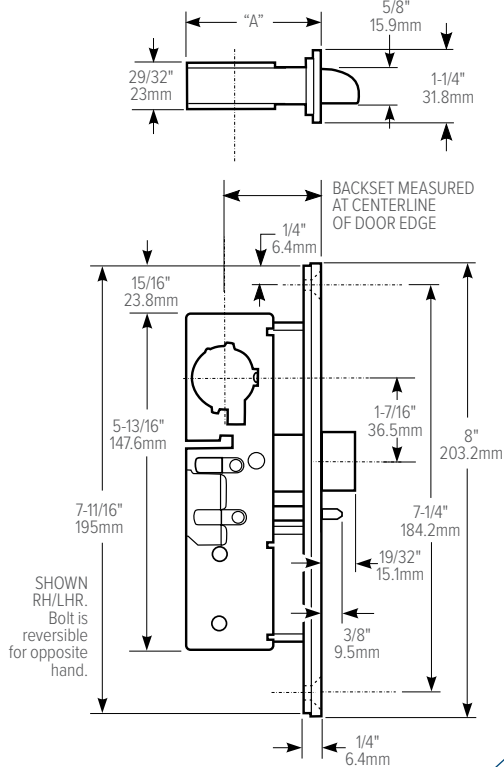
1-1/4 lbs [0.57 kg].

Options

- Backset, faceplate shape, strike, handing, and finish must be specified when ordering. See 4900 Heavy Duty Deadlatch for aluminum stile door applications.
- Available without faceplate and strike, select 4923AN.
- Available in choice of 313 Dark bronze anodized, 335 Black anodized, 628 Clear anodized.

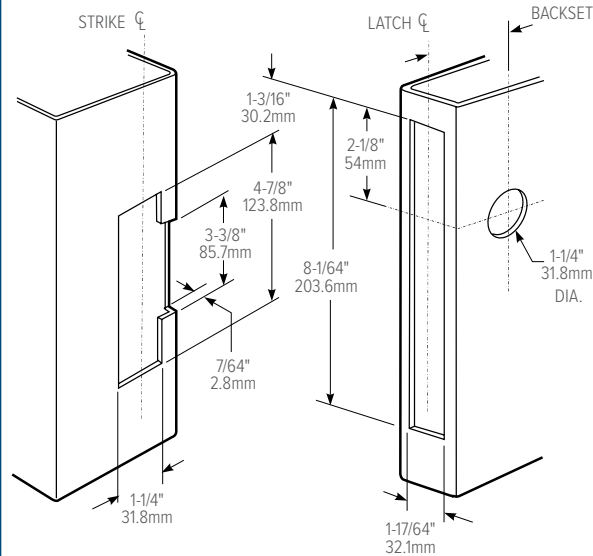
All measurements are approximate and are provided for informational purposes only. Refer to the product Installation Instructions.

Dimensions

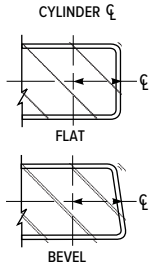


Stile Preparation

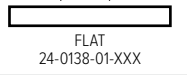
Identical to MS1850SN Series (See also prep for 4591 paddle).



HOW BACKSET IS MEASURED:



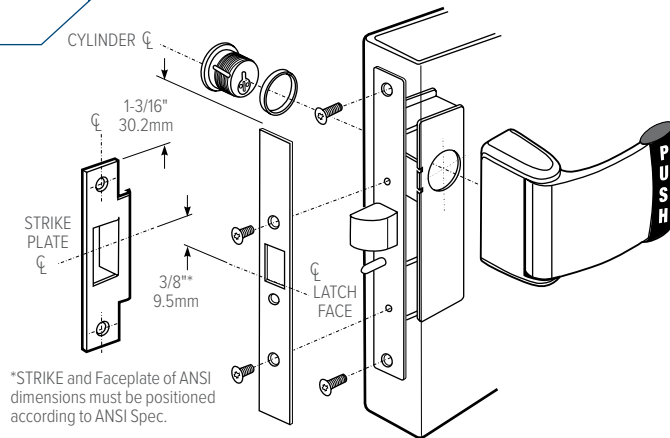
ARMORED FACEPLATE 1-1/4" X 8"



Flat faceplate can be adjusted for right or left beveled edge doors.

BACKSET	"A"
1-1/2" 38.1mm	2-9/64" 54.4mm
2-3/4" 69.9mm	3-25/64" 86.1mm

Latch Paddle & Cylinder Installation



How to Order & Related Products

4920AN Heavy Duty Deadlatch (ANSI Size) Specify quantity and the following information. Order related products separately.

MODEL	FACEPLATE	BACKSET	HANDING	STRIKE	FACEPLATE FINISH
492	OAN	4	6	- 602	- 313
	OAN Flat	4 1-1/2"	5 LH or RHR	000 Less Strike	313 Dark Bronze Anodized
	3AN Without faceplate, without strike plate	5 2-3/4"	6 RH or LHR	602 4506 Strike	335 Black Anodized 628 Clear Anodized

RELATED PRODUCTS When purchasing this product, please consider the following related products, available separately:

ELECTRIC STRIKES	TRIM	CYLINDERS	ACCESSORIES
7100/7101, 7110/7111, 7130/7131, 7140 Electric Strikes, 7400/7401, 7410/7411, 7430/7431, 7440 Electric Strikes	3080, 3080E Series Entry Trim, 3090-150, 4560, 4565 Deadlatch Handles, 4568, 4569 Eurostyle Deadlatch Handles, 4590, 4591 Paddles, 4600 Deadlatch Handle	Standard 1" length, 1-5/32" diameter mortise cylinder with MS® cam such as 4036 Mortise Cylinder, 4066 Thumbturn, 4043 Cylinder guard	4506-02 Deadlatch Strikes

Options & Accessories

Adams Rite Deadlatches can be ordered with a variety of related products including strike plates, cylinder accessories, electric strikes and trim. Different deadlatches have different installation and cylinder requirements. Please refer to product pages for more information on all available deadlatch types, functions, installation requirements and complete How-to-Order guides. For more detailed information on any of the products listed below please refer to the corresponding section of this catalog.

Accessories

4901, 4902 Deadlatch Strikes

4901, 4902 Deadlatch Strikes add aesthetics and finish to strike cutouts in jambs. These strikes offer a choice of mounting methods: a backup mounting plate included with the 4901 and 4902 allows installation flush in a hollow section jamb. 4506-02 ANSI strike available for wood or steel jambs. See images on next page.

Cylinders

4036 Mortise Cylinder

The 4036 Mortise Cylinder is a standard 1" long, 1-5/32" diameter cylinder that provides five-pin security with most Adams Rite locks or latches.

4066 Thumbturn

The 4066 Thumbturn interchanges with standard 1-5/32" diameter mortise cylinder and operates locks or latches without a key.

MS 4043 Cylinder Guard

The MS4043 Cylinder Guard is a hardened-steel, free-swiveling ring to protect cylinder from vandalism such as prying or twisting.

Electric Strikes

7100, 7400 Series Electric Strikes

The 7100 Series Electric Strikes and Ultraline 7400 Series Electric Strikes are designed for use with Adams Rite deadlatches or cylindrical locksets with a variety of latchbolt projections. An assortment of faceplate dimensions is available for use in hollow metal, wood or aluminum applications.

Power

4603 Rectifier

Converts low voltage AC current to DC of same voltage. Installs in low voltage line between transformer and strike. Full wave bridge type. Rated 2 Amps. (200 PIV).

4605 Transformer

Converts 120 VAC to 12 VAC/24VAC. Rated 40 Volt-amp output assures plenty of power for strike release.

4606 Transformer

Converts 120 VAC current to 24 VAC. Plugs into standard wall outlet.

29-0218 Piezo Horn

Provides for audible indication of when a DC strike is energized. Operates with 12 VDC, 16 VDC, or 24 VDC strikes.

4612 Power Transfer Device

The 4612 Power Transfer Device channels electrical wiring from the door frame into the door itself. This powers electric strikes, locks, exit bars, and more on door hung with butt-type hinges.

PS -1 Power Supply

One amp linear power supply with integrated battery backup circuitry for access control devices.

Trim

3080 Series Entry Trim

The 3080 Series Entry Trim provides outside activation for doors with any type of Adams Rite deadlatch or exit device. The locked handle is protected from vandalism and forced entry with a breakaway clutching mechanism.

3090 Keyless Entry

A battery-operated keyless entry control device, the eForce-150 3090 Keyless Entry provides access control for Adams Rite deadlocks, deadlatches, and exit devices for aluminum stile, steel, and wood door applications.

Deadlatch Handles

The 4560 and 4565 Deadlatch Handles and 4568 and 4569 Euro Deadlatch Handles easily unlock the 4300, 4500 and 4900 Series Deadlatches. These handles fit solidly into the cylinder hole of the latch.

Deadlatch Paddles

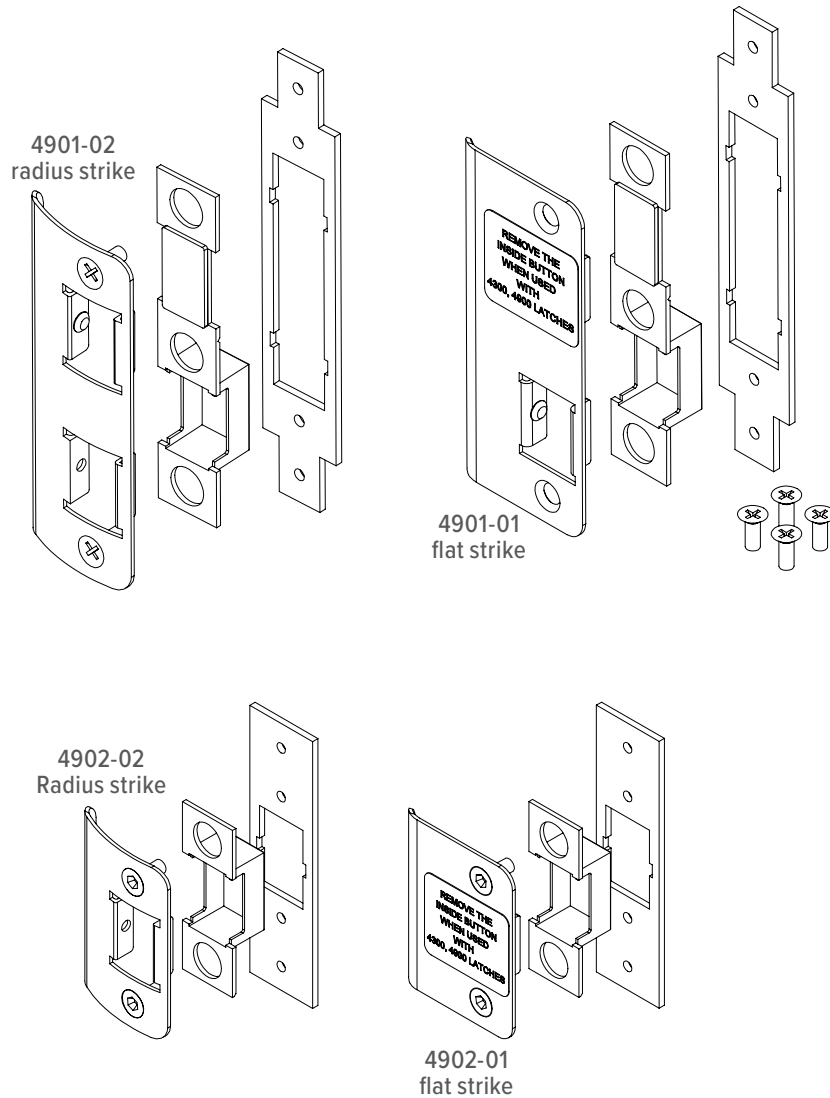
The 4590, 4591 Deadlatch Paddle is an ergonomically-friendly alternative to a knob or lever handle. Operate the 4300, 4500 and 4900 Series Deadlatches with a simple push or pull.

4600 Heavy Duty Deadlatch Handle

The 4600 Heavy Duty Designer Deadlatch Handles are designed with a patented adjustable drive mechanism to operate the 4300, 4500, and 4900 Series Deadlatches.

Deadlatch Strikes

4901, 4902





| Flushlocks



1870 Series

Cylinder-Operated Flushbolt

Designed for greater key control, the 1870 Cylinder-Operated Flushbolt prevents accidental locking of the inactive leaf of narrow stile aluminum paired doors. May be installed to lock at threshold or at header.



Aluminum



Swinging Door

MS® Prep

Function

Designed for use instead of conventional flip-lever operated flushbolts, 1870 Cylinder-Operated Flushbolts give building management key control of the inactive leaf of paired narrow stile aluminum doors. Prevents casual locking of the inactive leaf by unauthorized persons. Uses same basic over-center action mechanism as MS® pivoted bolt deadlocks. Recommended for installation at both top and bottom of inactive door with MS1850S MS Deadlock in active door for greatest security. May be installed to lock at threshold or at header.

Operation

360° turn of key throws or retracts the hex-section bolt. Key can be removed only when bolt is in a positively locked or unlocked position. Lock accepts any standard 1" [25.4 mm] length, 1-5/32" [29.4 mm] diameter mortise cylinder with MS® cam such as the 4036 Mortise Cylinder, or thumbturn such as the 4066 Thumbturn, available separately. Lock accepts cylinder from either or both sides.



Features

Cylinder Backset

31/32" [24.6 mm] or 1-1/8" [28.6 mm] only.

Cylinder Height

Standard length (cylinder center to retracted bolt tip) is 12" [304.8 mm] with ± 1-1/4" [31.8 mm] adjustment. Please contact factory for other lengths available by special order.

Case

Steel with corrosion-resistant plating. Measures 1" x 6" x depth [25.4 mm x 152.4 mm x depth]. Depth varies by backset (see table on back of page).

Bolt

Stainless steel. Hexagonal 3/8" [9.5 mm] flat to flat, with 11/16" [17.5 mm] throw.

Strike

1/2" [12.7 mm] diameter hole in metal threshold or header is suitable. For wood thresholds, 4005 Strike is available separately.

Faceplate

Measures 1" x 6-7/8" [25.4 mm x 174.6 mm]. Available in choice of 313 Dark bronze anodized, 335 Black anodized, 628 Clear anodized.

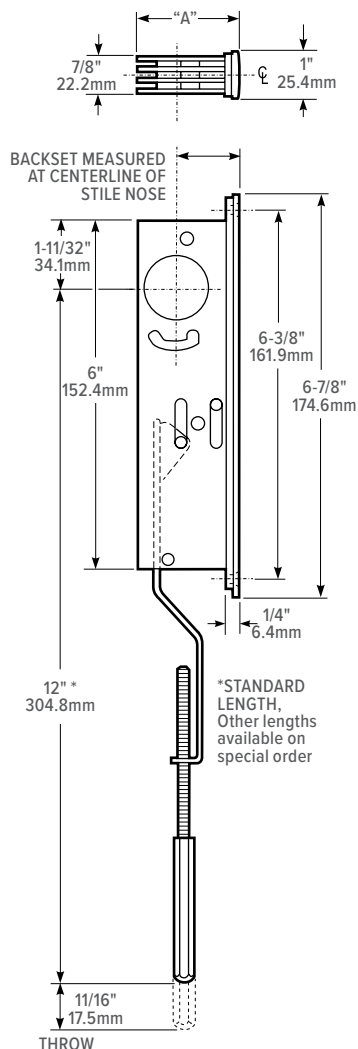
Standard Package

Flushlock mechanism boxed with actuator arm attached, rod/bolt assembly unattached. Stainless steel bolt guide, mounting screws, and installation instructions included. Cylinder available separately.

Shipping Weight

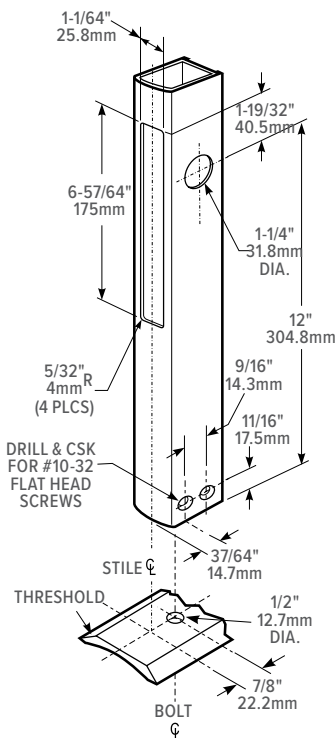
1-1/4 lbs [.57 kg].

Dimensions

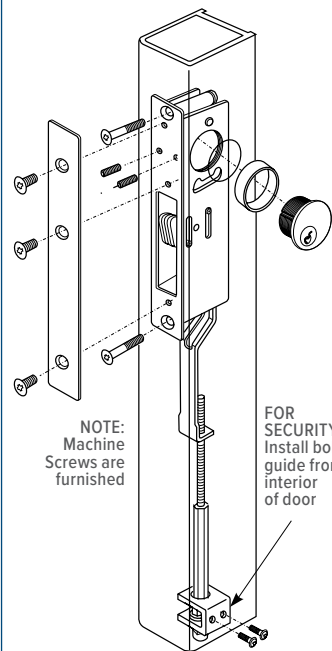


Stile Preparation

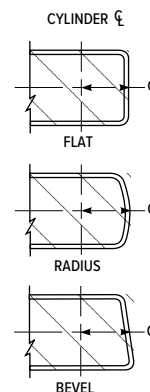
For installation locking threshold. Invert for header locking.



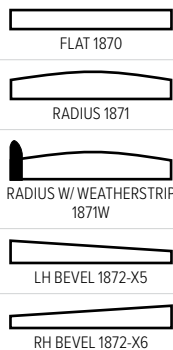
Lock & Cylinder Installation



HOW BACKSET IS MEASURED:



ARMORED FACEPLATE 1" X 6-7/8"



BACKSET	"A"
31/32" 24.6mm	1-5/8" 41.3mm
1-1/8" 28.6mm	1-25/32" 45.2mm

How to Order & Related Products

1870 Cylinder-Operated Flushbolt Specify quantity and the following information. Order related products separately.

MODEL	FACEPLATE SHAPE	BACKSET	HANDING	FINISH
1870	0	- 2	0	- 628
	0 Flat	2 31/32"	1 Non-Handed*	313 Dark Bronze Anodized
	1 Radius	3 1-1/8"	5 LH or RHR	335 Black Anodized
	1W Radius with weatherstrip		6 RH or LHR	628 Clear Anodized
	2 Bevel			

*Any flat or radius faceplate.

RELATED PRODUCTS When purchasing this product, please consider the following related products, available separately:

CYLINDERS	ACCESSORIES	SPECIAL ORDER OPTIONS
Standard 1" length, 1-5/32" diameter mortise cylinder with MS® cam such as 4036 Mortise Cylinder, 4066 Thumbturn MS4043 Cylinder guard	4005 strike for wood threshold 4104 Mounting Bridge, 91-0965 Mounting Kit for radiused door, 91-0966 Mounting Kit for beveled door, 26-00090XX Tube Spacer	Other cylinder height / length available by special order. Please contact factory.

1870HM

Cylinder-Operated Flushbolt

Designed for greater key control, the 1870HM Cylinder-Operated Flushbolt prevents accidental locking of the inactive leaf of paired hollow metal doors. May be installed to lock at threshold or at header.



Function

Designed for use instead of conventional flip-lever operated flushbolts, 1870HM Cylinder-Operated Flushbolts give building management key control of the inactive leaf of paired hollow metal doors. Prevents casual locking of the inactive leaf by unauthorized persons. Uses same basic over-center action mechanism as MS® pivoted bolt deadlocks. Recommended for installation at both top and bottom of inactive door with MS1850SN MS Deadlock in active door for greatest security. May be installed to lock at threshold or at header.

Operation

360° turn of key throws or retracts the hex-section bolt. Key can be removed only when bolt is in a positively locked or unlocked position. Lock accepts any standard 1" [25.4 mm] length, 1-5/32" [29.4 mm] diameter mortise cylinder with MS® cam such as the 4036 Mortise Cylinder, or thumbturn such as the 4066 Thumbturn, available separately. Lock accepts cylinder from either or both sides.



Features

Cylinder Backset

1-1/4" [31.8 mm] only.

Cylinder Height

Standard length (cylinder center to door end) is 13-1/2" [342.9 mm]. Please contact factory for other lengths available by special order.

Case

Steel with corrosion-resistant plating. Measures 7/8" x 6" x 1-21/32" [22.2 mm x 152.4 mm x 42.1 mm].

Bolt

Stainless steel. Hexagonal 3/8" [9.5 mm] flat to flat, with 11/16" [17.5 mm] throw.

Strike

2-1/4" x 15/16" [57.2 mm x 23.8 mm] strike is supplied.

Faceplate

Measures 1" x 8" [25.4 mm x 203.2 mm]. Available in choice of 313 Dark bronze anodized, 335 Black anodized, 628 Clear anodized.

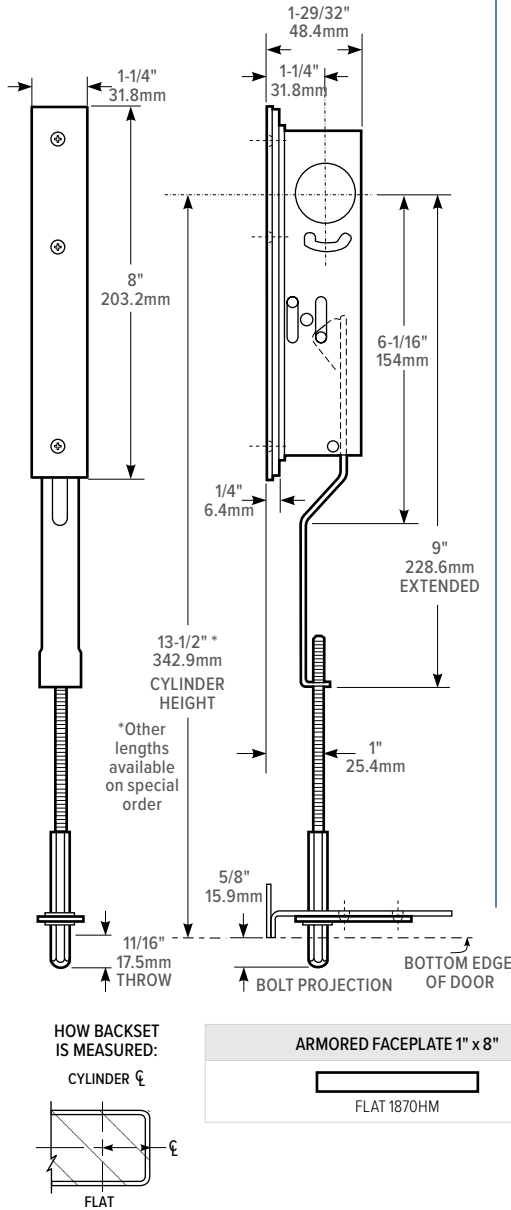
Standard Package

Flushlock mechanism boxed with actuator arm attached, rod/bolt assembly unattached. Stainless steel bolt guide, mounting screws, and installation instructions included. Cylinder available separately.

Shipping Weight

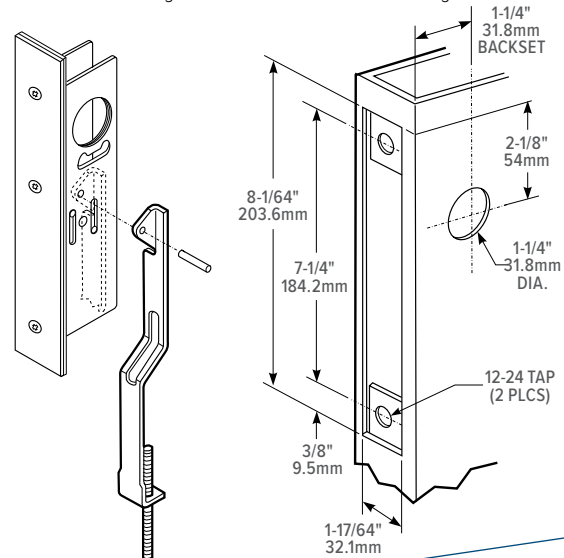
1-1/4 lbs [.57 kg].

Dimensions

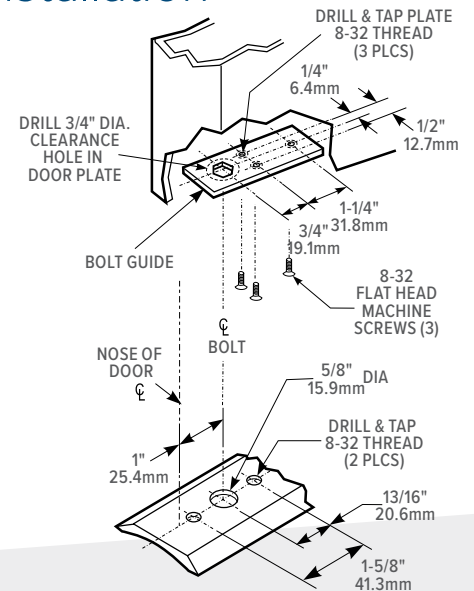


Door Preparation

For installation locking threshold. Invert for header locking.



Lock & Cylinder Installation



How to Order & Related Products

1870HM Cylinder-Operated Flushbolt: Specify quantity and the following information. Order related products separately.

MODEL	FACEPLATE SHAPE	FINISH
187	OHM	- 628
	OHM Flat	313 Dark Bronze Anodized
		335 Black Anodized
		628 Clear Anodized

RELATED PRODUCTS When purchasing this product, please consider the following related products, available separately:

CYLINDERS	ACCESSORIES	SPECIAL ORDER OPTIONS
Standard 1" length, 1-5/32" diameter mortise cylinder with MS® cam such as 4036 Mortise Cylinder, 4066 Thumbturn MS4043 Xylinder Guard	4104 Mounting Bridge, 91-0965 Mounting Kit for radiused door, 91-0966 Mounting Kit for beveled door, 26-00090XX Tube Spacer	Other cylinder height / length available by special order. Please contact factory.

1877

Cylinder-Operated Flushbolt

Designed for greater key control, the 1877 Cylinder-Operated Flushbolt prevents accidental locking of the inactive leaf of paired wood doors. May be installed to lock at threshold or at header.



Wood

Swinging
Door

Function

Designed for use instead of conventional flip-lever operated flushbolts, 1877 Cylinder-Operated Flushbolts give building management key control of the inactive leaf of paired wood doors. Prevents casual locking of the inactive leaf by unauthorized persons. Uses same basic over-center action mechanism as MS® pivoted bolt deadlocks. Recommended for installation at both top and bottom of inactive door with MS1837 MS Two-Point Deadlock in active door for greatest security. May be installed to lock at threshold or at header.

Operation

360° turn of key throws or retracts the hex-section bolt. Key can be removed only when bolt is in a positively locked or unlocked position. Lock accepts any standard 1" [25.4 mm] length, 1-5/32" [29.4 mm] diameter mortise cylinder with MS® cam such as the 4036 Mortise Cylinder, or thumbturn such as the 4066 Thumbturn, available separately. Lock accepts cylinder from either or both sides.



Features

Cylinder Backset

1-1/4" [31.8 mm] only.

Cylinder Height

Standard length (cylinder center to door end) is 13-1/2" [342.9 mm]. Please contact factory for other lengths available by special order.

Case

Steel with corrosion-resistant plating. Measures 1" x 6" x 1-29/32" [25.4 mm x 152.4 mm x 48.4 mm].

Bolt

Stainless steel. Hexagonal 3/8" [9.5 mm] flat to flat, with 11/16" [17.5 mm] throw.

Strike

2-1/4" x 15/16" [57.2 mm x 23.8 mm] strike is supplied.

Armored Faceplate

Measures 1-1/4" x 15-5/8" [31.8 mm x 396.9 mm]. Available in choice of 313 Dark bronze anodized, 628 Clear anodized, US3 (605) Bright brass, US26D (626) Satin chrome.

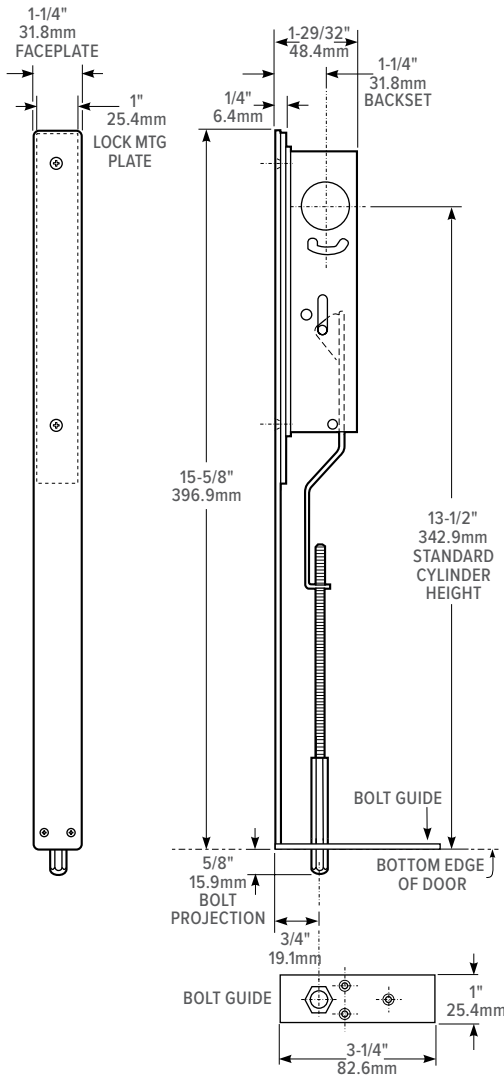
Standard Package

Flushlock mechanism boxed with actuator arm attached, rod/bolt assembly unattached. Stainless steel bolt guide, mounting screws, and installation instructions included. Cylinder available separately.

Shipping Weight

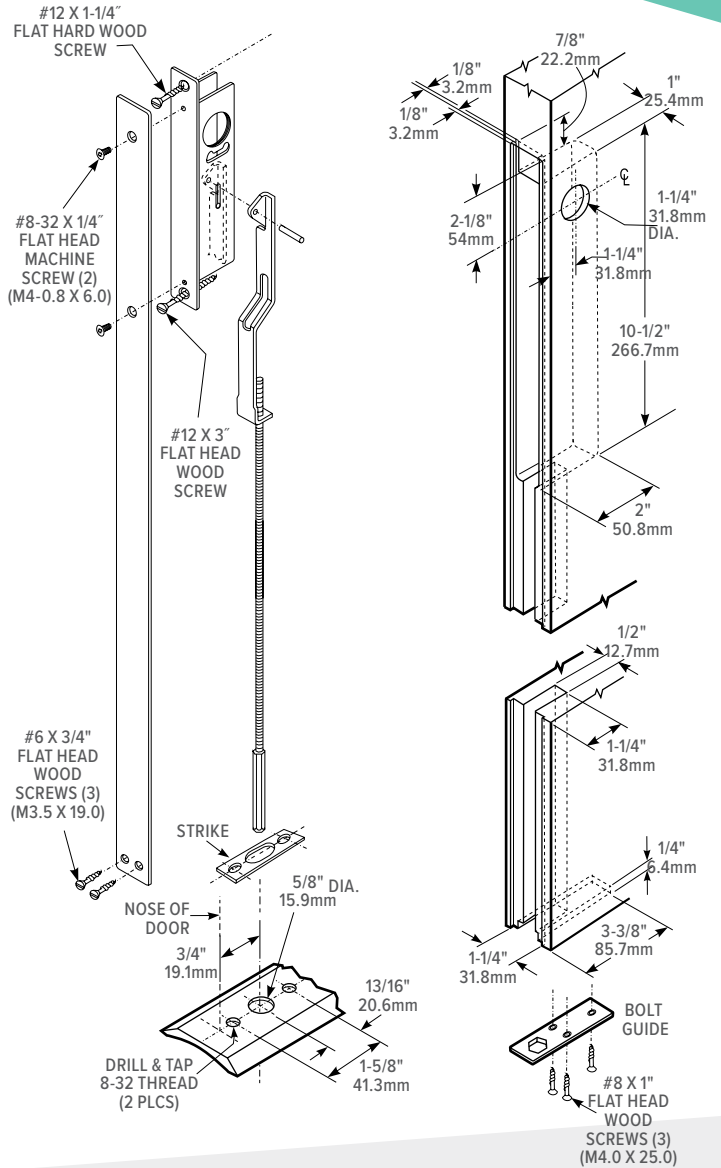
2 lbs [0.91 kg]

Dimensions



Installation

For installation locking threshold. Invert for header locking.



How to Order & Related Products

1877 Cylinder-Operated Flushbolt: Specify quantity and the following information. Order related products separately.

MODEL	FINISH
1877	- 628
	313 Dark Bronze Anodized
	605 Bright Brass
	626 Satin Chrome
	628 Clear Anodized

RELATED PRODUCTS When purchasing this product, please consider the following related products, available separately:

CYLINDERS	SPECIAL ORDER OPTIONS
Standard 1" length, 1-5/32" diameter mortise cylinder with MS® cam such as 4036 Mortise Cylinder, 4066 Thumbturn	Other cylinder height / length available by special order. Please contact factory.

MS1880

Two-Point Flushbolt

MS1880 Two-Point Flushbolts offer greater convenience than flip-lever flushbolts. With one operation, they provide security and reduce human error.

Function

Used instead of flip-lever flushbolts in the inactive leaf of paired doors, the MS1880 Two-Point Flushbolts offer greater convenience: one operation instead of two. They also promote security by removing an element of human error. A positive blocking device makes it impossible to turn the key in the active door unless the inactive leaf has first been secured. The MS1880 must be installed in conjunction with a pivoted bolt MS® deadlock. Cannot be unlocked when pivoted bolt is in locked position. **Not to be used as a standalone locking mechanism.**

Operation

Turn knob or lever 180° clockwise to throw hardened steel bolts into header and threshold and clear strike opening so pivoted MS® bolt can enter from active door. Counterclockwise turn retracts vertical bolts and blocks entry of pivoted bolt. Operates in conjunction with any MS® pivoting deadlock.



Features

Header | Threshold Bolt

Hexagonal 3/8" [9.5 mm] flat to flat. Stainless steel. Guides furnished. Bolt throw is 23/32" [18.3 mm]. Strike required in metal headers and thresholds is 1/2" [12.7 mm] diameter hole. For wood installation, two 4005 Strikes are required, available separately.

Interlock

All steel mechanism includes device to prevent entry of pivoted bolt until vertical bolts are locked and conversely, to prevent unlocking of vertical bolts when pivoted bolt is locked.

Turn Lever | Indicator

MS1880 has an hourglass-shaped turn for firmer finger grip. Red background indicator has aluminum letters reading "LOCKED" when secure. No message shown when unlocked.

MS1881 has a teardrop-shaped turn with red letters on clear decal indicating unlock direction only.

Turn Height

Matches cylinder height of MS® lock in active door.

Standard Package

Individually boxed with bolt guides and screws.

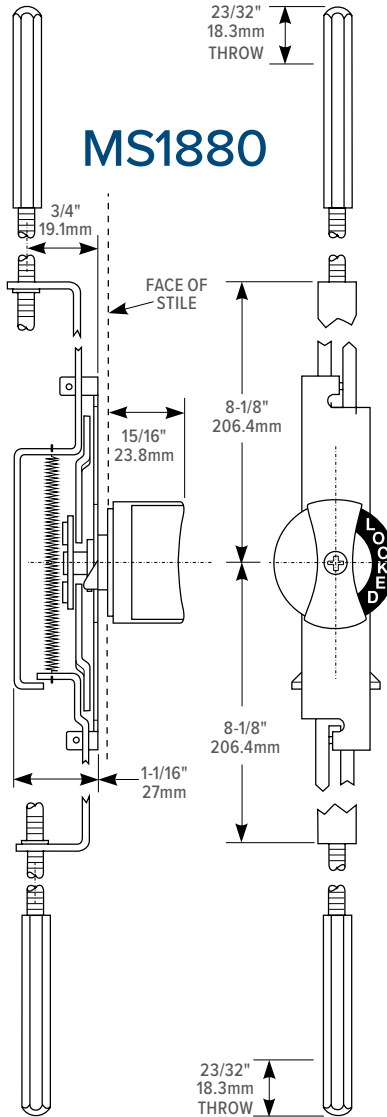
Shipping weight

2 lbs [.91 kg].

Options

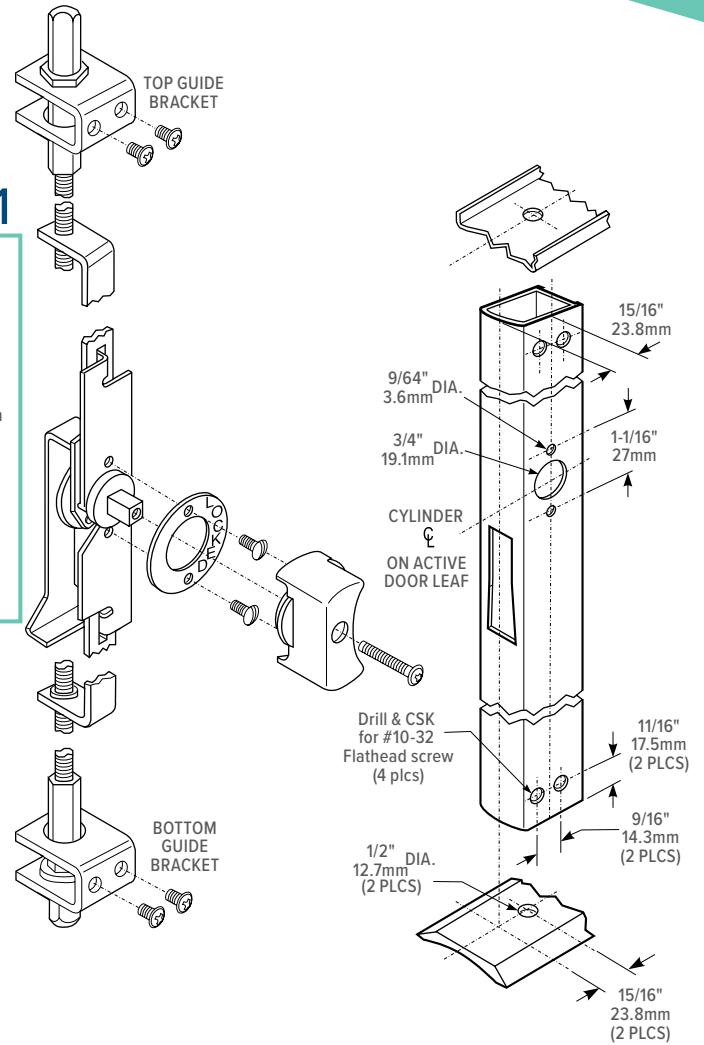
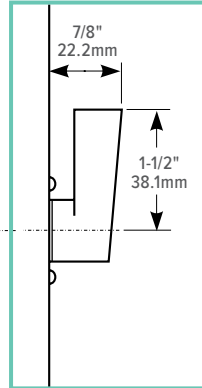
- For wood header or threshold, 4005 Strike available separately.
- For doors over 84" [2,133.6 mm] up to 120" [3,048 mm].
- Tall Door Kit TDK-1880 available separately.
- Available in choice of powder coat 119 to match 335 Black anodized, 121 to match 313 Dark bronze anodized, and US26D (682) Satin chrome.

Dimensions



Stile Preparation

MS1881



How to Order & Related Products

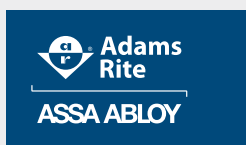
MS1880 Two-Point Flushbolts Specify quantity and the following information. Order related products separately.

MODEL	TURN SHAPE	CYLINDER HEIGHT*	FINISH
MS188	0	- 01	- 628
	0 Hourglass	1 31" to 35"	119 Black
	1 Teardrop	2 35-1/16" to 39"	121 Dark Bronze
		3 39-1/16" to 43"	682 Satin Chrome
		4 43-1/16" to 47"	
		5 47-1/16" to 51"	

* Distance from floor to cylinder centerline.

RELATED PRODUCTS When purchasing this product, please consider the following related products, available separately:

DEADLOCKS	ACCESSORIES
1850S-020, MS1850S, MS1850S-050, MS1950, MS1950-050 Series Deadlocks	TDK-1880 Tall Door Kit, 4005 Wood Strikes





Aluminium

Swinging
Door

MS2180

Auto-Release Two-Point Flushbolt

The MS2180 Auto-Release Two-Point Flushbolts work in conjunction with any MS® pivoting deadlock to provide maximum security for paired narrow stile aluminum doors.

Function

Used instead of flip-lever flushbolts in the inactive leaf of paired doors. One turn pins the inactive leaf in position. The pivoting MS® deadlock in the active leaf secures the entire opening. The action of securing the MS® deadlock trips an internal mechanism in the MS2180 so that when the MS® deadlock is retracted, the entire opening releases with only one operation. This auto-release two-point flushbolt must be installed with a pivoted bolt MS® deadlock. **Not to be used as a standalone locking mechanism.**

Operation

Turn knob or lever 120° counterclockwise to throw stainless steel bolts into header and threshold and clear strike opening so pivoted MS® bolt can enter from active door. Clockwise turn retracts vertical bolts and blocks entry of pivoted bolt. Operates in conjunction with any MS® pivoting deadlock.



Features

Header | Threshold Bolt

Hexagonal 3/8" [9.5 mm] flat to flat. Stainless steel. Guides furnished. Bolt throw is 23/32" [18.3 mm]. Strike required in metal headers and thresholds is 1/2" [12.7 mm] diameter hole. For wood installation, two 4005 Strikes are required, available separately.

Smart Lock

Mechanism includes device to prevent entry of pivoted bolt until vertical bolts are locked and conversely, to prevent unlocking of vertical bolts when pivoted bolt is locked.

Monitoring

Monitoring Kit available as add-on switch kit that signals when the top and bottom bolts are fully projected and the MS® deadlock is in the extended and locked position. More than an easily defeated door position switch, the MK-2180 Monitoring Kit

uses a form "C" switch to provide a tamper-proof indication of the door position and locked condition.

Turn Lever | Indicator

MS2180 has an hourglass-shaped turn for a firm finger grip. Red lettered indicator shows "LOCKED" when secure.

MS2181 has a teardrop-shaped turn with red letters on clear decal indicating unlock direction only.

MS2182 is a limited-access flush turn to comply with IBC requirements for "no doorknob" actuation. MS2182 is supplied with an activation tool. Red lettered indicator shows "LOCKED" when secure.

Turn Height

Matches cylinder height of MS® deadlock in active door, adjustable from 34" [863.6 mm] to 48" [1,219.2 mm].

Standard Package

Individually boxed with bolt guides and screws.

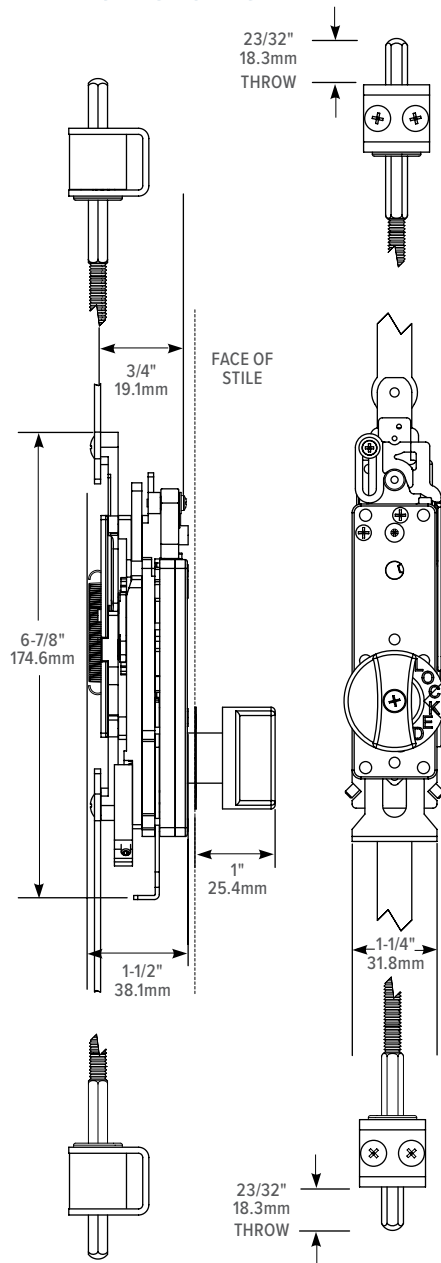
Shipping weight

2 lbs [.91 kg].

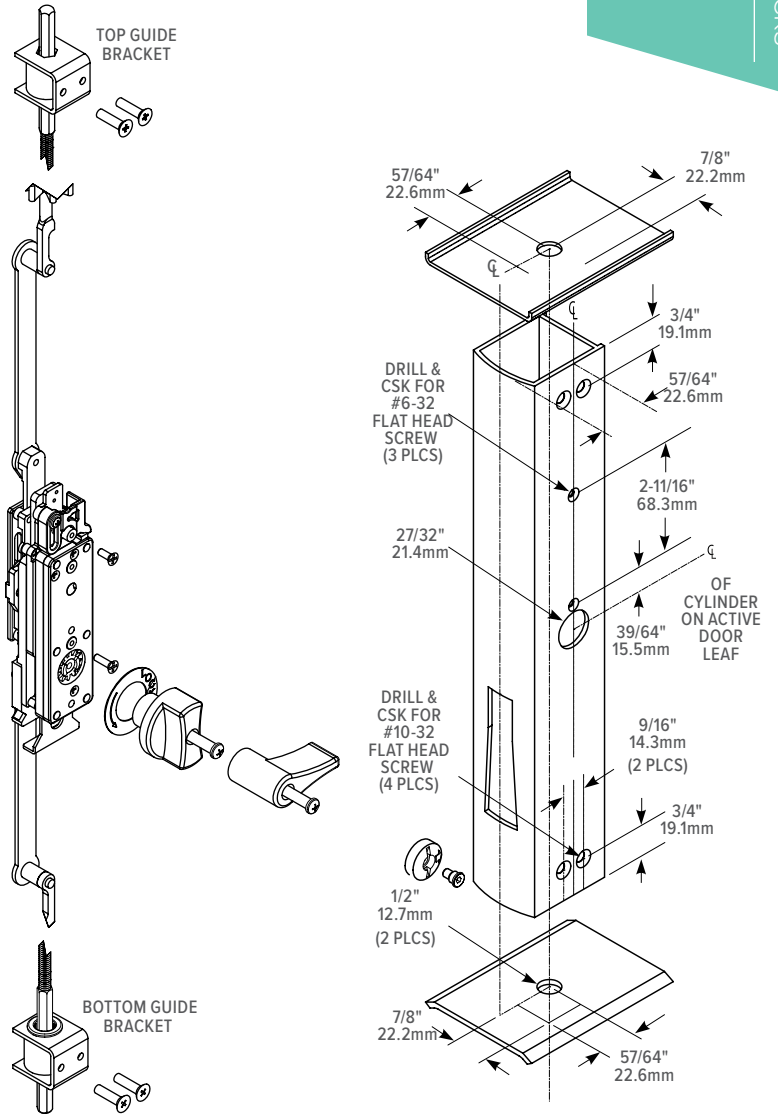
Options

- For wood header or threshold, 4005 Strike available separately.
- Available in choice of powder coat 119 Black to match 335 Black anodized, 121 Dark bronze to match 313 Dark bronze anodized, and 130 Clear to match 628 Clear anodized.

Dimensions



Stile Preparation



How to Order & Related Products

MS2180 Auto-Release Two-Point Flushbolt Specify quantity and the following information. Order related products separately.

MODEL	TURN SHAPE	DOOR HEIGHT (FROM FLOOR TO TOP OF DOOR)	FINISH TO MATCH
MS218	0	- 07	- 130
	0 Hourglass	07 Up to 7' Door	119 Black Anodized
	1 Teardrop	08 Up to 8' Door	121 Dark Bronze Anodized
	2 Flush Operator	09 Up to 9' Door	130 Clear Anodized
		10 Up to 10' Door	

RELATED PRODUCTS When purchasing this product, please consider the following related products, available separately:

DEADLOCKS
MS1850S, MS1950 Series Deadlocks



4189, 4190

Flush Locksets

(Including Deadlock)



Aluminium



Hollow
Metal



Sliding
Door

The 4189, 4190 Flush Locksets for sliding doors combine the time-tested and field-proven Adams Rite MS1847 Deadlock with a slide button.

Function

Projecting only 1/10" [2.5 mm] from the door stile on either side, the all-metal 4189, 4190 Flush Locksets allow doors to slide freely past other sliding units or stationary panels. There are no projecting handles to prevent doors from being stacked in a wall pocket. Not recommended for wood doors.

Operation

Locksets operated from inside by a simple up or down movement of a slide button, set flush in the deeply recessed finger pull. The lock mechanism (latching action unavailable) is the time-tested and field-proven Adams Rite MS1847 Deadlock and features the adjustable, self-protecting bolt.

- **4189** without cylinder
- **4190** has a flush mounted cylinder outside
- **4195** matching 'dummy set' is also available



Features

Backset

Variable, minimum 5/8" [15.9 mm], maximum 1-9/32" [32.5 mm] from face of lock to escutcheon and cylinder centerline.

Stile Depth

Minimum clear depth:
Backset plus 9/16" [14.3 mm].

Escutcheons

Zinc alloy, satin silver epoxy.

Anti Lift Lock Mechanism

Basic MS1848-09 (radius ends) or MS1848-10 (square ends) is supplied. Stainless steel bolt is self-protecting, adjustable for reach.

Operation

Inside: Vertical slide button projects or retracts deadlock bolt.

Outside: 4190 features a key in, five-pin cylinder with Schlage "C" keyway that projects or retracts bolt.

Standard Package

4190, with cylinder, and 4189, without cylinder, are each complete packages. Shipped individually boxed with mounting screws. 4190 includes two keys. Standard 4190 units are keyed different (KD). Contact factory for special keying.

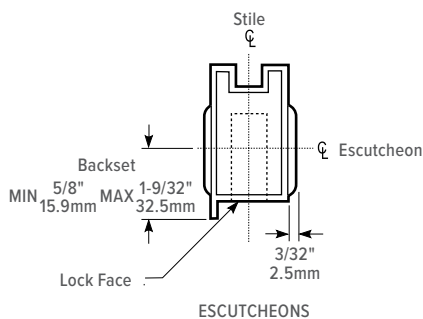
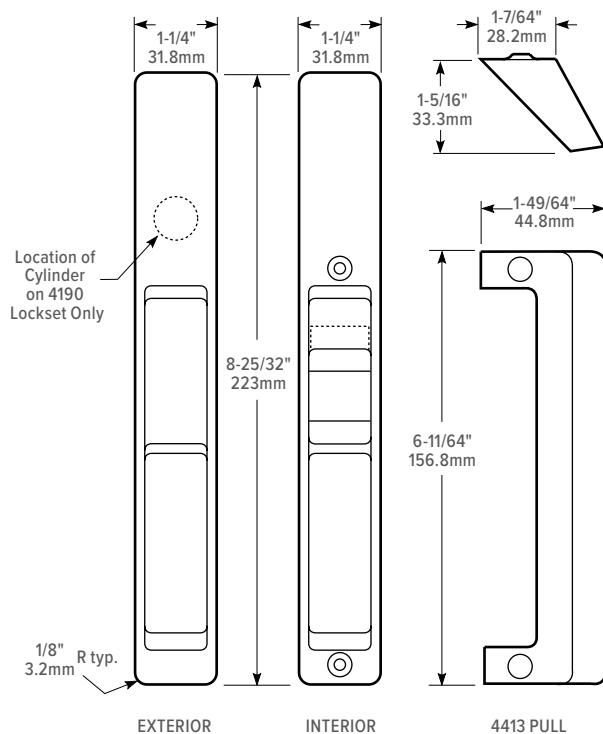
Shipping Weight

1-1/4 lbs [0.57 kg].

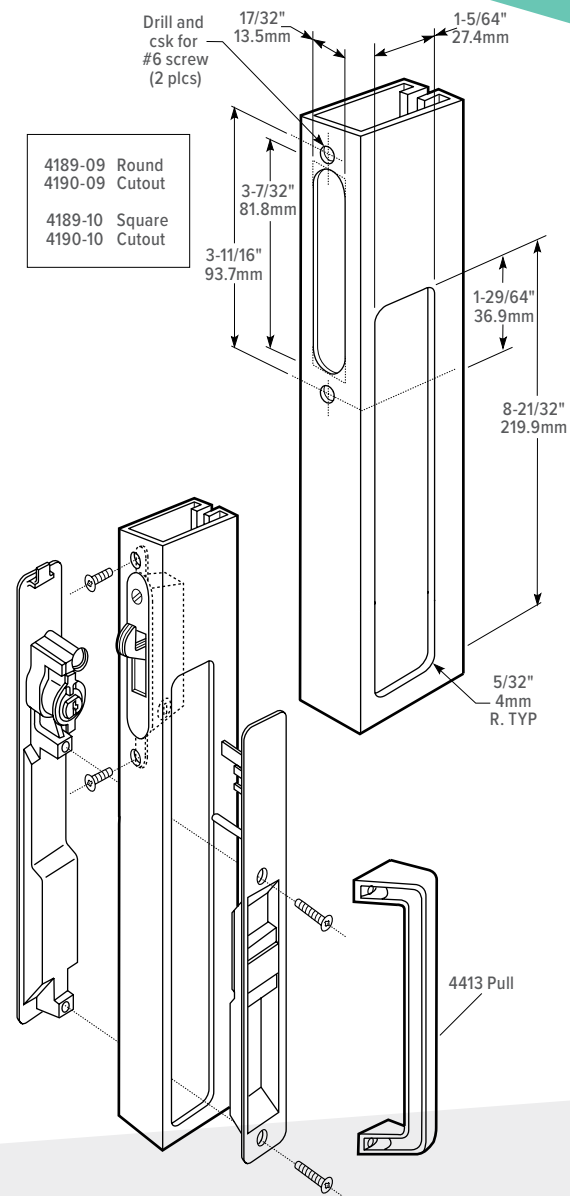
Options

- Specify 4190 if outside key-cylinder operation required; 4189 if not. Dummy set 4195 also available.
- Lock face is available as -09 for radius-ended lock face or -10 for square-ended lock face.
- 4413 Interior Pull available separately.

Dimensions



Stile Preparation



How to Order & Related Products

4189, 4190, 4195 Flush Locksets: Specify quantity and the following information. Order related products separately.

MODEL	LOCKSET EXTERIOR	LOCK FACE	STILE THICKNESS	FINISH	KEYING OPTIONS	PACKAGING
41	90	- 09	- 01	- 130	- 01	- IB
	89 Without Cylinder	00 Without Lock	01 1" to 1-3/8"	130 To match Clear Anodized 628	00 Without Cylinder	IB Individually Boxed
	90 With Cylinder	09 Radius	02 1-7/16" to 1-5/8"	121 To match Dark Bronze Anodized 313	01 Keyed Different	
	95 Dummy	09S Radius Stainless Steel	03 1-11/16" to 2"	119 To match Black Anodized 335	02 Keyed Alike in Pairs	
		10 Square				
		10S Square Stainless Steel				

RELATED PRODUCTS When purchasing this product, please consider the following related products, available separately:

ACCESSORIES	SPECIAL ORDER OPTIONS
4413 Interior Pull	Keyed alike 50 are available by special order in quantity of 50 locksets only. Please contact factory for ordering information.

4430, 4431

Flush Locksets (Including Deadlock)



Aluminium

Hollow
MetalSliding
Door

The 4430, 4431 Flush Locksets for sliding doors combine the time-tested and field-proven Adams Rite MS1847 Deadlock with a slide button.

Function

Similar in function and nearly identical in size to the all-metal 4189, 4190 Flush Locksets, these economical units feature escutcheons molded of sturdy ABS resin. The black satin finish of the 4430, 4431 Flush Locksets lends elegance to aluminum doors. Not recommended for wood doors.

Operation

Locksets operated from inside by a simple up or down movement of a slide button, set flush in the deeply recessed finger pull. The lock mechanism (latching action unavailable) is the time-tested and field-proven Adams Rite MS1847 Deadlock and features the adjustable, self-protecting bolt.

- **4430** without cylinder
- **4431** has a flush mounted cylinder outside
- **4432** matching 'dummy set' is also available.



Features

Backset

Variable, minimum 5/8" [15.9 mm], maximum 1-9/32" [32.5 mm] from face of lock to escutcheon and cylinder centerline.

Stile Depth

Minimum clear depth:
Backset plus 9/16" [14.3 mm].

Escutcheons

Molded ABS resin plastic. Black Satin finish. Deeply recessed finger pull on both sides. Fits same cutout as metal 4189, 4190 Flush Locksets.

Anti Lift Lock Mechanism

Basic MS1848-09 (radius ends) or MS1848-10 (square ends) is supplied. Stainless steel bolt is self-protecting, adjustable for reach.

Operation

Inside: Vertical slide button projects or retracts deadlock bolt.

Outside: 4431 features a key in, five-pin cylinder with Schlage "C" keyway, projects or retracts bolt. Other cylinder makes not available.

Standard Package

4431, with cylinder, and 4430, without cylinder, are each complete packages. Shipped individually boxed with mounting screws. 4431 includes two keys. Standard 4431 units are keyed different (KD). Contact factory for special keying.

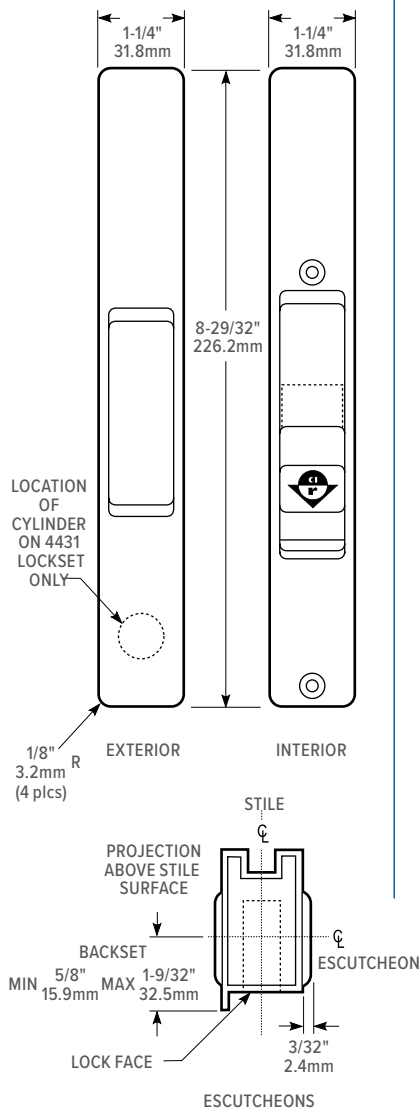
Shipping Weight

1-1/4 lbs [.57 kg].

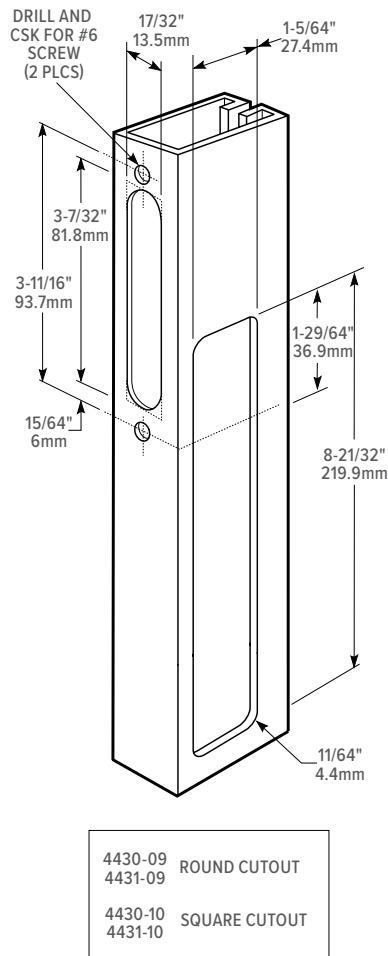
Options

- Specify 4431 if outside key-cylinder operation required; 4430 if not. Dummy set 4432 also available.
- Lock face is available as -09 for radius-ended lock face or -10 for square-ended lock face.
- 4413 Interior Pull available separately.

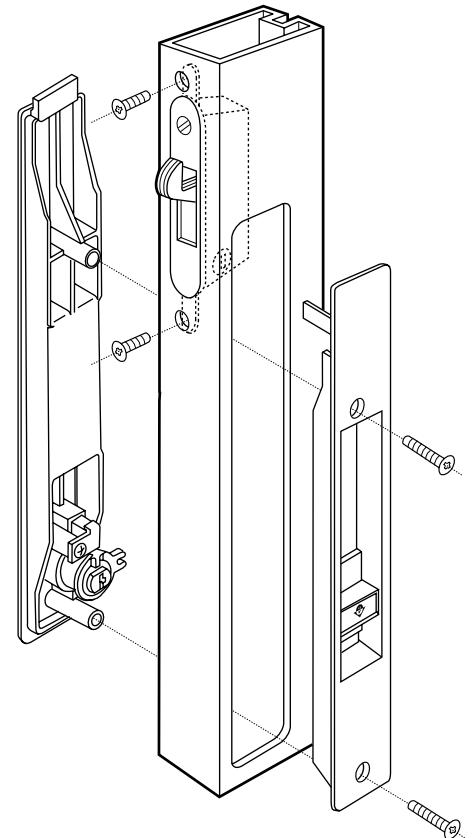
Dimensions



Stile Preparation



Installation



How to Order & Related Products

4430, 4431 Flush Locksets: Specify quantity and the following information. Order related products separately.

MODEL	LOCKSET EXTERIOR	LOCK FACE	STILE THICKNESS	KEYING OPTIONS	PACKAGING
44	31	-09	-05	-01	-IB
	30 Without Cylinder	00 Without Lock	00 1" to 1-5/16"	00 Without Cylinder	IB Individually Boxed
	31 With Cylinder	09 Radius 09S Radius Stainless Steel	05 1-3/8" to 1-5/8"	01 Keyed Different	10PK 10 Pack
	32 Dummy	10 Square 10S Square Stainless Steel	08 1-3/4" to 2"		

RELATED PRODUCTS When purchasing this product, please consider the following related products, available separately:

ACCESSORIES
4453 Interior Pull
4453-02-335

Options & Accessories

Adams Rite Flushlocks can be ordered with a variety of related products including strike plates, trim and cylinder accessories and compatible products such as Adams Rite deadlocks. Please see product pages for more information on all available flushlock types, functions, installation requirements and complete How-to-Order guides. For more detailed information on any of the products listed below please refer to the corresponding section of this catalog.

Accessories

4000 Series

MS Deadlock Strikes

4000 surface mounted strike plate, 4001 strike plate with dust box, 4005 threshold strike, 4006 floor strike, or 4505 armored strike add aesthetics and finish to strike cutouts in jams.

Deadlocks

MS1880, MS1881 Two-Point Flushbolts and MS2180 Auto-Release Two-Point Flushbolt **MUST** be installed in conjunction with a pivoted bolt MS deadlock. See DEADLOCKS section of this catalog for information on all available types and functions including complete How-to-Order guides for Adams Rite Deadlocks including the MS® Maximum Security Deadlocks.

Cylinders

4036 Mortise Cylinder

The 4036 Mortise Cylinder is a standard 1" long, 1-5/32" diameter cylinder that provides five-pin security with most Adams Rite locks or latches.

4066 Thumbturn

The 4066 Thumbturn interchanges with standard 1-5/32" diameter mortise cylinder and operates locks or latches without a key.

MS 4043 Cylinder Guard

The MS4043 Cylinder Guard is a hardened-steel, free-swiveling ring to protect cylinder from vandalism such as prying or twisting.

| Exit Devices





LISTED



Grade 1

Hollow
Metal

Wood



Fire Rated

3100 Only

Electrified
Option

3100 Series Fire-Rated Surface Vertical Rod Exit Device

8100 Series Life-Safety Surface Vertical Rod Exit Device

The **3100 Series Fire-Rated Surface Vertical Rod Exit Device** is designed for hollow metal and wood applications that require a fire-rated exit device with surface vertical rods for two-point locking. The **8100 Series Surface Vertical Rod Exit Device** is designed for hollow metal and wood applications that require a life-safety exit device with surface vertical rods for two-point locking.

Designed for use in applications with single doors or pairs of doors.



MODEL	TYPE	RATING	DOOR CONSTRUCTION	MAX SIZE SINGLE DOORS	MAX SIZE PAIR & DOUBLE EGRESS
3100	SVR	3 hr	Hollow Metal Door	4'-0" x 10'-0"	8'-0" x 10'-0"
3100	SVR	90 min	Wood Door	4'-0" x 10'-0"	8'-0" x 9'-0"
3100T	SVR-TRO	3 hr	Hollow Metal Door	4'-0" x 8'-0"	8'-0" x 10'-0"
3100W	SVR-TRO	1-1/2 hr	Wood Door	4'-0" x 8'-0"	8'-0" x 8'-0"
3100W	SVR-TRO	20 min	Wood Door	4'-0" x 9'-0"	8'-0" x 9'-0" (std. pairs)

Certifications

UL 305 Panic Hardware

UL10C fire rated, up to 3 hours for non-wood door applications

CAN/ULC S104 fire door conformant

NFPA 252 fire door conformant

ANSI/BHMA A156.3, Grade 1

Features

Materials

Push bar made of extruded aluminum, available in a variety of finishes.

Handing

Device is non-handed.

Push bar Length

Standard sizes: dimensioned for 30" [762 mm], 36" [914.4 mm], 42" [1066.8 mm], and 48" [1219.2 mm] openings. Standard width bars can be field cut to the next smallest opening width.

Bar Height

Standard model adjusts from 30" [762 mm] to 44" [1117.6 mm].

Door Height

Standard configuration suitable for doors up to 8' [2.44 m] door, with bar height at 40" [1016 mm] – 44" [1117.6 mm]. For doors up to 10' [3.05 m] use 3055 Tall Door Kit available separately.

Door Thickness

Suits 1-3/4" [44.5 mm] standard, up to 2-1/4" [57.2 mm].

Stile Width

Minimum 3-3/4". Door construction may require additional stile width to meet fire ratings and provide adequate strength.

Projection

2-15/16" [74.6 mm] when fully projected, 1-15/16" [49.2 mm] when dogged.

Dogging

Standard dogging with hex key or with cylinder not available on fire-rated exit devices. Electric Dogging option has been discontinued. Motorized and Electric Latch Retraction options can replace Electric Dogging requirement, see Options & Accessories.

Fasteners

Standard self-tapping screws and machine screws. Optional Sex Bolt Kits 26-0584 (two required per device). Specify finish.

Cylinders

Select any standard 1-5/32" [29.4 mm] diameter rim cylinder such as the 8736 Rim Cylinder. Available separately.

Cylinder x Fixed Pull Functions

For entry trim function 03 (Night latch - key releases latch) select any standard 1-5/32" [29.4 mm] diameter rim cylinder such as the 8736 Rim Cylinder. Available separately.

Entry Trim Functions

For entry trim function 08 (key locks/unlocks lever) or function 09 (key releases lever) select any standard 1" [25.4 mm] length, 1-5/32" [29.4 mm] diameter mortise cylinder with MS® cam such as the 4036 Mortise Cylinder. Accommodates cylinder lengths from 1" [25.4 mm] to 1-1/4" [31.8 mm]. Available separately.

Bolts and Strikes

The patented top latching mechanism utilizes a rotating top bolt which latches around the header strike, interlocking the door to the frame. Adjustable steel rods protected in contoured covers. The hexagonal, hardened steel bottom bolt is shielded in a cast housing for strength and stability. For wood frames, an additional plate is supplied for securing the header strike.

Standard Package

Individually boxed.

Shipping Weight

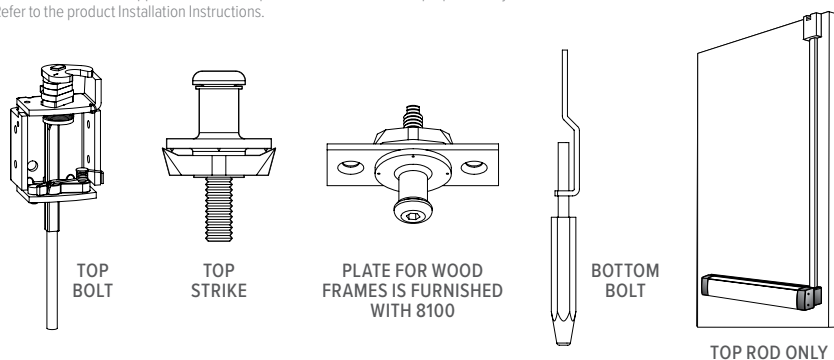
12 lbs [5.44 kg]

Options

- Available in top rod only version, less bottom rod. Specify by adding "T" after exit device model number.
- Electrification Options**
Motorized Latch Retraction, Electric Latch Retraction (LR), Alarm, Monitoring, Cylinder Dogging, Matching End Caps

For more detailed information on any of the options listed above please see the Exit Devices Options on page 97 of this catalog.

All measurements are approximate and are provided for informational purposes only. Refer to the product Installation Instructions.



How to Order & Related Products

8100, 3100 Surface Vertical Rod Exit Device: Specify quantity and the following information. Order related products separately.

MODEL	PUSH BAR FINISH	ROD TYPE	DEVICE OPTIONS	MONITORING OPTION	DOOR OPENING WIDTH On pair of doors, specify HALF of the total exit opening		US FINISH	END CAPS OPTION FOR US FINISH
81	00	—	MLR	M2	-30			
31 Fire Rated	00 US Finish	T Top Rod only	LR Electric Latch Retraction (solenoid)	M Single Switch	30 30 inches*	42 42 inches	US3 Bright Brass	MEC Matching End Caps
81 Life-Safety	11 Clear Anodized 628	W Top Rod only – Wood doors	MLR Motorized Latch Retraction	M2 Dual Switch	36 36 inches	48 48 inches	US4 Satin Brass	
	22 Dark Bronze Anodized 313	– Standard rods	C Cylinder Dogging (non-fire rated devices ONLY)	(Blank) No Monitor	AXXB Alarmed Exit Device where XX is door opening width		US32 Bright Stainless	
	33 Black Anodized 335		A Alarm				US32D Satin Stainless	
			(Blank) No Option					

* Please note that 30" exit devices cannot accommodate monitoring options, except when ordered in conjunction with the MLR option.

RELATED PRODUCTS When purchasing this product, please consider the following related products, available separately:

TRIM	CYLINDER	ACCESSORIES	POWER
3080, 3080E Series Entry Trim, 3090-150, 3001 Fixed Pull (for hollow metal or wood)	Operable by either 4036 Mortise Cylinder or 8736 Rim Cylinder depending upon the ANSI/BHMA functions of the exit device	26-0584 Sex Bolt Kit (two required per device) Tall Door Kit available separately: 8055 for 8100 or 3055 for 3100 REX-Monitor/Signal Kits	PS-EXIT Power Supply (replaces PS-SE and PS-LR models), 4612 Power Transfer Device, 4605 Transformer, 4603 Rectifier

8200 Series

Narrow Stile Surface Vertical Rod Exit Device

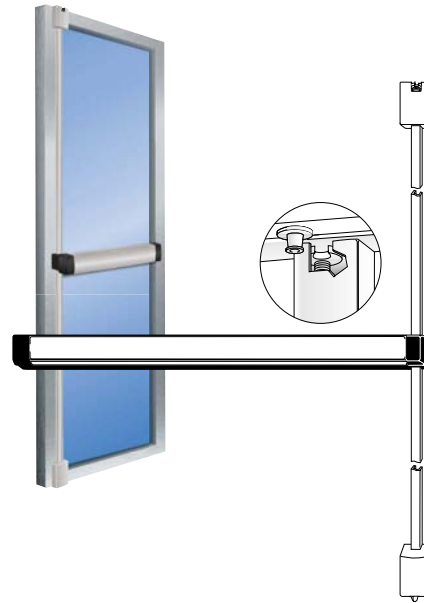


The 8200 Series Narrow Stile Surface Vertical Rod Exit Device is designed for narrow stile aluminum applications that require a life-safety exit device with surface vertical rods for two-point locking. Designed for use in applications with single doors or pairs of doors

Certifications

UL 305 Panic hardware

ANSI/BHMA A156.3, Grade 1



Features

Materials

Push bar made of extruded aluminum, available in a variety of finishes.

Handing

Device is non-handed.

Push bar Length

Standard sizes: dimensioned for 30" [762 mm], 36" [914.4 mm], 42" [1066.8 mm], and 48" [1219.2 mm] openings. Standard width bars can be field cut to the next smallest opening width.

Bar Height

Standard model adjusts from 30" [762 mm] to 44" [1117.6 mm].

Fasteners

Standard machine screws.

Projection

2-15/16" [74.6 mm] when fully projected, 1-15/16" [49.2 mm] when dogged.

Door Height

Standard configuration suitable for doors up to 8' [2.44 m] door, with bar height at 40" [1016 mm] – 44" [1117.6 mm]. For doors up to 10' [3.05 m] use 8055 Tall Door Kit available separately.

Door Thickness

Suits 1-3/4" [44.5 mm] standard, up to 2-1/4" [57.2 mm].

Stile Width

Minimum 2" stile. Fits narrow, medium, and wide stile aluminum doors.

Dogging

Standard dogging with hex key or optional cylinder dogging. Electric Dogging option has been discontinued. Motorized and Electric Latch Retraction options can replace Electric Dogging requirement, see Options & Accessories.

Cylinders

Select any standard 1-5/32" [29.4 mm] diameter rim cylinder such as the 8736 Rim Cylinder. Available separately.

Cylinder x Fixed Pull Functions

For entry trim function 03 (Night latch - key releases latch) select any standard 1-5/32" [29.4 mm] diameter rim cylinder such as the 8736 Rim Cylinder. Available separately.

Entry Trim Functions

For entry trim function 08 (key locks/unlocks lever) or function 09 (key releases lever) select any standard 1" [25.4 mm] length, 1-5/32" [29.4 mm] diameter mortise cylinder with MS® cam such as the 4036 Mortise Cylinder. Accommodates cylinder lengths from 1" [25.4 mm] to 1-1/4" [31.8 mm]. Available separately.

Bolts and Strikes

The patented top latching mechanism utilizes a rotating top bolt which latches around the header strike, interlocking the door to the frame. Adjustable steel rods protected in contoured covers. The hexagonal, hardened steel bottom bolt is shielded in a cast housing for strength and stability. Supplied with standard header strike.

Standard Package

Individually boxed.

Shipping Weight

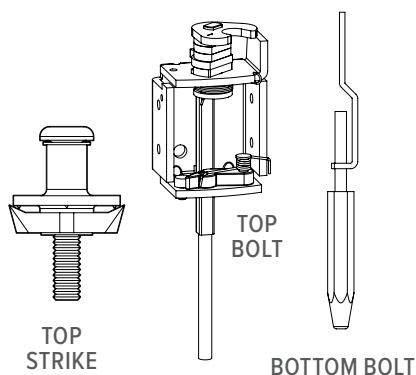
12 lbs [5.44 kg]

Options

- Available in top rod only version, less bottom rod. Specify by adding "T" after exit device model number.
- **Electrification Options**
Motorized Latch Retraction, Electric Latch Retraction (LR), Alarm, Monitoring, Cylinder Dogging, Matching End Caps

For more detailed information on any of the options listed above please see the Exit Devices Options on page 97 of this catalog.

All measurements are approximate and are provided for informational purposes only. Refer to the product Installation Instructions.



How to Order & Related Products

8200 Narrow Stile Surface Vertical Rod Exit Device: Specify quantity and the following information. Order related products separately.

MODEL	PUSH BAR FINISH	ROD TYPE	DEVICE OPTIONS	MONITORING OPTION	DOOR OPENING WIDTH On pair of doors, specify HALF of the total exit opening		US FINISH	END CAPS OPTION FOR US FINISH
82	00	—	MLR	M2	-36			
82 Life-Safety	00 US Finish	T Top Rod only	LR Electric Latch Retraction (solenoid)	M Single Switch	30 30 inches*	42 42 inches	US3 Bright Brass	MEC Matching End Caps
	11 Clear Anodized 628	— Standard rod	MLR Motorized Latch Retraction	M2 Dual Switch	36 36 inches	48 48 inches	US4 Satin Brass	
	22 Dark Bronze Anodized 313		C Cylinder Dogging (non-fire rated devices ONLY)	(Blank) No Monitor	AXXB Alarmed Exit Device where XX is door opening width	US32 Bright Stainless		
	33 Black Anodized 335		A Alarm			US32D Satin Stainless		
			(Blank) No Option					

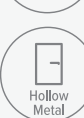
* Please note that 30" exit devices cannot accommodate monitoring options, except when ordered in conjunction with the MLR option.

RELATED PRODUCTS When purchasing this product, please consider the following related products, available separately:

TRIM	CYLINDER	ACCESSORIES	POWER
3080, 3080E Series Entry Trim, 3090-150	Operable by either 4036 Mortise Cylinder or 8736 Rim Cylinder depending upon the ANSI/BHMA functions of the exit device	8055 Tall Door Kit REX-Monitor/Signal Kits	PS-EXIT Power Supply (replaces PS-SE and PS-LR models), 4612 Power Transfer Device, 4605 Transformer, 4603 Rectifier



LISTED



3300 Only

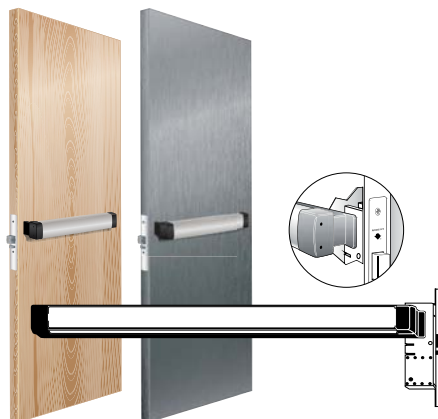


3300 Series Fire-Rated Mortise Exit Device

8300 Series Life-Safety Mortise Exit Device

The 3300 Series Fire-Rated Mortise Exit Device is designed for hollow metal and wood applications that require a fire-rated exit device with mortise locking solution. **The 8300 Series Mortise Exit Device** is designed for hollow metal and wood applications that require a life-safety exit device with mortise locking solution.

Designed for use in applications with single doors or pairs of doors.



MODEL	TYPE	RATING	DOOR CONSTRUCTION	MAX SIZE SINGLE DOORS	MAX SIZE PAIR & DOUBLE EGRESS
3300	(SPM) Single Point Mortise	3 hr	Hollow Metal Door	4'-0" x 10'-0"	8'-0" x 10'-0" *(active leaf)

*May be used with 3100 or 3600 Series with an open back strike.

Certifications

UL 305 Panic Hardware

3300 Only: UL10C fire-rated, up to 3 hours

CAN/ULC S104 fire door conformant

NFPA 252 fire door conformant

ANSI/BHMA A156.3, Grade 1

Features

Materials

Push bar made of extruded aluminum, clad or anodized in a variety of finishes.

Handing

Specify handing and bevel if applicable.

Push bar Length

Standard sizes: dimensioned for 30" [762.0 mm], 36" [914.4 mm], 42" [1,066.8 mm], and 48" [1,219.2 mm] openings. Standard width bars can be field cut to the next smallest opening width.

Backset

2-3/4" [69.9 mm] only

Door Thickness

Suits 1-3/4" [44.5 mm] standard. Can be modified for thicker doors.

Stile Width

Minimum 5" [127.0 mm]. Door construction may require additional stile width to meet fire ratings and provide adequate strength.

Projection

2-5/8" [66.7 mm] when fully projected, 1-5/8" [41.3 mm] when dogged.

Dogging

Standard dogging with hex key or with cylinder not available on fire-rated exit devices. Electric Dogging option has been discontinued. Motorized and Electric Latch Retraction options can replace Electric Dogging requirement, see Options & Accessories.

Fasteners

Standard self-tapping screws and machine screws. Optional Sex Bolt Kits 26-0584 (two required per device) available separately.

Cylinders

Accepts any standard 1" [25.4 mm] length, 1-5/32" [29.4 mm] diameter mortise cylinder with MS® cam such as the 4036 Mortise Cylinder. Accommodates cylinder lengths from 1" [25.4 mm] to 1-1/4" [31.8 mm]. Available separately.

Cylinder x Fixed Pull Functions

For function 03 (Night latch – key releases latch) select any standard 1" [25.4 mm] length, 1-5/32" [29.4 mm] diameter mortise cylinder with MS® cam such as the 4036 Mortise Cylinder.

Entry Trim Functions

For entry trim function 08 (key locks/unlocks lever) or function 09 (key releases lever) select any standard 1" [25.4 mm] length, 1-5/32" [29.4 mm] diameter mortise cylinder with MS® cam such as the 4036 Mortise Cylinder. Accommodates cylinder lengths from 1" [25.4 mm] to 1-1/4" [31.8 mm]. Available separately.

Bolts and Strikes

Mortise deadlatch with bolt measuring 5/8" x 1" x 5/8" [15.9 mm x 25.4 mm x 15.9 mm] throw. Solid brass bolt.

A variety of strikes are available for different applications:

- Standard strike of stainless steel included, Open Back Strike 4009-01 available separately.

Standard Package

Individually boxed.

Shipping Weight

11 lbs [4.99 kg]

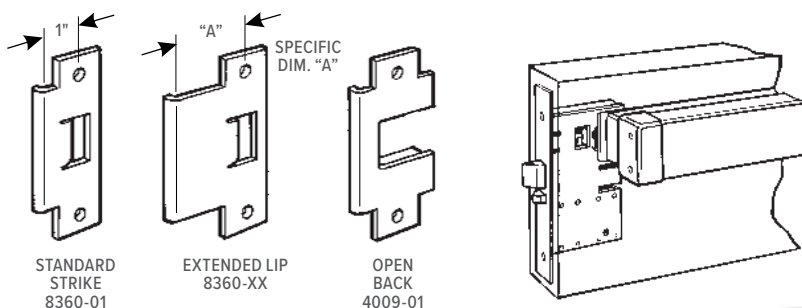
Options

• Electrification Options

Motorized Latch Retraction, Electric Latch Retraction (LR), Alarm, Monitoring, Cylinder Dogging, Matching End Caps

For more detailed information on any of the options listed above please see the Exit Devices Options on page 97 of this catalog.

All measurements are approximate and are provided for informational purposes only. Refer to the product Installation Instructions.



How to Order & Related Products

8300, 3300 Surface Vertical Rod Exit Device Specify quantity and the following information. Order related products separately.

MODEL	FACEPLATE FINISH	FACE SHAPE	DEVICE OPTIONS	MONITORING OPTION	DOOR HANDING	PUSH BAR FINISH	DOOR OPENING WIDTH On pair of doors, specify HALF of the total exit opening		US FINISH	END CAPS OPTION FOR US FINISH			
83	3	0	MLR	M	-7	3	A36B						
33 Fire Rated	0 US Finish	0 Flat	LR Electric Latch Retraction (solenoid)	M Single Switch	7 RHR	0 US Finish	30 30 inches*	42 42 inches	US3 Bright Brass	MEC Matching End Caps			
83 Life-Safety	1 Clear Anodized 628		MLR Motorized Latch Retraction	M2 Dual Switch	8 LHR	1 Clear Anodized 628	36 36 inches	48 48 inches	US4 Satin Brass				
	2 Dark Bronze Anodized 313		C Cylinder Dogging (non-fire rated devices ONLY)								(Blank) No Monitor	2 Dark Bronze Anodized 313	US32 Bright Stainless
	3 Black Anodized 335		A Alarm										
		- No Option											

* Please note that 30" exit devices cannot accommodate monitoring options, except when ordered in conjunction with the MLR option.

RELATED PRODUCTS When purchasing this product, please consider the following related products, available separately:

ELECTRIC STRIKE	TRIM	CYLINDER	ACCESSORIES	POWER
7100/7101, 7110/7111, 7130/7131, 7140 Electric Strikes, 7400/7401, 7410/7411, 7430/7431, 7440 Electric Strikes	3080, 3080E Series Entry Trim, 3090-150, 3001 Fixed Pull (for hollow metal or wood)	Operable by 4036 Mortise Cylinder depending upon the ANSI/BHMA functions of the exit device	26-0584 Sex Bolt Kit (two required per device) Thick Door Kits, 8360-XX Extended Lip Strike, 4009-01 Open Back Strike, 4506-02 Deadlatch Strike REX-Monitor/Signal Kits	PS-EXIT Power Supply (replaces PS-SE and PS-LR models), 4612 Power Transfer Device, 4605 Transformer, 4603 Rectifier

8400 Series

Life-Safety Narrow Stile Mortise Exit Device



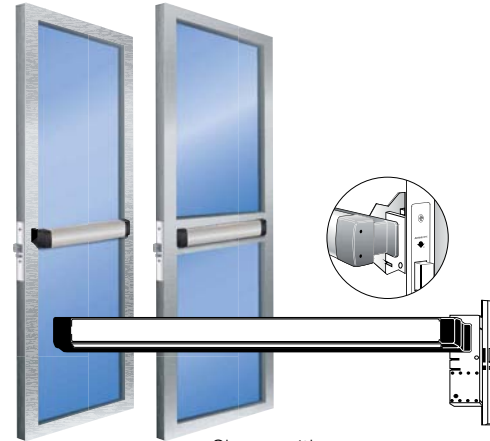
The 8400 Series Narrow Stile Mortise Exit Device is designed for narrow stile aluminum applications that require a life-safety exit device with mortise locking solution.

Designed for use in single door applications.

Certifications

UL 305 Panic Hardware

ANSI/BHMA A156.3, Grade 1



Shown with
8475 mid-panel

Features

Materials

Push bar made of extruded aluminum, clad or anodized in a variety of finishes.

Handing

Specify handing and bevel if applicable.

Push bar Length

Standard sizes dimensioned for 30" [762.0 mm], 36" [914.4 mm], 42" [1,066.8 mm], and 48" [1,219.2 mm] openings. Standard width bars can be field cut to the next smallest opening width.

Backset

31/32" [24.6 mm], 1-1/8" [28.6 mm], or 1-1/2" [38.1 mm]. Fits standard cutout used for the Adams Rite 4900 Heavy Duty Deadlatch on narrow stile aluminum doors.

Door Thickness

Suits 1-3/4" [44.5 mm] standard. Device can be modified for thicker doors using Thick Door Kit available separately, or for thermal doors using Thermal Door Kit available separately.

Stile Width

Minimum 2" [50.8 mm] stile. Fits narrow, medium, and wide stile aluminum doors.

Projection

2-5/8" [66.7 mm] when fully projected, 1-5/8" [41.3 mm] when dogged.

Dogging

Standard dogging with hex key or optional cylinder dogging. Electric Dogging option has been discontinued. Motorized and Electric Latch Retraction options can replace Electric Dogging requirement, see Options & Accessories.

Fasteners

Standard machine screws.

Cylinders

Accepts any standard 1" [25.4 mm] length, 1-5/32" [29.4 mm] diameter mortise cylinder with MS® cam such as the 4036 Mortise Cylinder. Accommodates cylinder lengths from 1" [25.4 mm] to 1-1/4" [31.8 mm]. Available separately.

Cylinder x Fixed Pull Functions

For function 03 (Night latch - key releases latch) select any standard 1" [25.4 mm] length, 1-5/32" [29.4 mm] diameter mortise cylinder with MS® cam such as the 4036 Mortise Cylinder. Function 03 is not applicable to 8475 Mortise Mid-Panel Exit Device.

Entry Trim Functions

For entry trim function 08 (key locks/unlocks lever) or function 09 (key releases lever) select any standard 1" [25.4 mm] length, 1-5/32" [29.4 mm] diameter mortise cylinder with MS® cam such as the 4036 Mortise Cylinder. Accommodates cylinder lengths from 1" [25.4 mm] to 1-1/4" [31.8 mm]. Available separately.

Bolts and Strikes

Mortise deadlatch with bolt measuring 5/8" x 1" x 5/8" [15.9 mm x 25.4 mm x 15.9 mm] throw. Solid brass bolt.

A variety of strikes are available for different applications:

- Standard strike of stainless steel included, Extended Lip Strike 8460 available separately, Long Face Strike 8455-01 available separately.

Shipping Weight

11 lbs [4.99 kg]

Options

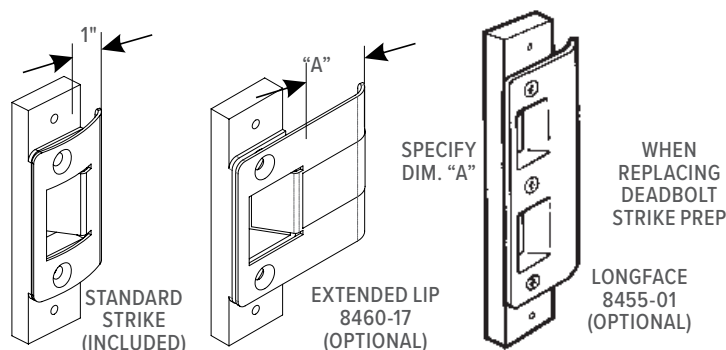
- **Electrification Options**
- Motorized Latch Retraction, Electric Latch Retraction (LR), Alarm, Monitoring, Cylinder Dogging, Matching End Caps

For more detailed information on any of the options listed above please see the Exit Devices Options on page 97 of this catalog.

Standard Package

Individually boxed.

All measurements are approximate and are provided for informational purposes only. Refer to the product Installation Instructions.

**How to Order & Related Products**

8400 Narrow Stile Mortise Exit Device Specify quantity and the following information. Order related products separately.

MODEL	FACEPLATE FINISH	FACE SHAPE	DEVICE OPTIONS	MONITORING OPTION	BACKSET	DOOR HANDING	PUSH BAR FINISH	DOOR OPENING WIDTH On pair of doors, specify HALF of the total exit opening	US FINISH	END CAPS OPTION FOR US FINISH
84	1	4	MLR	M2	-4	7	1	42		
84 Life-Safety	0 US Finish	0 Flat, bevel, radius	LR Electric Latch Retraction (solenoid)	M Single Switch	2 31/32"	7 RHR	0 US Finish	30 30 inches	42 42 inches	MEC Matching End Caps
	1 Clear Anodized 628	4 Radius w/ Weatherstrip*	MLR Motorized Latch Retraction	M2 Dual Switch	3 1-1/8"	8 LHR	1 Clear Anodized 628	36 36 inches	48 48 inches	
	2 Dark Bronze Anodized 313		C Cylinder Dogging (non-fire rated devices ONLY)	(Blank) No Monitor	4 1-1/2"		2 Dark Bronze Anodized 313	AXXB Alarmed Exit Device where XX is door opening width	US32 Bright Stainless	
	3 Black Anodized 335		A Alarm				3 Black Anodized 335		US32D Satin Stainless	
			- Without Options							

* Radius with weatherstrip faceplate is not available in US finishes.

RELATED PRODUCTS When purchasing this product, please consider the following related products, available separately:

ELECTRIC STRIKE	TRIM	CYLINDER	ACCESSORIES	POWER
7100/7101, 7110/7111, 7130/7131, 7140 Electric Strikes, 7400/7401, 7410/7411, 7430/7431, 7440 Electric Strikes	3080, 3080E Series Entry Trim, 3090-150	Operable by either 4036 Mortise Cylinder depending upon the ANSI/BHMA functions of the exit device	Thick or Cladded Door Kits, 8360-17 Extended Lip Strike, 8455-01 Longface, 8460-XX Long Lip Strike, 4901, 4902 Deadlatch Strike REX-Monitor/Signal Kits	PS-EXIT Power Supply (replaces PS-SE and PS-LR models), 4612 Power Transfer Device, 4605 Transformer, 4603 Rectifier

3600 Series Fire-Rated Concealed Vertical Rod Exit Device

8500 Series Life-Safety Concealed Vertical Rod Exit Device



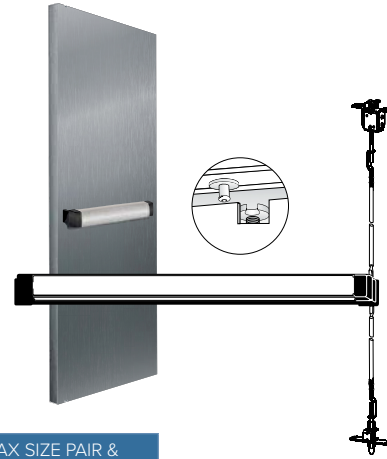
3600 Only



The **3600 Series Fire-Rated Concealed Vertical Rod Exit Device** is designed for hollow metal applications that require a fire-rated exit device with concealed vertical rods for two-point locking.

The **8500 Series Concealed Vertical Rod Exit Device** is designed for hollow metal applications that require a life-safety exit device with concealed vertical rods for two-point locking.

Designed for use in applications with single doors or pairs of doors.



MODEL	TYPE	RATING	DOOR CONSTRUCTION	MAX SIZE SINGLE DOORS	MAX SIZE PAIR & DOUBLE EGRESS
3600	CVR	3 hr	Hollow Metal Door	N/A	8'-0" x 10'-0"
3600T	CVR-TRO	3 hr	Hollow Metal Door	N/A	8'-0" x 10'-0" (std. pairs)
3600T	CVR-TRO	3 hr	Hollow Metal Door	N/A	8'-0" x 8'-0" (double egress)
3600T	CVR-TRO	1-1/2 hr	Hollow Metal Door	N/A	8'-0" x 10'-0" (double egress)

Certifications

UL 305 Panic Hardware

3600 only: UL10C fire-rated, up to 3 hours

CAN/ULC S104 fire door conformant

NFPA 252 fire door conformant

ANSI/BHMA A156.3, Grade 1

Features

Materials

Push bar made of extruded aluminum, clad or anodized in a variety of finishes.

Push bar Length

Standard sizes: dimensioned for 30" [762.0 mm], 36" [914.4 mm], 42" [1,066.8 mm], and 48" [1,219.2 mm] openings. Standard width bars can be field cut to the next smallest opening width.

Bar Height

Standard model adjusts from 30" [762 mm] to 44" [1117.6 mm].

Handing

Device is non-handed.

Door Thickness

Suits 1-3/4" [44.5 mm] standard, up to 2-1/4" [57.2 mm].

Door Height

Standard configuration suitable for doors up to 66" [1,676.4 mm] above the selected bar height. For doors over 66" [1,676.4 mm] above bar height, up to 10' [3.05 m] use 3655 Tall Door Kit available separately.

Stile Width

Minimum 3-1/2" [88.9 mm]. Door construction may require additional stile width to meet fire ratings and provide adequate strength.

Stile Wall

Doors with stile walls other than 1/8" [3.2 mm] require modification.

Projection

2-5/8" [66.7 mm] when fully projected, 1-5/8" [41.3 mm] when dogged.

Dogging

Standard dogging with hex key or with cylinder not available on fire-rated exit devices. Electric Dogging option has been discontinued. Motorized and Electric Latch Retraction options can replace Electric Dogging requirement, see Options & Accessories.

Fasteners

Standard self-tapping screws and machine screws. Optional Sex Bolt Kits 26-0584 (two required per device) available separately.

Cylinders

Accepts any standard 1" [25.4 mm] length, 1-5/32" [29.4 mm] diameter mortise cylinder with MS® cam such as the 4036 Mortise Cylinder. Accommodates cylinder lengths from 1" [25.4 mm] to 1-1/4" [31.8 mm]. Available separately.

Cylinder x Fixed Pull Functions

For entry trim function 03 (Night latch - key releases latch) select any standard 1" [25.4 mm] length, 1-5/32" [29.4 mm] diameter mortise cylinder with MS® cam such as the 4036 Mortise Cylinder.

If key entry operation is required, any standard mortise cylinder with MS® cam can be installed through an 8650 Cylinder Escutcheon. 8650 Cylinder Escutcheon Kit available separately.

Entry Trim Functions

For entry trim function 08 (key locks/unlocks lever) or function 09 (key releases lever) select any standard 1" [25.4 mm] length, 1-5/32" [29.4 mm] diameter mortise cylinder with MS® cam such as the 4036 Mortise Cylinder. Accommodates cylinder lengths from 1" [25.4 mm] to 1-1/4" [31.8 mm]. Available separately.

Bolts and Strikes

The patented top latching mechanism utilizes a rotating top bolt which deadlatches around the header strike, interlocking the door to the frame. Supplied with standard header strike. Adjustable protected steel rods. The hexagonal, hardened steel bottom bolt is shielded in a cast housing for strength and stability.

Standard Package

Individually boxed.

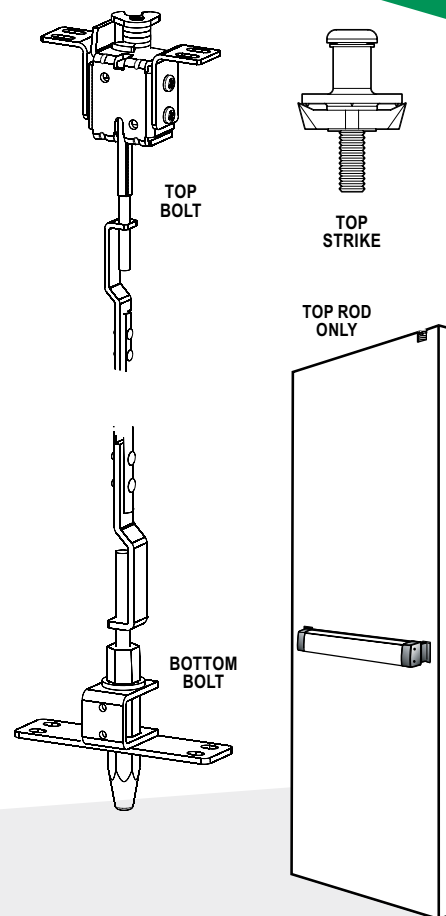
Shipping Weight

12 lbs [5.44 kg]

Options

- Available in top rod only version, less bottom rod. Specify by adding "T" after exit device model number.
- **Electrification Options**
- Motorized Latch Retraction, Electric Latch Retraction (LR), Alarm, Monitoring, Cylinder Dogging, Matching End Caps

For more detailed information on any of the options listed above please see the Exit Devices Options on page 97 of this catalog.



How to Order & Related Products

8500, 3600 Metal Door Concealed Vertical Rod Exit Device: Specify quantity and the following information. Order related products separately.

MODEL	PUSH BAR FINISH	ROD TYPE	DEVICE OPTIONS	MONITORING OPTION	DOOR OPENING WIDTH On pair of doors, specify HALF of the total exit opening		US FINISH	END CAPS OPTION FOR US FINISH
85	00	T	ED	M	-36			
36 Fire Rated	00 US Finish	T Top Rod only	LR Electric Latch Retraction (solenoid)	M Single Switch	30 30 inches*	42 42 inches	US3 Bright Brass	MEC Matching End Caps
85 Life-Safety	11 Clear Anodized 628	- Standard rod	MLR Motorized Latch Retraction	M2 Dual Switch	36 36 inches	48 48 inches	US4 Satin Brass	
	22 Dark Bronze Anodized 313		C Cylinder Dogging (non-fire rated devices ONLY)	(Blank) No Monitor	AXXB Alarmed Exit Device where XX is door opening width		US32 Bright Stainless	
	33 Black Anodized 335		A Alarm				US32D Satin Stainless	
			- No Option					

* Please note that 30" exit devices cannot accommodate monitoring options, except when ordered in conjunction with the MLR option.

RELATED PRODUCTS When purchasing this product, please consider the following related products, available separately:

TRIM	CYLINDER	ACCESSORIES	POWER
3080, 3080E Series Entry Trim, 3090-150, 3001 Fixed Pull (for hollow metal or wood)	Operable by 4036 Mortise Cylinder depending upon the ANSI/BHMA functions of the exit device	26-0584 Sex Bolt Kit (two required per device) 3655 Tall Door Kit REX-Monitor/Signal Kits 8650 Cylinder Escutcheon Kit	PS-EXIT Power Supply (replaces PS-SE and PS-LR models), 4612 Power Transfer Device, 4605 Transformer, 4603 Rectifier

8600 Series

Narrow Stile Concealed Vertical Rod Exit Device



The 8600 Series Narrow Stile Concealed Vertical Rod Exit Device is designed for narrow stile aluminum applications that require a life-safety exit device with concealed vertical rods for two-point locking. Designed for use in applications with single doors or pairs of doors.

Certifications

UL 305 Panic hardware

ANSI/BHMA A156.3, Grade 1



Shown with
8675 mid-panel

Features

Materials

Push bar made of extruded aluminum, cladded or anodized in a variety of finishes.

Handing

Device is non-handed.

Push bar Length

Standard sizes: dimensioned for 30" [762.0 mm], 36" [914.4 mm], 42" [1,066.8 mm], and 48" [1,219.2 mm] openings. Standard width bars can be field cut to the next smallest opening width.

Bar Height

Standard model adjusts from 30" [762 mm] to 44" [1117.6 mm].

Door Thickness

Suits 1-3/4" [44.5 mm] standard, up to 2-1/4" [57.2 mm]. Device requires modification when used with cylinder in doors over 1-3/4" [44.5 mm]. Please contact factory for more details.

Door Height

Standard configuration suitable for doors up to 66" [1,676.4 mm] above the selected bar height. For doors over 66" [1,676.4 mm] above bar height, up to 10' [3.05 m] use 8655 Tall Door Kit available separately.

Stile Width

Minimum 2" [50.8 mm] stile. Fits narrow, medium, and wide stile aluminum doors.

Stile Wall

Doors with stile walls other than 1/8" [3.2 mm] require modification.

Projection

2-5/8" [66.7 mm] when fully projected, 1-5/8" [41.3 mm] when dogged.

Dogging

Standard dogging with hex key or optional cylinder dogging. Electric Dogging option has been discontinued. Motorized and Electric Latch Retraction options can replace Electric Dogging requirement, see Options & Accessories.

Fasteners

Standard machine screws.

Cylinders

Accepts any standard 1" [25.4 mm] length, 1-5/32" [29.4 mm] diameter mortise cylinder with MS® cam such as the 4036 Mortise Cylinder. Accommodates cylinder lengths from 1" [25.4 mm] to 1-1/4" [31.8 mm]. Available separately.

Cylinder x Fixed Pull Functions

For entry trim function 03 (Night latch - key releases latch) select any standard 1" [25.4 mm] length, 1-5/32" [29.4 mm] diameter mortise cylinder with MS® cam such as the 4036 Mortise Cylinder. Accepts any standard mortise cylinder with MS® cam.

If key entry operation is required, any standard mortise cylinder with MS® cam can be installed through an 8650 Cylinder Escutcheon. 8650 Cylinder Escutcheon Kit available separately.

Entry Trim Functions

For entry trim function 08 (key locks/unlocks lever) or function 09 (key releases lever) select any standard 1" [25.4 mm] length, 1-5/32" [29.4 mm] diameter mortise cylinder with MS® cam such as the 4036 Mortise Cylinder. Accommodates cylinder lengths from 1" [25.4 mm] to 1-1/4" [31.8 mm]. Available separately.

Bolts and Strikes

The patented top latching mechanism utilizes a rotating top bolt which deadlatches around the header strike, interlocking the door to the frame. Supplied with standard header strike. Adjustable protected steel rods. The hexagonal, hardened steel bottom bolt is shielded in a cast housing for strength and stability.

Standard Package

Individually boxed.

Shipping Weight

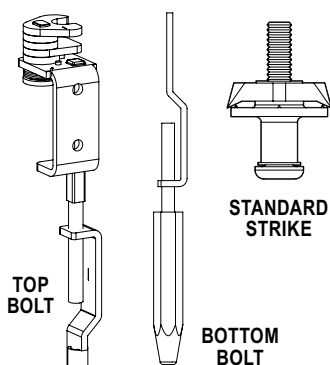
12 lbs [5.44 kg]

Options

- Available in top rod only version, less bottom rod. Specify by adding "T" after exit device model number.
- **Electrification Options**
- Motorized Latch Retraction, Electric Latch Retraction (LR), Alarm, Monitoring, Cylinder Dogging, Matching End Caps

For more detailed information on any of the options listed above please see the Exit Devices Options on page 97 of this catalog.

All measurements are approximate and are provided for informational purposes only. Refer to the product Installation Instructions.



How to Order & Related Products

8600 Narrow Stile Surface Vertical Rod Exit Device Specify quantity and the following information. Order related products separately.

MODEL	PUSH BAR FINISH	ROD TYPE	DEVICE OPTIONS	MONITORING OPTION	DOOR OPENING WIDTH On pair of doors, specify HALF of the total exit opening		US FINISH	END CAPS OPTION FOR US FINISH
86	22	T	MLR	M2	-36			
86 Life-Safety	00 US Finish	T Top Rod only	LR Electric Latch Retraction (solenoid)	M Single Switch	30 30 inches*	42 42 inches	US3 Bright Brass	MEC Matching End Caps
	11 Clear Anodized 628	- Standard rod	MLR Motorized Latch Retraction	M2 Dual Switch	36 36 inches	48 48 inches	US4 Satin Brass	
	22 Dark Bronze Anodized 313		C Cylinder Dogging (non-fire rated devices ONLY)	(Blank) No Monitor	AXXB Alarmed Exit Device where XX is door opening width	US32 Bright Stainless		
	33 Black Anodized 335		A Alarm			US32D Satin Stainless		
			(Blank) No Option					

* Please note that 30" exit devices cannot accommodate monitoring options, except when ordered in conjunction with the MLR option.

RELATED PRODUCTS When purchasing this product, please consider the following related products, available separately:

TRIM	CYLINDER	ACCESSORIES	POWER
3080, 3080E Series Entry Trim, 3090-150	Operable by 4036 Mortise Cylinder depending upon the ANSI/BHMA functions of the exit device	8655 Tall Door Kit 8650 Cylinder Escutcheon kit REX-Monitor/Signal Kits	PS-EXIT Power Supply (replaces PS-SE and PS-LR models) , 4612 Power Transfer Device, 4605 Transformer, 4603 Rectifier



LISTED



Grade 1



Hollow Metal



Wood



Fire Rated

3700 Only



Electrified Option

3700 Series Fire-Rated Rim Exit Device

8700 Series Life-Safety Rim Exit Device

The **3700 Series Fire-Rated Rim Exit Device** is designed for hollow metal and wood applications that require a fire-rated exit device with Starwheel interlocking solution.

The **8700 Series Rim Exit Device** is designed for hollow metal and wood applications that require a life-safety exit device with Starwheel interlocking solution.

Designed for use in applications with single doors or pairs of doors with a mullion.



MODEL	TYPE	RATING	DOOR CONSTRUCTION	MAX SIZE SINGLE DOORS	MAX SIZE PAIR & DOUBLE EGRESS
3700	(RE) Rim Exit	3 hr	Hollow Metal DoorWood Door	4'-0" x 10'-0"	8'-0" x 10'-0"

Certifications

UL 305 Panic Hardware

3700 Only: UL10C fire-rated, up to 3 hours

CAN/ULC S104 fire door conformant

NFPA 252 fire door conformant

ANSI/BHMA A156.3, Grade 1

Features

Materials

Push bar made of extruded aluminum, clad or anodized in a variety of finishes.

Handing

Device is non-handed

Push bar Length

Standard sizes: dimensioned for 30" [762.0 mm], 36" [914.4 mm], 42" [1,066.8 mm], and 48" [1,219.2 mm] openings. Standard width bars can be field cut to the next smallest opening width.

Door Thickness

Suits 1-3/4" [44.5 mm] standard, up to 2-1/4" [57.2 mm]

Stile Width

Minimum 3-3/4" [95.3 mm]. Door construction may require additional stile width to meet fire ratings and provide adequate strength.

Projection

2-5/8" [66.7 mm] when fully projected, 1-5/8" [41.3 mm] when dogged.

Dogging

Standard dogging with hex key or cylinder dogging for 8700 Series only. Electric Dogging option has been discontinued. Motorized and Electric Latch Retraction options can replace Electric Dogging requirement, see Options & Accessories.

Fasteners

Standard self-tapping screws and machine screws. Optional Sex Bolt Kits 26-0584 (two required per device) available separately.

Cylinders

Select any standard 1-5/32" [29.4 mm] diameter rim cylinder such as the 8736 Rim Cylinder. Available separately.

Cylinder x Fixed Pull Functions

For function 03 (Night latch - key releases latch) select any standard 1-5/32" [29.4 mm] diameter rim cylinder such as the 8736 Rim Cylinder.

Entry Trim Functions

For entry trim function 08 (key locks/unlocks lever) or function 09 (key releases lever) select any standard 1" [25.4 mm] length, 1-5/32" [29.4 mm] diameter mortise cylinder with MS® cam such as the 4036 Mortise Cylinder. Accommodates cylinder lengths from 1" [25.4 mm] to 1-1/4" [31.8 mm]. Available separately.

Strike

Standard hardened steel strike (included).

Standard Package

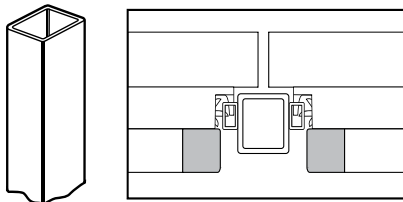
Individually boxed.

Shipping Weight

10 lbs [4.54 kg]

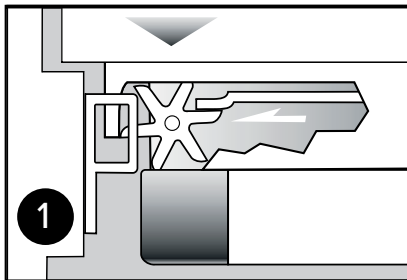
Removable Mullion

Allows the use of rim exit devices on paired doors without narrowing the doors. Provides higher security and better traffic flow than paired doors with vertical rod exit devices. 3889 Steel Mullion available separately. Select for use with doors up to 8' [2.44 m].

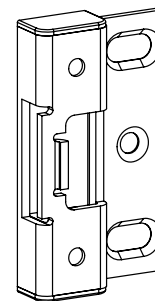
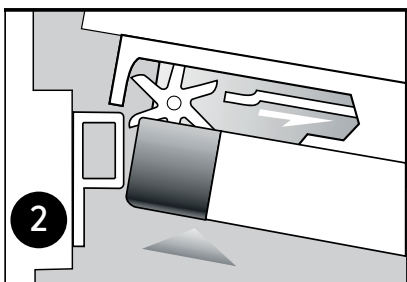


Starwheel Bolt

1. When door closes, the interlocking noseguard and Starwheel bolt close around the strike. The deadlocking slide spring over, locking the Starwheel bolt to the strike.

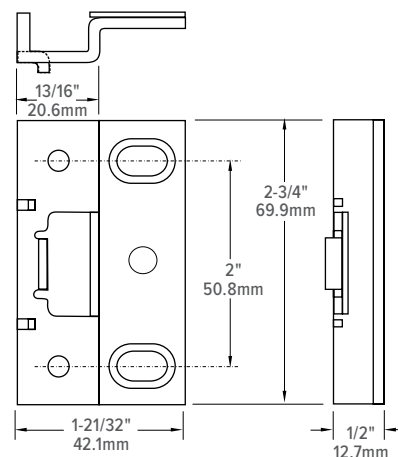


2. When push bar is depressed, the deadlocking slide moves back, allowing the door to unlock from the strike. This unique interlock provides solid security and prevents jamb spreading.



Strike Dimensions

All measurements are approximate and are provided for informational purposes only. Refer to the product Installation Instructions.



Options

• **Electrification Options**

Motorized Latch Retraction, Electric Latch Retraction (EL), Alarm, Monitoring, Cylinder Dogging, Matching End Caps

For more detailed information on any of the options listed above please see the Exit Devices Options on page 97 of this catalog.

How to Order & Related Products

8700, 3700 Rim Exit Device: Specify quantity and the following information. Order related products separately.

MODEL	PUSH BAR FINISH	DEVICE OPTIONS	MONITORING OPTION	DOOR OPENING WIDTH On pair of doors, specify HALF of the total exit opening		US FINISH	END CAPS OPTION FOR US FINISH	VOLTAGE
87	00	EL	M2	-36				-12
37 Fire Rated	00 US Finish	EL Electric Latch Retraction (solenoid)	M Single Switch	30 30 inches*	42 42 inches	US3 Bright Brass	MEC Matching End Caps	12 Volts
87 Life-Safety	01 Clear Anodized 628	MLR Motorized Latch Retraction	M2 Dual Switch	36 36 inches	48 48 inches	US4 Satin Brass		24 Volts (For EL Option Only)
	02 Dark Bronze Anodized 313	C Cylinder Dogging (non-fire rated devices ONLY)	(Blank) No Monitor	AXXB Alarmed Exit Device where XX is door opening width		US32 Bright Stainless		
	03 Black Anodized 335	A Alarm				US32D Satin Stainless		
		- No Option						

* Please note that 30" exit devices cannot accommodate monitoring options, except when ordered in conjunction with the MLR option.

RELATED PRODUCTS When purchasing this product, please consider the following related products, available separately:

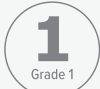
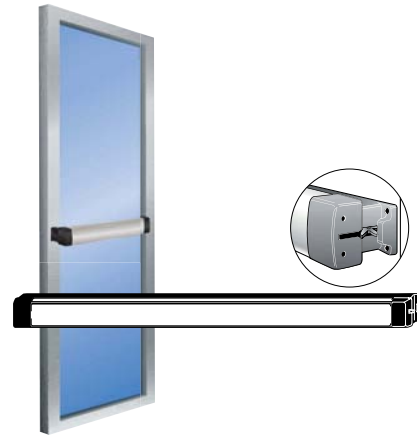
TRIM	CYLINDER	ACCESSORIES	POWER
3080, 3080E Series Entry Trim, 3090-150, 3001 Fixed Pull (for hollow metal or wood)	Operable by either 4036 Mortise Cylinder or 8736 Rim Cylinder depending upon the ANSI/BHMA functions of the exit device	26-0584 Sex Bolt Kit (two required per device) REX-Monitor/Signal Kits	PS-1, PS-EXIT Power Supply (replaces PS-SE model), 4612 Power Transfer Device, 4605 Transformer, 4603 Rectifier



8800 Series

Narrow Stile Rim Exit Device

The 8800 Series Narrow Stile Rim Exit Device is designed for narrow stile aluminum applications that require a life-safety exit device with Starwheel interlocking solution. Designed for use in applications with single doors or pairs of doors with a mullion.



Certifications

UL 305 Panic
Hardware

ANSI/BHMA
A156.3, Grade 1

Features

Materials

Push bar made of extruded aluminum, clad or anodized in a variety of finishes.

Handing

Device is non-handed.

Push bar Length

Standard sizes: dimensioned for 30" [762.0 mm], 36" [914.4 mm], 42" [1,066.8 mm], and 48" [1,219.2 mm] openings. Standard width bars can be field cut to the next smallest opening width.

Door Thickness

Suits 1-3/4" [44.5 mm] standard, up to 2-1/4" [57.2 mm].

Stile Width

Minimum 2" [50.8 mm] stile. Fits narrow, medium, and wide stile aluminum doors.

Projection

2-5/8" [66.7 mm] when fully projected, 1-5/8" [41.3 mm] when dogged.

Dogging

Standard dogging with hex key or optional cylinder dogging. Electric Dogging option has been discontinued. Motorized and Electric Latch Retraction options can replace Electric Dogging requirement, see Options & Accessories.

Fasteners

Standard machine screws.

Cylinders

Select any standard 1-5/32" [29.4 mm] diameter rim cylinder such as the 8736 Rim Cylinder. Available separately.

Cylinder x Fixed Pull Functions

For function 03 (Night latch - key releases latch) select any standard 1-5/32" [29.4 mm] diameter rim cylinder such as the 8736 Rim Cylinder.

Entry Trim Functions

For entry trim function 08 (key locks/unlocks lever) or function 09 (key releases lever) select any standard 1" [25.4 mm] length, 1-5/32" [29.4 mm] diameter mortise cylinder with MS® cam such as the 4036 Mortise Cylinder. Accommodates cylinder lengths from 1" [25.4 mm] to 1-1/4" [31.8 mm]. Available separately.

Strike

Standard strike and narrow versions for centering doors in 4" jamb (both strikes included).

Standard Package

Individually boxed.

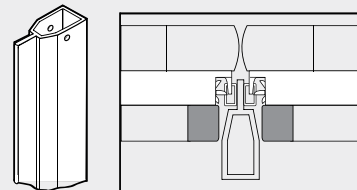
Shipping Weight

10 lbs [4.54 kg]

Removable Mullion

Allows the use of rim exit devices on paired doors without narrowing the doors. Provides higher security and better traffic flow than paired doors with vertical rod exit devices.

3890 Aluminum Mullion available separately. Select for use with doors up to 8' [2.44 m] or 10' [3.05 m]. Available in 313 Dark bronze anodized or 628 Clear anodized finish.



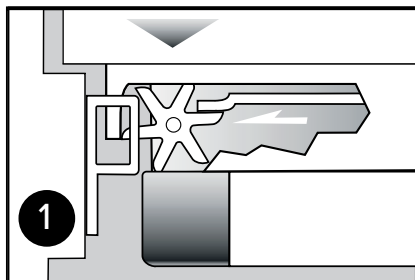
Options

• Electrification Options

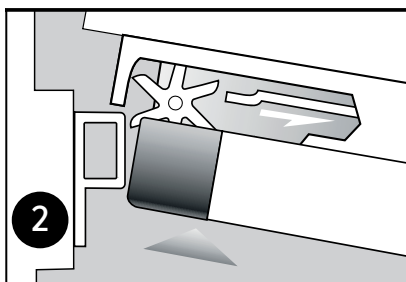
Motorized Latch Retraction, Electric Latch Retraction (EL), Alarm, Monitoring, Cylinder Dogging, Matching End Caps

Starwheel Bolt

1. When door closes, the interlocking noseguard and Starwheel bolt close around the strike. The deadlocking slide spring over, locking the Starwheel bolt to the strike.



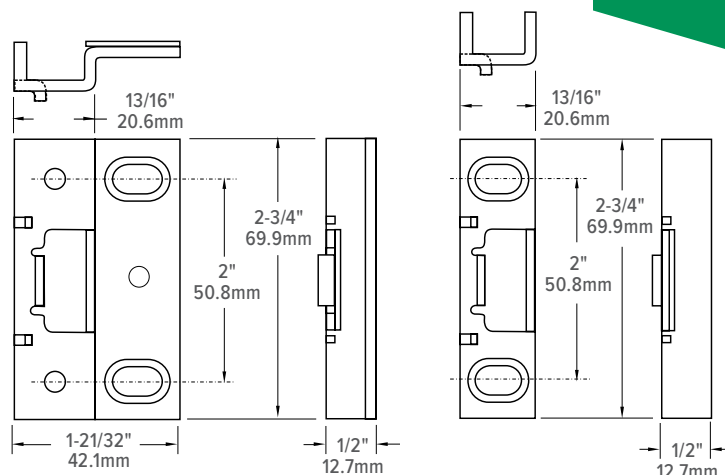
2. When push bar is depressed, the deadlocking slide moves back, allowing the door to unlock from the strike. This unique interlock provides solid security and prevents jamb spreading.



For more detailed information on any of the options listed above please see the Exit Devices Options on page 97 of this catalog.

Strike Dimensions

All measurements are approximate and are provided for informational purposes only. Refer to the product Installation Instructions.



Shown with
7800 Electric Strike

How to Order & Related Products

8800 Rim Exit Device: Specify quantity and the following information. Order related products separately.

MODEL	PUSH BAR FINISH	DEVICE OPTIONS	MONITORING OPTION	DOOR OPENING WIDTH On pair of doors, specify HALF of the total exit opening		US FINISH	END CAPS OPTION FOR US FINISH	VOLTAGE
88	01	C	M2	-36				-12
88 Life-Safety	00 US Finish	EL Electric Latch Retraction (solenoid)	M Single Switch	30 30 inches*	42 42 inches	US3 Bright Brass	MEC Matching End Caps	12 Volts
	01 Clear Anodized 628	MLR Motorized Latch Retraction	M2 Dual Switch	36 36 inches	48 48 inches	US4 Satin Brass		24 Volts (For EL Option Only)
	02 Dark Bronze Anodized 313	C Cylinder Dogging (non-fire rated devices ONLY)	(Blank) No Monitor	AXXB Alarmed Exit Device where XX is door opening width		US32 Bright Stainless		
	03 Black Anodized 335	A Alarm - No Option				US32D Satin Stainless		

* Please note that 30" exit devices cannot accommodate monitoring options, except when ordered in conjunction with the MLR option.

RELATED PRODUCTS When purchasing this product, please consider the following related products, available separately:

TRIM	CYLINDER	ACCESSORIES	POWER
3080, 3080E Series Entry Trim, 3090-150	Operable by either 4036 Mortise Cylinder or 8736 Rim Cylinder depending upon the ANSI/BHMA functions of the exit device	REX-Monitor/Signal Kits	PS-1, PS-EXIT Power Supply (replaces PS-SE model), 4612 Power Transfer Device, 4605 Transformer, 4603 Rectifier

P8800 | P8700

Pullman Rim Exit Device

Pullman Rim Exit Devices are designed for narrow stile aluminum (P8800), hollow metal and wood (P8700) applications that require a life-safety exit device with Pullman latching solution. The P8800 and P8700 features a 3/4" stainless steel Pullman latchbolt.



Function

When the door closes, the 3/4" throw deadlocking stainless steel Pullman latchbolt nests inside the strike assembly and the smaller deadlatch rests on the strike assembly activating the deadlatching feature. When the active pushbar is depressed, both the Pullman latchbolt and the smaller deadlatch are retracted, allowing the door to open.

Suitable for use on single doors, or with mullion on pairs of doors. Designed for optimal performance in high-use areas.

Certifications

UL 305 Panic Hardware
ANSI/BHMA A156.3, Grade 1



Features

Materials

Active pushbar and back bar made of extruded aluminum, available in choice of finishes.

Handing

Device is non-handed.

Push bar Length

Standard sizes: dimensioned for 30" [762.0 mm], 36" [914.4 mm], 42" [1,066.8 mm], and 48" [1,219.2 mm] openings. Standard width bars can be field cut to the next smallest opening width.

Door Thickness

- Suitable for use with all door thickness.
- Can be used with trim on 1-3/4" thick doors, up to 2-1/4" door thickness.
- When cylinders are required, select rim cylinder length based upon door thickness

Stile Width

Minimum 2" stile. Fits ultra-narrow, narrow, medium and wide stile aluminum doors.

Projection

2-1/2" when fully projected, 1-3/4" when dogged.

Dogging

Standard dogging with 3/16" hex key.

Fasteners

Device mounted using standard type 'F' self-tapping screws. Rivnuts are provided for the P8700 only.

Strike

Horizontally adjustable strike assembly body made of Zamak 5 with hardened steel roller. Standard strike assembly suitable for centering doors in 4" jamb. Strike plate adjusts 1/4" horizontally.

Cylinders

Select any standard 1-5/32" [29.4 mm] diameter rim cylinder such as the 8736 Rim Cylinder. Available separately.

Cylinder x Fixed Pull Functions

For function 03 (Night latch - key releases latch) select any standard 1-5/32" [29.4 mm] diameter rim cylinder such as the 8736 Rim Cylinder.

Entry Trim Functions

For entry trim function 08 (key locks/unlocks lever) or function 09 (key releases lever) select any standard 1" [25.4 mm] length, 1-5/32" [29.4 mm] diameter mortise cylinder with MS® cam such as the 4036 Mortise Cylinder. Accommodates cylinder lengths from 1" [25.4 mm] to 1-1/4" [31.8 mm]. Available separately.

Standard Package

Individually boxed.

Shipping weight

10 lbs [4.54 kg]

Options

- **Electrification Options**

Motorized Latch Retraction (MLR), Alarm, Monitoring

- Cylinder Dogging, Matching End Caps (optional metallic end caps finished to US options)

- **Finishes**

See How to Order for all options (see current 8800 page for reference on treatment)

For more detailed information on any of the options listed above please see the Exit Devices Options page of this catalog.

How to Order & Related Products

P8800 | P8700 Pullman Rim Exit Device: Specify quantity and the following information. Order related products separately.

MODEL	PUSH BAR FINISH	DEVICE OPTIONS	MONITORING OPTION	DOOR OPENING WIDTH On pair of doors, specify HALF of the total exit opening		US FINISH	END CAPS OPTION FOR US FINISH
P88	01	C	M2	-36			
P88 For aluminum	00 US Finish	MLR Motorized Latch Retraction	M Single Switch	30 30 inches*	42 42 inches	US3 Bright Brass	MEC Matching End Caps
P87 For hollow metal & wood	01 Clear Anodized 628	C Cylinder Dogging ** (non-fire rated devices ONLY)	M2 Dual Switch	36 36 inches	48 48 inches	US4 Satin Brass	
	02 Dark Bronze Anodized 313	A Alarm	(Blank) No Monitor	AXXB Alarmed Exit Device where XX is door opening width		US32 Bright Stainless	
	03 Black Anodized 335	(Blank) No Option				US32D Satin Stainless	

*Please note that 30" exit devices cannot accommodate monitoring options, except when ordered in conjunction with MLR option.

** Cylinder dogging cannot be combined with any other exit device option.

RELATED PRODUCTS When purchasing this product, please consider the following related products, available separately:

ELECTRIC STRIKES	TRIM	CYLINDER	ACCESSORIES	POWER
74R1 Electric Strike	3080, 3080E Series Entry Trim, 3090-150, 3001 Fixed Pull (for hollow metal or wood)	Operable by either 4036 Mortise Cylinder or 8736 Rim Cylinder depending upon the ANSI/BHMA functions of the exit device	26-0584 Sex Bolt Kit (two required per device) REX-Monitor/Signal Kits	PS-EXIT (replaces PS-SE & PS-LR models), 4612 Power Transfer, 4603 Rectifier, 4605 Transformer

3900 Series Fire-Rated Surface Concealed Vertical Rod Exit Device

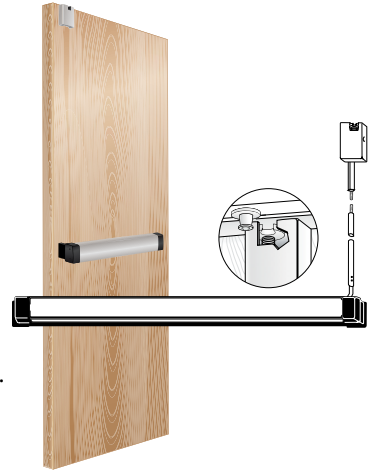
8900 Series Life-Safety Surface Concealed Vertical Rod Exit Device

-  **UL LISTED**
-  **1**
Grade 1
-  **Wood**
-  **Fire Rated**
- 3900 Only**
-  **Electrified Option**

The **3900 Series Fire-Rated Surface Concealed Vertical Rod Exit Device** is designed for wood applications that require a fire-rated exit device with concealed vertical top rod and surface concealed actuator single-point latching in header.

The **8900 Series Surface Concealed Vertical Rod Exit Device** is designed for wood applications that require a life-safety exit device with concealed vertical top rod and surface concealed actuator single-point latching in header.

Designed for use in applications with single doors or pairs of doors.



MODEL	TYPE	RATING	DOOR CONSTRUCTION	MAX SIZE SINGLE DOORS	MAX SIZE PAIR & DOUBLE EGRESS
3900	CVR-TRO	1-1/2 hr	Wood Door	4'-0" x 9'-0"	8'-0" x 9'-0"

Certifications

UL 305 Panic Hardware

3900 Only: UL10C fire-rated, up to 1-1/2 hours

CAN/ULC S104 fire door conformant

NFPA 252 fire door conformant

ANSI/BHMA A156.3, Grade 1

Features

Materials

Push bar made of extruded aluminum, clad or anodized in a variety of finishes.

Handing

Device is non-handed.

Push bar Length

Standard sizes: dimensioned for 30" [762.0 mm], 36" [914.4 mm], 42" [1,066.8 mm], and 48" [1,219.2 mm] openings. Standard width bars can be field cut to the next smallest opening width.

Bar Height

Standard model adjusts from 30" [762 mm] to 44" [1117.6 mm].

Door Height

Standard configuration suitable for doors up to 66" [1,676.4 mm] above the selected bar height. For doors over 66" [1,676.4 mm] above bar height, up to 10' [3.05 m] use 3955-01 Tall Door Kit available separately.

Door Thickness

Suits 1-3/4" [44.5 mm] standard.

Projection

2-5/8" [66.7 mm] when fully projected, 1-5/8" [41.3 mm] when dogged.

Dogging

Standard dogging with hex key or with cylinder not available on fire-rated exit devices. Electric Dogging option has been discontinued. Motorized and Electric Latch Retraction options can replace Electric Dogging requirement, see Options & Accessories.

Fasteners

Standard self-tapping screws and machine screws. Optional Sex Bolt Kits 26-0584 (two required per device) available separately.

Cylinders

Operable with mortise cylinder (4036) only via 3080 Entry Trim.

Entry Trim Functions

For entry trim function 08 (key locks/unlocks lever) or function 09 (key releases lever) select any standard 1" [25.4 mm] length, 1-5/32" [29.4 mm] diameter mortise cylinder with MS® cam such as the 4036 Mortise Cylinder. Accommodates cylinder lengths from 1" [25.4 mm] to 1-1/4" [31.8 mm]. Available separately.

Bolts and Strikes

The patented top latching mechanism utilizes a rotating top bolt which deadlatches around the header strike, interlocking the door to the frame. Supplied with standard header strike. Adjustable protected steel rods. The hexagonal, hardened steel bottom bolt is shielded in a cast housing for strength and stability. For wood frames, an additional plate is supplied for securing the header strike.

Standard Package

Individually boxed.

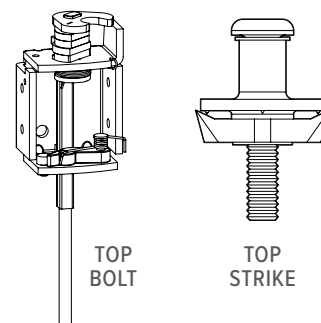
Shipping Weight

12 lbs [5.44 kg]

Options

- Available in top rod only version, less bottom rod. Specify by adding "T" after exit device model number.
- **Electrification Options**
- Motorized Latch Retraction, Electric Latch Retraction (LR), Alarm, Monitoring, Cylinder Dogging, Matching End Caps

For more detailed information on any of the options listed above please see the Exit Devices Options on page 97 of this catalog.



TOP BOLT

TOP STRIKE

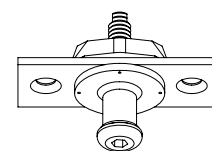
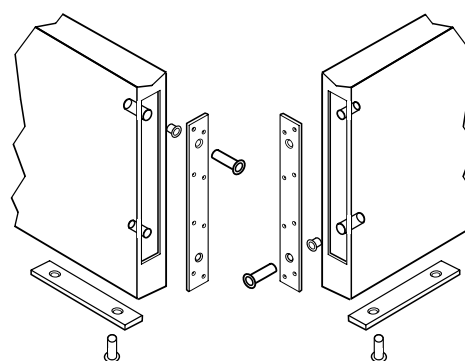


Plate for wood frames are furnished with 8900

How to Order & Related Products

8900, 3900 Rim Exit Device: Specify quantity and the following information. Order related products separately.

MODEL	PUSH BAR FINISH	DEVICE OPTIONS	MONITORING OPTION	DOOR OPENING WIDTH On pair of doors, specify HALF of the total exit opening		US FINISH	END CAPS OPTION FOR US FINISH
89	00	LR	M2	-36			
39 Fire Rated	00 US Finish	LR Electric Latch Retraction (solenoid)	M Single Switch	30 30 inches*	42 42 inches	US3 Bright Brass	MEC Matching End Caps
89 Life-Safety	11 Clear Anodized 628	MLR Motorized Latch Retraction	M2 Dual Switch	36 36 inches	48 48 inches	US4 Satin Brass	
	22 Dark Bronze Anodized 313	C Cylinder Dogging (non-fire rated devices ONLY)				(Blank) No Monitor	
	33 Black Anodized 335	A Alarm				US32D Satin Stainless	
		- No Option					

** Please note that 30" exit devices cannot accommodate monitoring options, except when ordered in conjunction with the MLR option.

RELATED PRODUCTS When purchasing this product, please consider the following related products, available separately:

TRIM	CYLINDER	ACCESSORIES	POWER
3080, 3080E Series Entry Trim, 3090-150, 3001 Fixed Pull (for hollow metal or wood)	Operable with mortise cylinder (4036) only via 3080 Entry Trim	26-0584 Sex Bolt Kit (two required per device) REX-Monitor/Signal Kits	PS-EXIT Power Supply (replaces PS-SE and PS-LR models), 4612 Power Transfer Device, 4605 Transformer, 4603 Rectifier

8099 Dummy Push Bar



The 8099 Dummy Push Bar is designed for narrow stile aluminum, hollow metal, and wood applications that do not require a latching/locking life-safety exit device.

Function

Dummy Push Bar with no latch mechanism but with either single or dual monitor/signal switches. May be used in conjunction with a maglock, where the push bar turns off the magnet and allows exit from the building. Dual switch version allows redundancy where required by code or the operation of a signal device. Designed for applications with single or pairs of doors.



Features

Materials

Push bar made of extruded aluminum, available variety of architectural finishes.

Stile Width

- For hollow metal and wood applications: minimum 3-3/4" [95.3 mm]
- For aluminum applications: minimum 2" [50.8 mm] stile.

Fasteners

- For hollow metal and wood applications: standard self-tapping screws and machine screws.
- For aluminum applications: standard machine screws.

Push Bar Length

Standard sizes: dimensioned for 30" [762.0 mm], 36" [914.4 mm], 42" [1,066.8 mm], and 48" [1,219.2 mm] openings.

Standard Package

Individually boxed.

Shipping Weight

6 lbs [2.72 kg].

Options

- **8099M0:** Active dummy push bar, no monitoring switches
- **8099M1:** Active dummy push bar, single monitoring switch
- **8099M2:** Active dummy push bar, dual monitoring switches
- Available for aluminum, hollow metal and wood applications. Specify door type and width when ordering.
- Optional Sex Bolt Kits 26-0584 (two required per device) available separately.

How to Order

8099 Dummy Push bar Specify quantity and the following information. Order related products separately.

MODEL	MONITOR	DOOR TYPE	PUSH BAR FINISH	WIDTH	US FINISH
8099	-M1	-3	0	36	
	M0 Active Dummy Bar, no monitoring switch	3 Aluminum	0 US Finish	30 30 inches	US3 Bright Brass
	M1 Active Dummy Bar, one monitoring switch	4 Wood or Hollow Metal	1 Clear Anodized 628	36 36 inches	US4 Satin Brass
	M2 Active Dummy Bar, two monitoring switch		2 Dark Bronze Anodized 313	42 42 inches	US32 Bright Stainless
			3 Black Anodized 335	48 48 inches	US32D Satin Stainless

Options & Accessories

Adams Rite Exit Devices can be ordered with electrification options for standalone access control or integration with maglocks, card readers, keypads, fire alarms, power door operators, and other control systems. Different exit device types have different installation and power requirements. Please refer to product pages for detailed information.

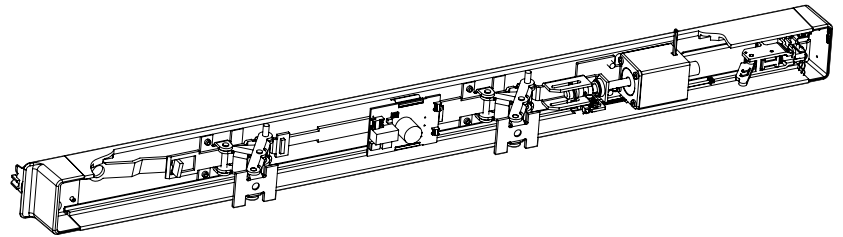
Motorized Latch Retraction

The Motorized Latch Retraction (MLR) option incorporates a powerful and efficient motor to unlatch the exit device. Motor-powered latch retraction provides a quieter operation than solenoid options.

- No calibration required for installation
- Robust linkage mechanism for extended operation
- Motor-driven latch retraction
- Available for 30" – 48" doors
- 850mA during retraction and 370mA maintained in dogged hold position
- Requires 2A at 24 VDC regulated/ filtered power supply
- Continuous or intermittent use
- Configured for fail-secure. In the event of a power failure, the exit device defaults to latched condition
- Available for panic and fire exit hardware
- Compatible with REX monitoring
- Order PS-EXIT Power Supply separately; power and control up to two MLR or LR exit devices in single or dual input

operations, see POWER for additional details (Product note: PS-EXIT replaces legacy PS-SE model). **Adams Rite recommends that for optimal performance all exit devices with the MLR option be paired with PS-EXIT power supplies.**

- 4612 Power Transfer is available separately for secure and unobtrusive means of channeling electrical wiring from the door frame into the door itself.



Electric Latch Retraction (solenoid)

The EL option for rim exit devices and LR option for all other exit devices (non-rim exit devices) use a solenoid mounted under the pushbar for instantaneous unlocking and locking of the exit device from a remote location or access control device. Because electrical operation of device is fail-secure, this option can be used on fire-rated as well as life-safety applications. In the event of a power failure, device automatically relocks.

LR Option

- Solenoids are rated for both intermittent and continuous operation. Solenoid Specifications for CVR, SVR, and Mortise type devices (LR option):
- 16 Amps inrush/ 0.5 Amps hold

- Order PS-LR Power Supply separately for LR option (PS-LR powers two exit devices). Rated for continuous duty (see POWER). **Adams Rite recommends that for optimal performance all CVR, SVR, and mortise type exit devices with the LR option are installed and powered using PS-LR power supplies.**
- 4612 Power Transfer is available separately for secure and unobtrusive means of channeling electrical wiring from the door frame into the door itself.

EL Option

Rim devices with the EL option are available in 12 or 24 VDC, and can be powered with a simple transformer and rectifier or other DC power supply.

- EL-12 VDC – 1.5 Amps inrush/hold

- EL-24 VDC – 0.6 Amps inrush/hold
- Solenoids are rated for both intermittent and continuous operation. Only rim exit devices with the "EL" application are available with mechanical dogging, specify "ELD"
- Order PS-EXIT Power Supply separately; power and control up to two MLR or LR exit devices in single or dual input operations, see POWER for additional details (Product note: PS-EXIT replaces legacy PS-LR model). **Adams Rite recommends that for optimal performance, all CVR, SVR, and Mortise type exit devices with the LR option are installed and powered using PS-EXIT power supplies.**
- 4612 Power Transfer is available separately for secure and unobtrusive means of channeling electrical wiring from the door frame into the door itself.

Options & Accessories

Alarm

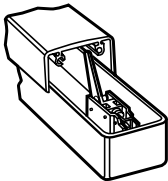
Suitable for all Adams Rite exit devices 36" wide or greater. This battery-operated alarm option emits a loud 95 decibel alarm to notify management of unauthorized exit. Alarm is controlled by a key in standard 1" [25.4 mm] length, 1-5/32" [29.4 mm] diameter mortise cylinder with MS® cam such as the 4036 Mortise Cylinder. The cylinder is used to arm, disarm, delay, or reset the alarm. Will not alter the life-safety characteristics of the exit device in any way. Red letters printed on the bar give a "hands off" warning to deter accidental activation. Four AA alkaline batteries power twin horns for two minutes (or until disarmed) when pushbar is depressed. Beeps to signal need for new batteries.



Monitor

Mounted under the exit device pushbar on the hinge end, switches may be used to activate signal light, horn, monitor, or other devices. Switches can be wired for normally open or normally closed. Can be retrofit in field to existing exit devices. Dual switch version offers redundancy as required by some building codes or it can operate a second signaling device. Suitable for all Adams Rite exit devices.

- Order Monitor/Signal Kits for upgrading any 3000 or 8000 Series device: 91-0897-01 for Single Monitoring Switch Kit or 91-0897-02 for Dual Monitoring Switch Kit.
- **M1:** Single monitoring switch
- **M2:** Dual monitoring switches



Cylinder Dogging

Suitable for all non-fire rated Adams Rite exit devices that require management control of exit device dogging. Any standard 15/16" [23.8 mm] to 1-1/8" [28.6 mm] length, 1-5/32" [29.4 mm] diameter mortise cylinder with MS® cam such as the 4036 Mortise Cylinder can be used in a pushbar prepared at factory with Cylinder Dogging kit. Cannot be ordered with any other exit device options.



Electric Dogging

Motorized and Electric Latch Retraction options can replace Electric Dogging requirement, see the start of this section for more information.

Matching End Caps

Standard Adams Rite exit devices come with black metal end caps. Matching end caps are available for applications where it is preferable that the end caps match the finish of the exit device. Available for US finishes only. Specify by adding "MEC" after the regular ordering matrix.



Available exit bar finishes.

Related Products

Trim

- 3080 Series Entry Trim
- 3090 e-Force® Keyless Entry

Electric Strikes

- 7100 Series, 7400 Series, 7800 Series (for 3300/8300, 8400 Mortise Exit Devices)
- 74R1 (for Pullman Rim Exit Devices)

Cylinders

- 4036 Mortise Cylinder or 8736 Rim Cylinder depending on ANSI/BHMA function

Power Supplies & Accessories

- PS-EXIT
- 4612 Power Transfer, 4603 Rectifier, 4605

Resources

Training

Adams Rite provides a number of learning opportunities on a variety of physical access control and door hardware topics.

Exit Device Cut Down Matrix

Scan the QR Code below to access a PDF of the Adams Rite Exit Device Cut-down Matrix.



Electric Strikes



7100 Series

Electric Strikes for Adams Rite Deadlatches & Cylindrical Locks

Designed for use with Adams Rite deadlatches or cylindrical locksets with 1/2" [12.7 mm] to 5/8" [15.9 mm] latchbolt projection. For use in aluminum, hollow metal, or wood applications.

Function

Remote electrical control of any door equipped with an Adams Rite 4500, 4700 (discontinued), or 4900 Deadlatch or cylindrical lockset with 1/2" [12.7 mm] to 5/8" [15.9 mm] latchbolt projection. Electrical actuation unlocks the keeper, releasing the latchbolt so the door may be opened without operating the latch itself.

Certifications

UL 1034 burglary-resistant listed

UL 294 listed



LISTED



Grade 1



Burglary Listed



Electrified Product

Features

Case

1" x 3-3/8" x 1-5/8" deep
[25.4 mm x 85.7 mm x 41.3 mm deep].

Strike Opening

5/8" x 1-7/16" x 1/2" deep
[15.9 mm x 36.5 mm x 12.7 mm deep].
Bolt retaining keeper is stainless steel.
Strike accepts bolt of any Adams Rite 4500, 4700 (discontinued), or 4900 Deadlatch or cylindrical latches.

Strike Lip

Basic strike has lip of proper length for 1-3/4" [44.5 mm] thick door that closes flush with jamb edge. Where door thickness or jamb shape differs from this standard relationship, lip extension kits are available, specified by last dash number.

- Lip extension kits not available on 7101 or 7131.

Latchbolt Projection

1/2" to 5/8" [12.7 mm to 15.9 mm]

Faceplate

Available in a variety of architectural finishes. Faceplates are also available sold separately.

7100	1-1/4" x 4-7/8" [31.8 mm x 123.8 mm]	Flat with radius corners
7101	1-1/4" x 4-7/8" [31.8 mm x 123.8 mm]	Radiused to match nose on inactive leaf in a pair of narrow stile doors.
7110	1-7/16" x 7-15/16" [36.5 mm x 201.6 mm]	Flat with radius corners
7111	1-7/16" x 10-1/4" [36.5 mm x 260.4 mm]	Flat with radius corners
7130	1-1/4" x 6-7/8" [31.8 mm x 174.6 mm]	Flat with radius corners
7131	1-1/4" x 6-7/8" [31.8 mm x 174.6 mm]	Radiused to match nose on inactive leaf in a pair of narrow stile doors
7140	1-1/4" x 4-7/8" [31.8 mm x 123.8 mm]	Flat with square corners

7130/7131: Large 6-7/8" faceplate is designed to cover strike opening when converting from an MS® pivoted-bolt deadlock to deadlatch.

Standard Package

Individually boxed with mounting screws, mounting clips, adhesive shims to accommodate jamb or stile extrusion thickness greater or less than nominal 1/8" [3.2 mm].

7140 Includes mounting clips and adhesive shims for use where welded tabs are omitted.

Shipping Weight

2 lbs [0.91 kg].

Electrical

Voltage

Available in 12, 16, or 24 Volt AC and DC. DC continuous units are silent, AC intermittent units "buzz" on operation.

Current Draw

0.33 A at 12 VDC	1.42 A at 12 VAC
0.22 A at 16 VDC	0.63 A at 16 VAC
0.17A at 24 VDC	0.74 A at 24 VAC

Fail Safe | Fail Secure

Field selectable at time of installation. However, AC intermittent solenoid must not be used continuously in either.

Options

- Available with two Form 'C' monitoring switches to indicate when the latchbolt is engaged in the strike and whether the strike jaw is blocked. Not available on 7130/7131, 7140.
- Lip extension kits for various dimensions of door centerline to jamb edge; for flat faceplates only. Not available on 7101 or 7131.
- **Modular Packaging**
Match one strike body kit with one faceplate kit to make a complete electric strike. Faceplate kits contain all hardware to mount electric strike. Please contact factory or sales representative for details.

Related Products

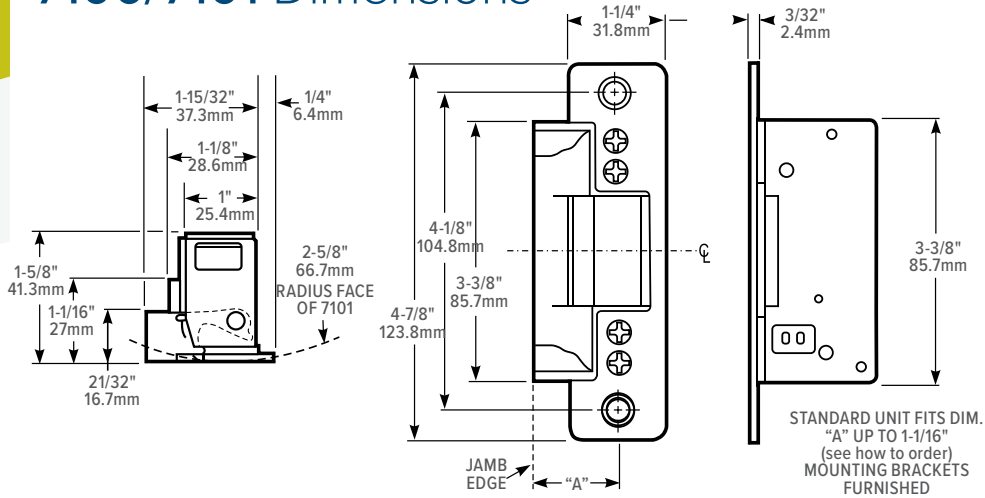
7100/7101, 7110/7111, 7130/7131, 7140

When purchasing this product, please consider the following related products, available separately:

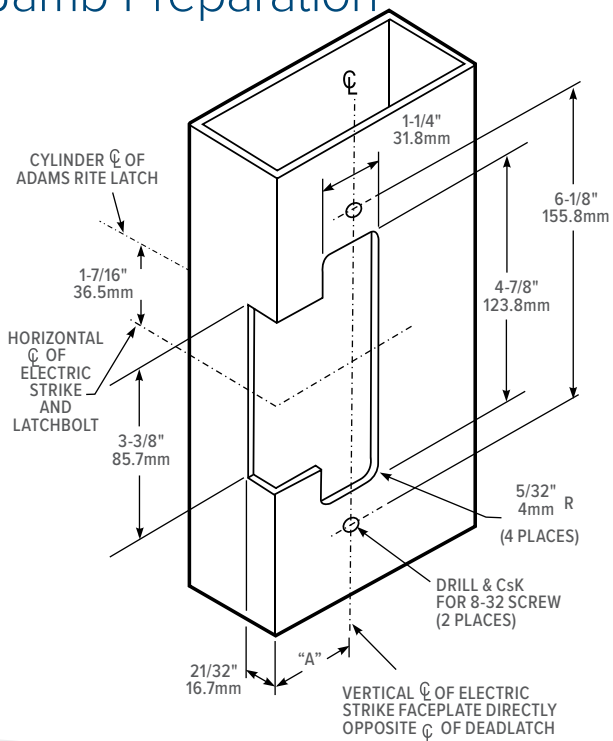
DEADLATCHES	EXIT DEVICES	ACCESSORIES	POWER
4510, 4530, 4900, 4920AN Series Deadlatches	8300, 8400 Mortise Exit Device	Lip Extension Kits, Modular Kits, Monitor Kits, Faceplate Kits	PS-1 Power Supply, 4603 Rectifier, 4605/4606 Transformer, Piezo Horn audible indicator, ElectroLynx connector

All measurements are approximate and are provided for informational purposes only. Refer to the product Installation Instructions.

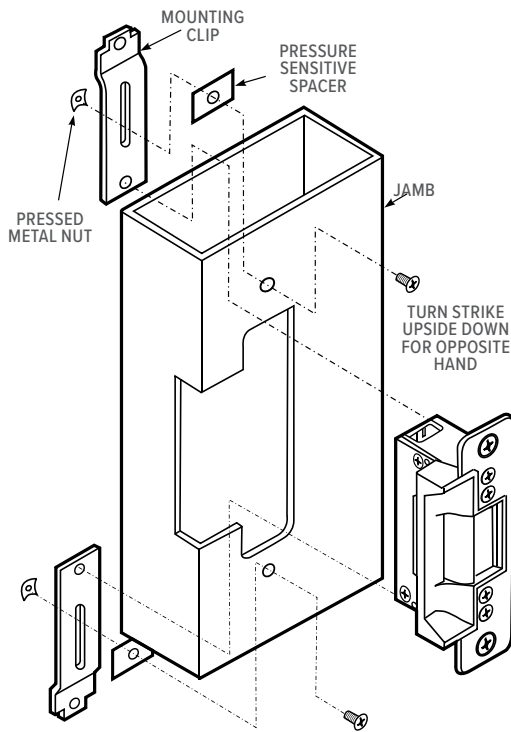
7100/7101 Dimensions



Jamb Preparation



Installation



How to Order

7100/7101 Electric Strikes: Specify quantity and the following information. Order related products separately.

MODEL	FACEPLATE SHAPE	VOLTAGE	CURRENT AND DUTY	FEATURES*	FINISH**	LIP EXTENSIONS (DIM. A)*** (DOOR CENTERLINE TO JAMB EDGE)	
710	0	-3	1	0	-628	-00	
	0 Flat	3 12 Volt	1 DC Continuous or Intermittent	0 Standard/Fail-Secure	313 Dark Bronze Anodized	00 1-1/16" or less	05 2"
	1 Radius	4 16 Volt	4 AC Intermittent	5 Fail-Safe	335 Black Anodized	01 1-1/2"	07 2-1/4"
		5 24 Volt		7 Monitored/ Fail-Safe	626 Satin Chrome	02 1-5/8"	09 2-1/2"
				9 Monitored/ Fail-Secure	628 Clear Anodized	03 1-3/4"	12 2-7/8"

*Fail-secure can be field converted to fail-safe or vice-versa. **7101 available in 313, 335, 628 only. ***Lip Extensions not available on 7101.

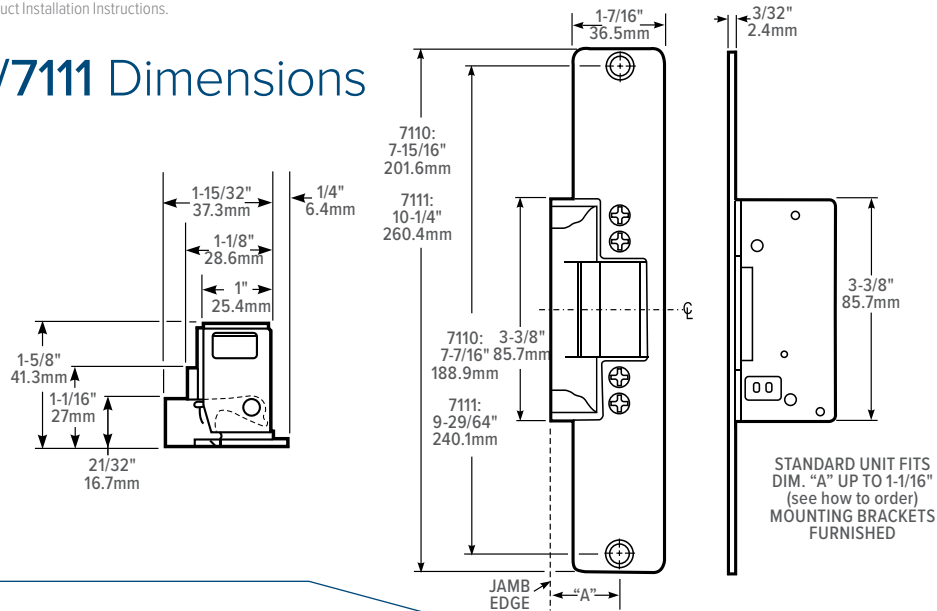


US adamsrite.com | 800.626.7590 | customerservice.adamsrite@assaabloy.com

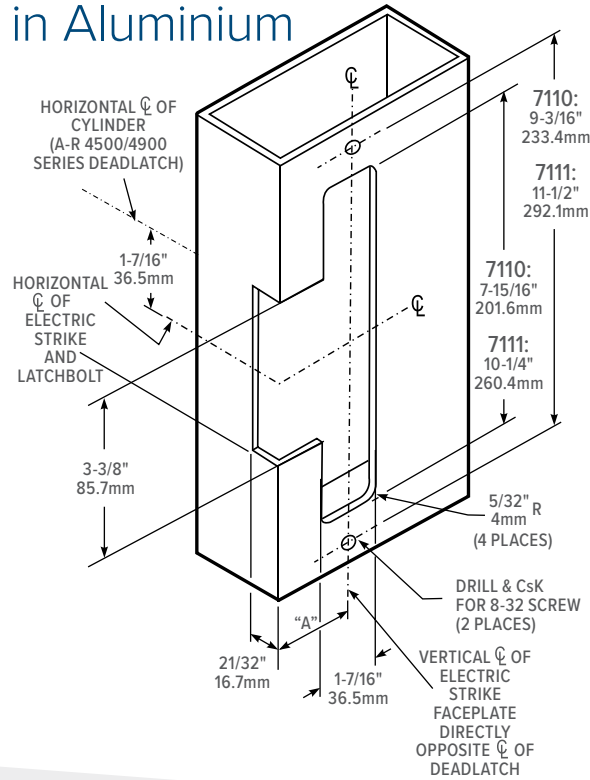
Canada assaabloydss.ca | 800.461.3007 | sales.dss.ca@assaabloy.com

Updated: May 28, 2024

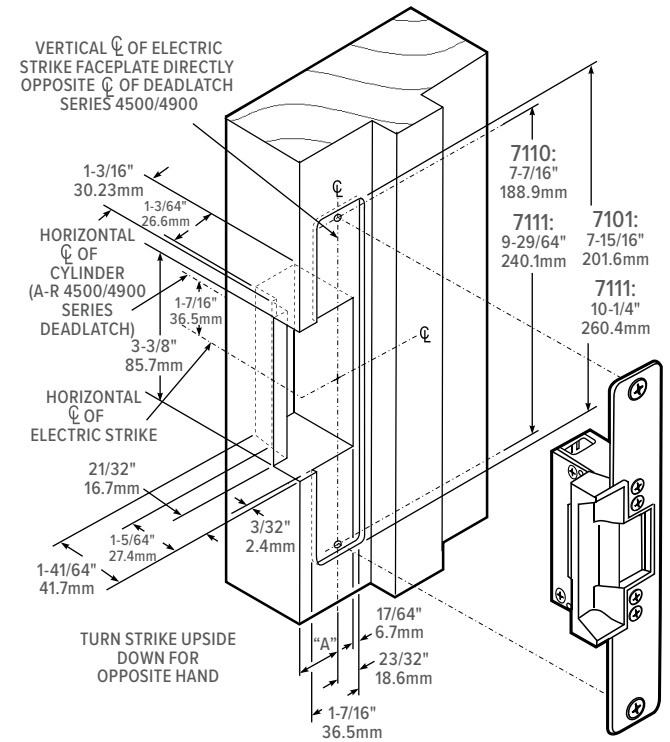
7110/7111 Dimensions



Jamb Preparation in Aluminium



Installation in Wood



How to Order

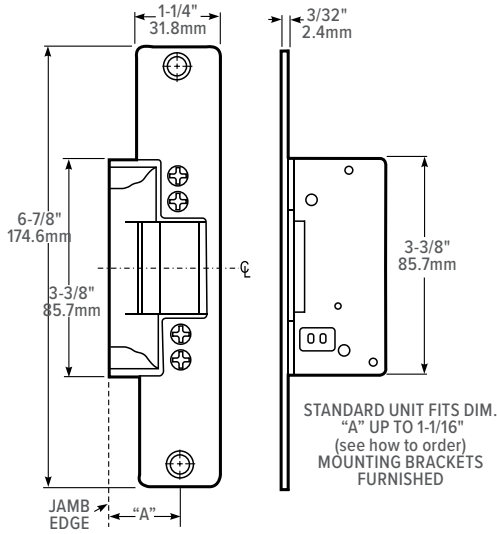
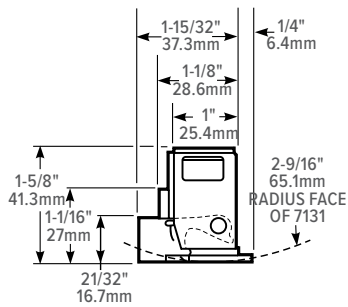
7110/7111 Electric Strikes: Specify quantity and the following information. Order related products separately.

MODEL	FACEPLATE LENGTH	VOLTAGE	CURRENT AND DUTY	FEATURES*	FINISH	LIP EXTENSIONS (DIM. A) (DOOR CENTERLINE TO JAMB EDGE)	
711	0	-3	1	0	-652	-00	
	0 7-15/16"	3 12 Volt	1 DC Continuous or Intermittent	0 Standard/Fail-Secure	652 Satin Chrome	00 1-1/16" or less	05 2"
	1 10-1/4"	4 16 Volt	4 AC Intermittent	5 Fail-Safe		01 1-1/2"	07 2-1/4"
		5 24 Volt		7 Monitored/ Fail-Safe		02 1-5/8"	09 2-1/2"
				9 Monitored/ Fail-Secure		03 1-3/4"	12 2-7/8"

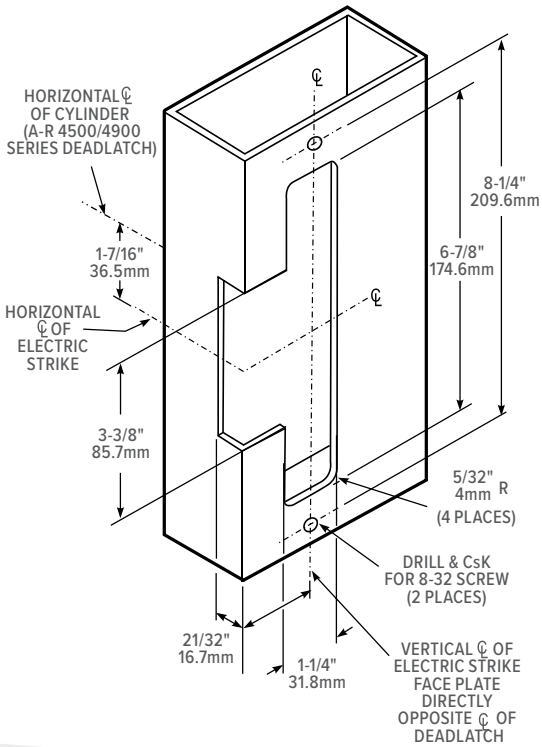
*Fail-secure can be field converted to fail-safe or vice-versa

All measurements are approximate and are provided for informational purposes only. Refer to the product Installation Instructions.

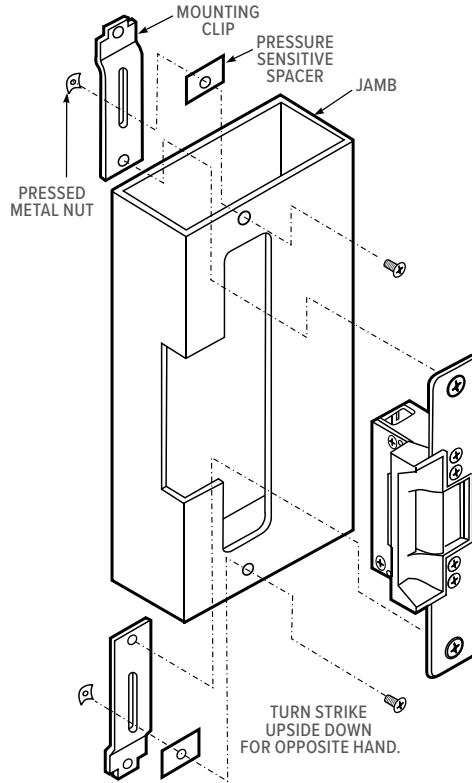
7130/7131 Dimensions



Jamb Preparation



Installation



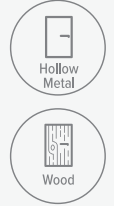
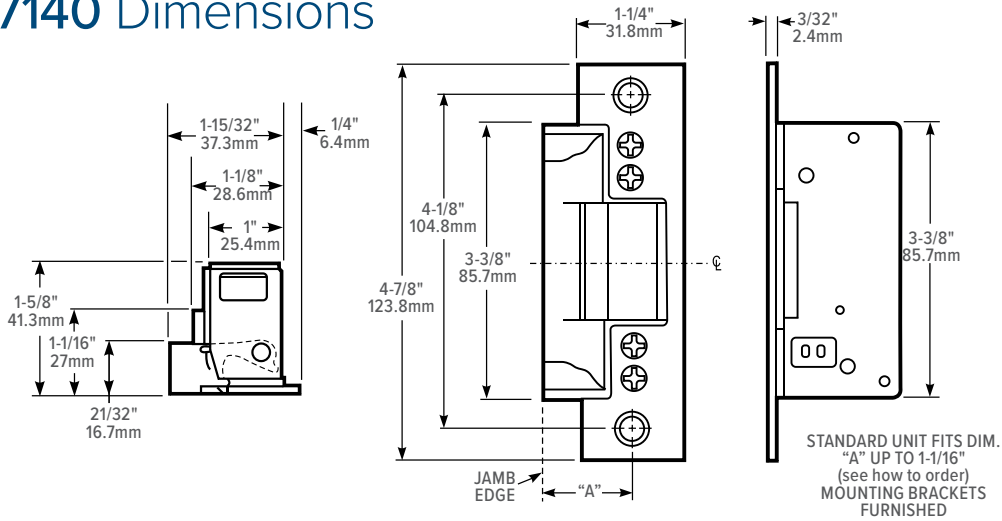
How to Order

7130/7131 Electric Strikes: Specify quantity and the following information. Order related products separately.

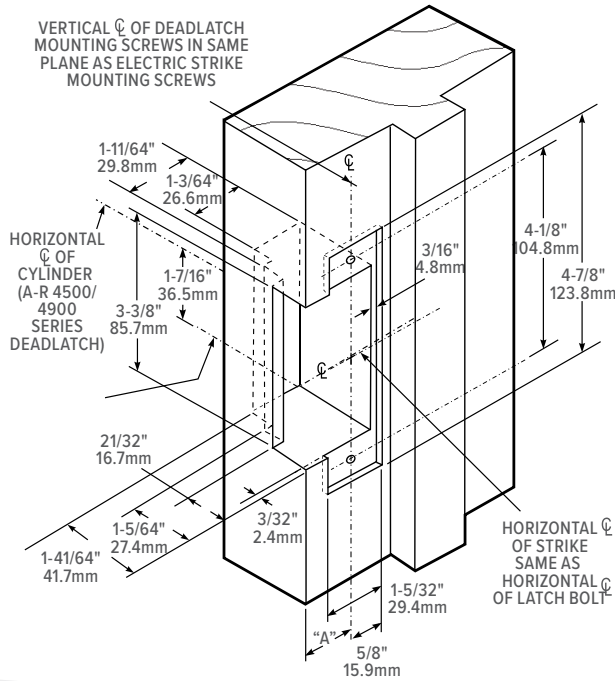
MODEL	FACEPLATE SHAPE	VOLTAGE	CURRENT AND DUTY	FEATURES*	FINISH	LIP EXTENSIONS (DIM. A)** (DOOR CENTERLINE TO JAMB EDGE)	
713	0	-3	1	0	-313	-00	
	0 Flat	3 12 Volt	1 DC Continuous or Intermittent	0 Standard/Fail-Secure	313 Dark Bronze Anodized	00 1-1/16" or less	05 2"
	1 Radius	4 16 Volt	4 AC Intermittent	5 Fail-Safe	335 Black Anodized	01 1-1/2"	07 2-1/4"
		5 24 Volt			628 Clear Anodized	02 1-5/8"	09 2-1/2"
						03 1-3/4"	12 2-7/8"

*Fail-secure can be field converted to fail-safe or vice-versa. **Lip Extensions not available on 7131.

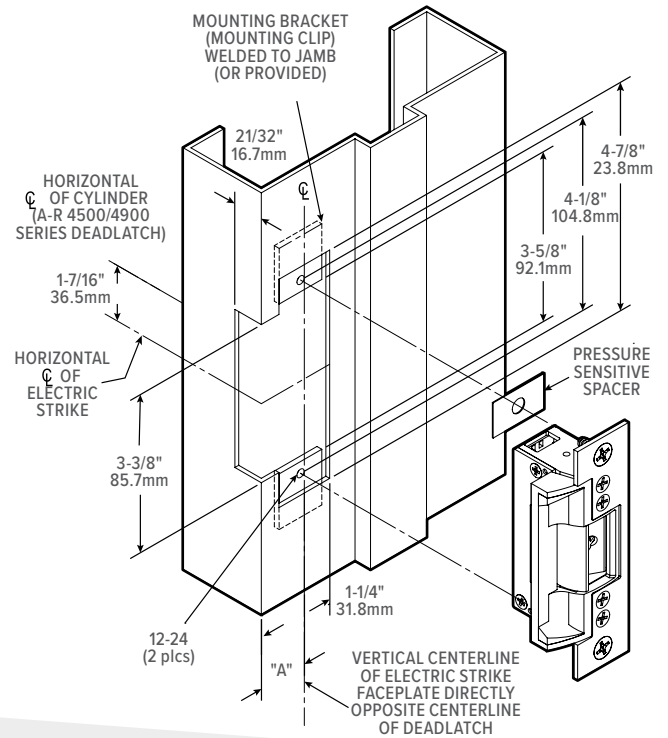
7140 Dimensions



Jamb Preparation in Wood



Jamb Preparation & Installation in Steel



How to Order

7140 Electric Strike: Specify quantity and the following information. Order related products separately.

MODEL	VOLTAGE	CURRENT AND DUTY	FEATURES*	FINISH	LIP EXTENSIONS (DIM. A) (DOOR CENTERLINE TO JAMB EDGE)
7140	-3	1	0	-628	-00
	3 12 Volt	1 DC Continuous or Intermittent	0 Standard/Fail-Secure	313 Dark Bronze Anodized	00 1-1/16" or less
	4 16 Volt	4 AC Intermittent	5 Fail-Safe	335 Black Anodized	01 1-1/2"
	5 24 Volt			626 Satin Chrome	02 1-5/8"
				628 Clear Anodized	03 1-3/4"
					05 2"
					07 2-1/4"
					09 2-1/2"
					12 2-7/8"

*Fail-secure can be field converted to fail-safe or vice-versa

7160, 7170

Electric Strikes for Mortise or Cylindrical Locks

7160, 7170 Electric Strikes with 4-7/8" [123.8 mm] faceplates are designed for use with mortise or cylindrical type locksets with up to 3/4" [19.1 mm] latchbolt projection without deadbolt.

7160 Electric Strikes are for use in aluminum applications. **7170 Electric Strikes** are for use in hollow metal or wood applications.



7160



7170



Function

Remote electrical control of narrow stile aluminum doors (**7160**) or hollow metal/wood doors (**7170**) equipped with a mortise or cylindrical lockset with up to 3/4" [19.1 mm] latchbolt projection without deadbolt. Electrical actuation unlocks the keeper, releasing the latchbolt so the door may be opened without operating the latch itself. The electric strike must be positioned to accommodate offset mortise latches during installation. Please refer to installation instructions or contact factory for more information.

Certifications

UL 1034 burglary-resistant listed

UL 294 listed

Features

Case

1" x 3-3/8" x 1-7/8" deep
[25.4 mm x 85.7 mm x 47.6 mm].

Strike Opening

Bolt retaining keeper is stainless steel.
Strike location must be centered on latchbolt.

7160: 3/4" x 1-7/16" x 5/8" deep
[19.1 mm x 36.5 mm x 15.9 mm deep].

7170: 5/8" x 1-7/16" x 5/8" deep
[15.9 mm x 36.5 mm x 15.9 mm deep].

Strike Lip

Basic strike has lip of proper length for 1-3/4" [44.5 mm] thick door that closes flush with jamb edge. Where door thickness or jamb shape differs from this standard relationship, lip extension kits are available, specified by last dash number.

Latchbolt Projection

3/4" [19.1 mm]

Faceplate

1-1/4" x 4-7/8" [31.8 mm x 123.8 mm]. Available in a variety of architectural finishes.

7160: Flat with radius corners

7170: Flat with square corners

Standard Package

Individually boxed with mounting screws.

7160 includes mounting clips, adhesive shims to accommodate jamb or stile extrusion thickness greater or less than nominal 1/8" [3.2 mm].

7170 includes mounting clips and adhesive shims for use when welded tabs are omitted.

Shipping weight

2 lbs [0.91 kg].

Electrical

Voltage

Available in 12, 16, or 24 Volt AC and DC. DC continuous units are silent, AC intermittent units "buzz" on operation.

Current Draw

0.33 A at 12 VDC	1.42 A at 12 VAC
0.22 A at 16 VDC	0.63 A at 16 VAC
0.17 A at 24 VDC	0.74 A at 24 VAC

Fail Safe | Fail Secure

Field selectable at time of installation. However, AC intermittent solenoid must not be used continuously in either.

Options

- Available with two Form 'C' monitoring switches to indicate when the latchbolt is engaged in the strike and whether the strike jaw is blocked.
- Lip extension kits for various dimensions of door centerline to jamb edge.
- **Modular Packaging**
Match one strike body kit with one faceplate kit to make a complete electric strike. Faceplate kits contain all hardware to mount electric strike. Please contact factory or sales representative for details.

Product Note

All 3/4" throw latches require 1/8" minimum door gap. Horizontal center line of strike must match line of mortise latchbolt.

How to Order

7160, 7170 Electric Strikes: Specify quantity and the following information. Order related products separately.

MODEL	APPLICATION	VOLTAGE	CURRENT AND DUTY	FEATURES*	FINISH	LIP EXTENSIONS (DIM. A) (DOOR CENTERLINE TO JAMB EDGE)	
71	60	-3	1	0	-628	-00	
	60 Aluminum Jamb	3 12 Volt	1 DC Continuous or Intermittent	0 Standard/Fail-Secure	313 Dark Bronze Anodized	00 1-1/16" or less	05 2"
	70 Hollow Metal, Wood	4 16 Volt	4 AC Intermittent	5 Fail-Safe	335 Black Anodized	01 1-1/2"	07 2-1/4"
		5 24 Volt		7 Monitored/ Fail-Safe	626 Satin Chrome	02 1-5/8"	09 2-1/2"
				9 Monitored/ Fail-Secure	628 Clear Anodized	03 1-3/4"	12 2-7/8"

*Fail-secure can be field converted to fail-safe or vice-versa

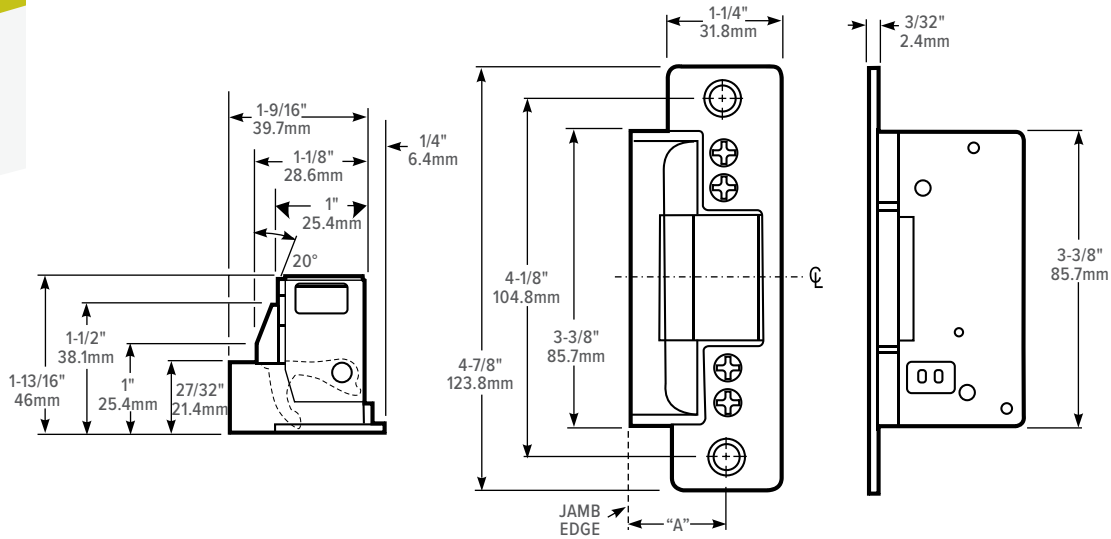
RELATED PRODUCTS

When purchasing this product, please consider the following related products, available separately:

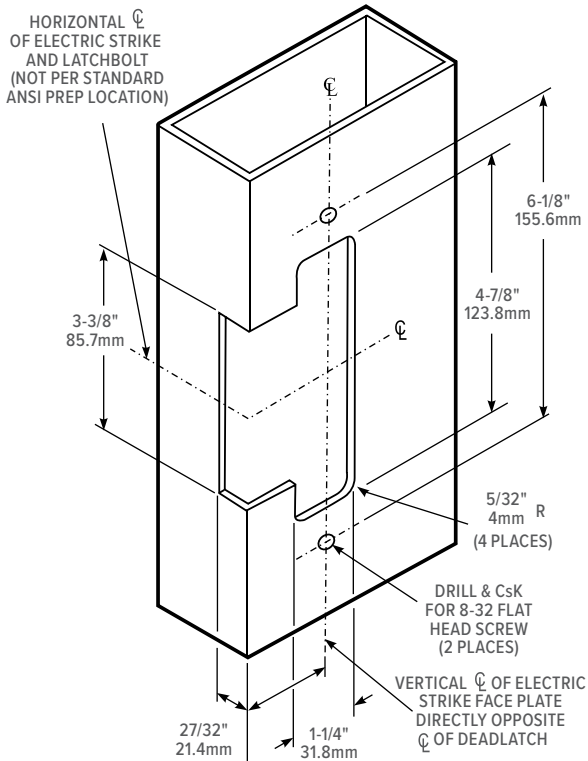
ACCESSORIES	POWER
Lip Extension Kits, Modular Kits, Monitor Kits, Faceplate Kits	PS-1 Power Supply, 4603 Rectifier, 4605/4606 Transformer, Piezo Horn audible indicator, ElectroLynx connector

All measurements are approximate and are provided for informational purposes only. Refer to the product Installation Instructions.

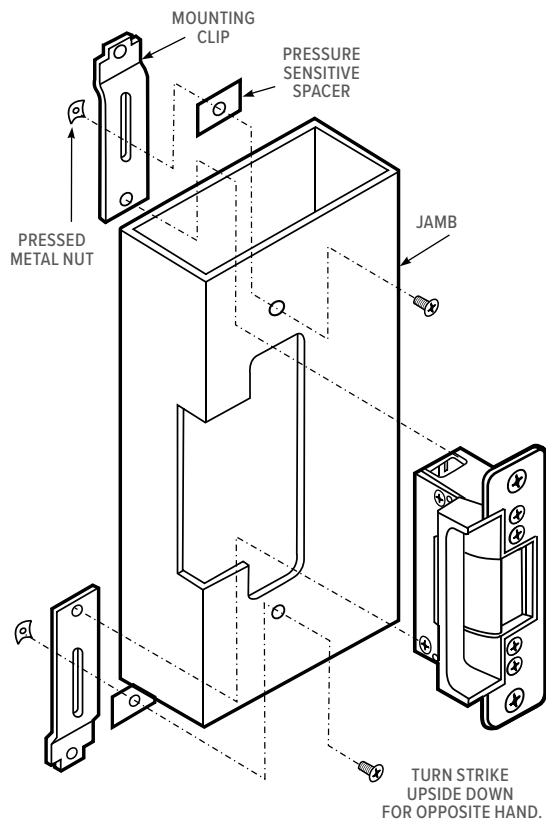
7160 Dimensions



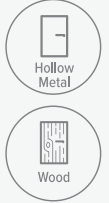
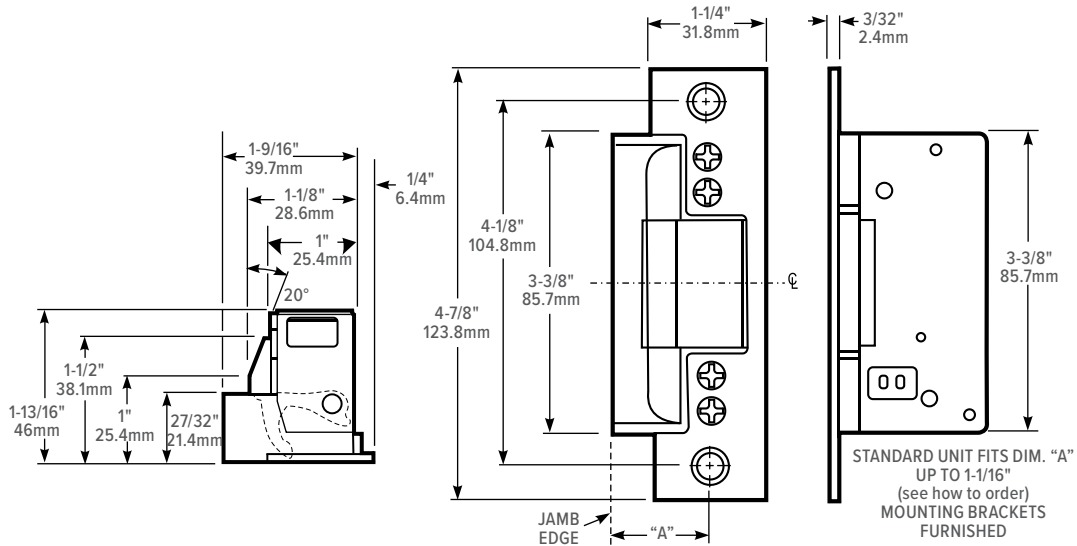
Jamb Preparation



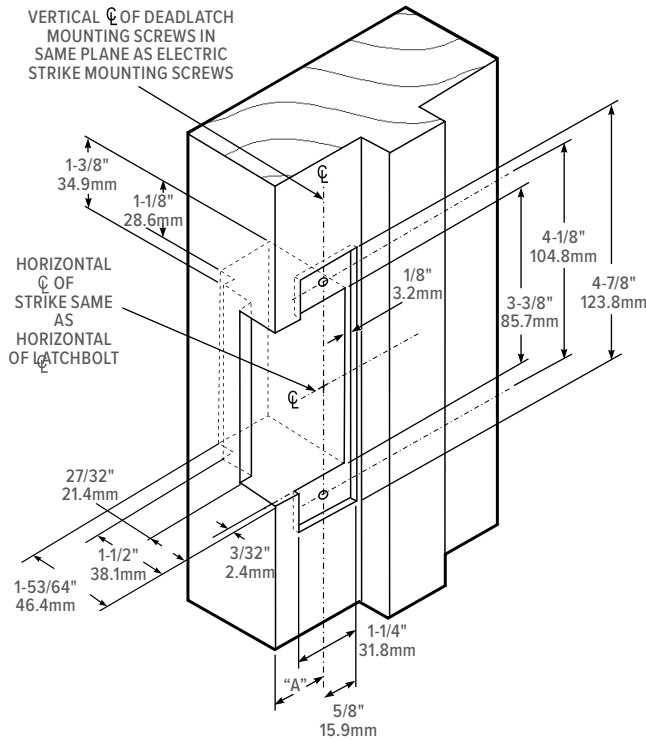
Installation



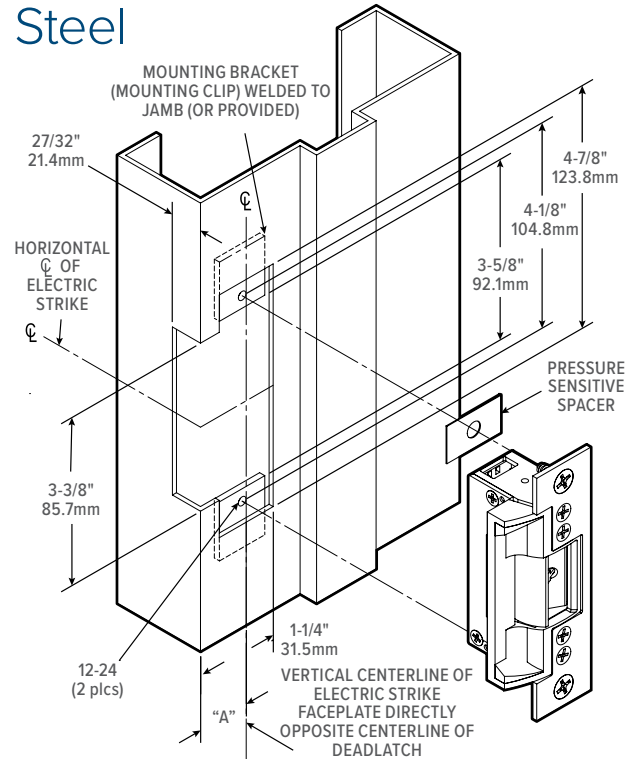
7170 Dimensions



Jamb Preparation in Wood



Jamb Preparation & Installation in Steel



7200 Series

Fire-Rated Electric Strikes



7240



7270



7240 Fire-Rated Electric Strikes with 4-7/8" [123.8 mm] faceplates are designed for cylindrical locksets with up to 5/8" [15.9 mm] latchbolt projection.

7270 Fire-Rated Electric Strikes with 4-7/8" [123.8 mm] faceplates are designed for mortise or cylindrical locksets with up to 3/4" [19.1 mm] latchbolt projection without a deadbolt.

Both models are for use in hollow metal door jambs.

Function

Remote electrical control of hollow metal doors equipped with cylindrical locksets with up to 5/8" [15.9 mm] latchbolt projection (**7240**) or mortise or cylindrical lockset with up to 3/4" [19.1 mm] latchbolt projection (**7270**). Electrical actuation unlocks the keeper, releasing the latchbolt so the door may be opened without operating the latch itself. Fire-rated in fail secure mode only.

Certifications

UL 10C fire rated, 3 hour single door (fail secure only)

CAN/ULC-S104 fire door conformant

Features

Case

7240: 1" x 3-3/8" x 1-5/8" deep
[25.4 mm x 85.7 mm
x 41.3 mm deep]

7270: 1" x 3-3/8" x 1-7/8" deep
[25.4 mm x 85.7 mm
x 47.6 mm deep]

Strike Opening

Bolt retaining keeper and strike lip are stainless steel. Strike accepts bolts from a variety of locksets.

7240: 5/8" x 1-7/16" x 9/16" deep
[15.9 mm x 36.5 mm
x 14.3 mm deep]

7270: 3/4" x 1-7/16" x 5/8" deep
[19.1 mm x 36.5 mm x
15.9 mm deep]

Strike Lip

Basic strike has lip of proper length for 1-3/4" [44.5 mm] thick door that closes flush with jamb edge.

Faceplate

Measures 1-1/4" x 4-7/8" [31.8 mm x 123.8 mm]; flat with square corners

Latchbolt Projection

7240: 5/8" [15.9 mm]

7270: 3/4" [19.1 mm]

Standard Package

Individually boxed with mounting screws. Includes mounting clips and adhesive shims for use where welded tabs are omitted.

Shipping Weight

2 lbs [0.91 kg].

Electrical

Voltage

Available in 12 or 24 Volt AC and DC. DC continuous units are silent, AC intermittent units “buzz” on operation.

Current Draw

0.33 A at 12 VDC 1.42 A at 12 VAC
0.17 A at 24 VDC 0.74 A at 24 VAC

Fail Safe | Fail Secure

Assembled for fail-secure (locked when unpowered) operation.

Options

- Available with two Form ‘C’ monitoring switches to indicate when the latchbolt is engaged in the strike and whether the strike jaw is blocked.
- Available with lip extension kit. Specify when ordering if required.

Product Note

All 3/4" throw latches require 1/8" minimum door gap. Horizontal center line of strike must match line of mortise latchbolt.

How to Order

7240, 7270 Electric Strikes: Specify quantity and the following information. Order related products separately.

MODEL	APPLICATION	VOLTAGE	CURRENT AND DUTY	FEATURES*	FINISH	LIP EXTENSIONS (DIM. A) (DOOR CENTERLINE TO JAMB EDGE FOR INTERIOR FRAMES)
72	40	-3	1	0	-630	-50
	40 Cylindrical Latches	3 12 Volt	1 DC Continuous or Intermittent	0 Fail-Secure	630 Satin Stainless	00 1-1/16" or less
	70 Mortise Latches	5 24 Volt	4 AC Intermittent	9 Monitored/ Fail-Secure		50 1-3/8"

*Not available Fail-Safe

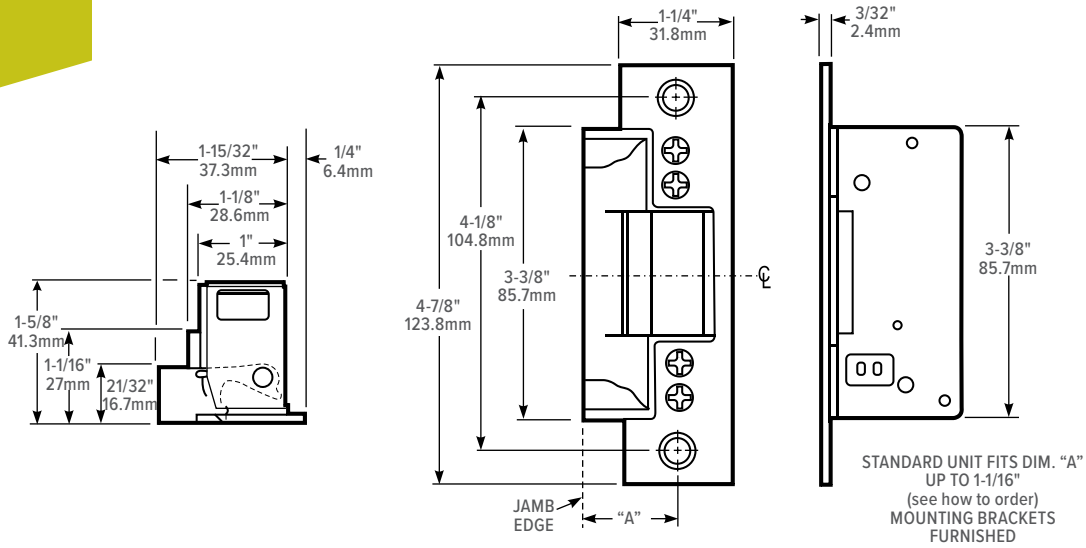
Related Products

When purchasing this product, please consider the following related products, available separately:

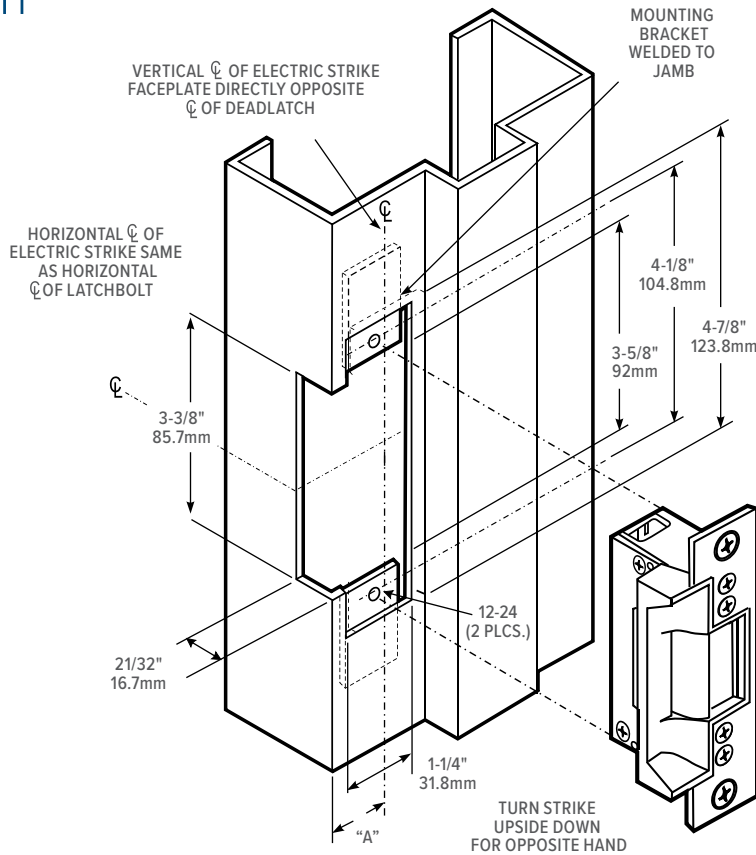
ACCESSORIES	POWER
Lip Extension Kits	PS-1 Power Supply, 4603 Rectifier, 4605/4606 Transformer, Piezo Horn audible indicator, Electrolynx connector

All measurements are approximate and are provided for informational purposes only. Refer to the product Installation Instructions.

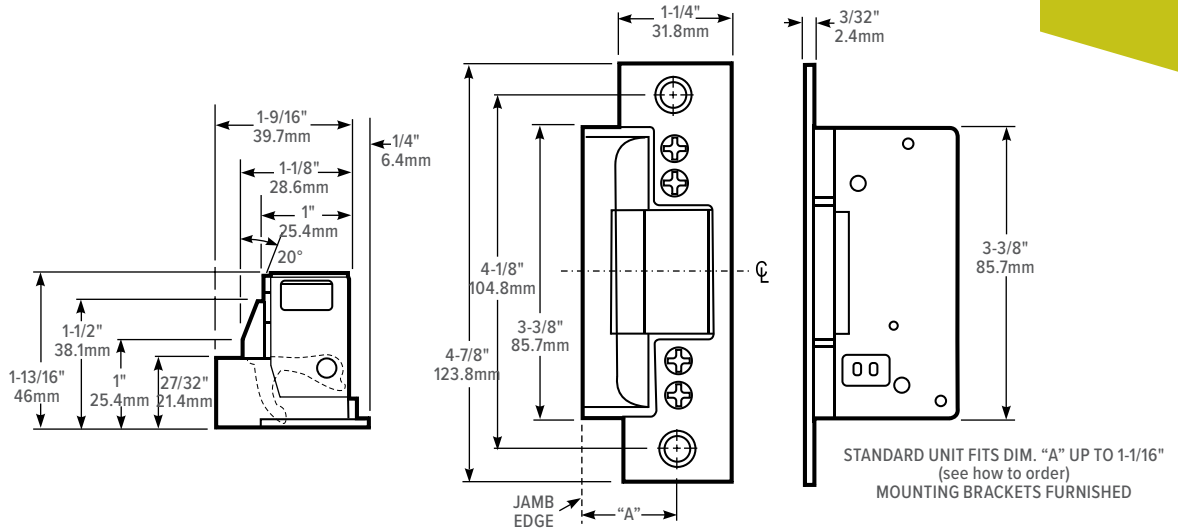
7240 Dimensions



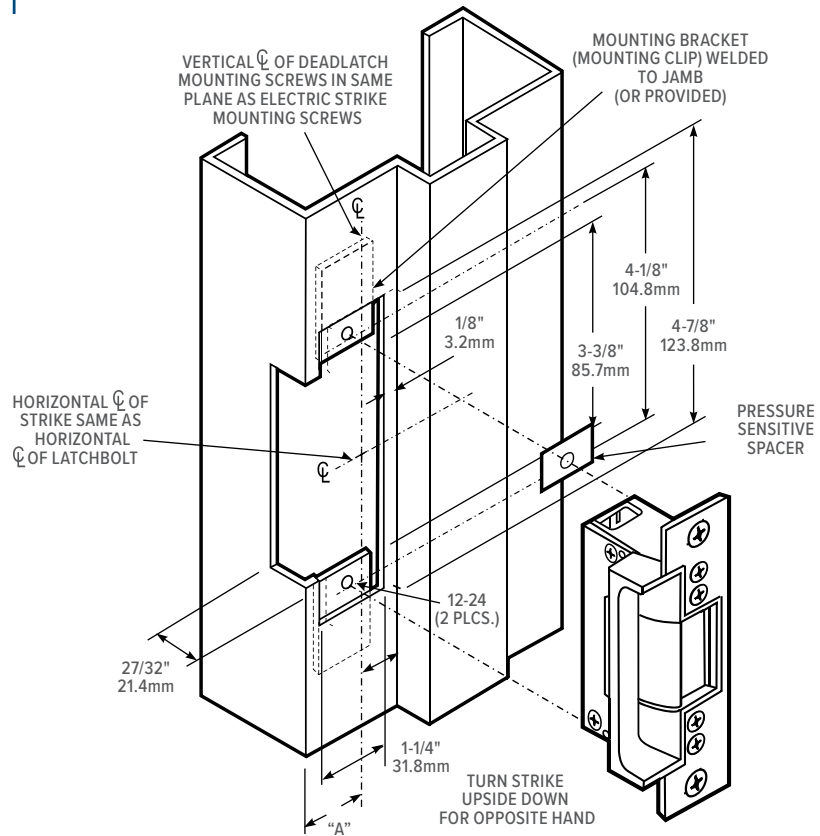
Installation in Steel Jamb



7270 Dimensions



Installation in Steel Jamb



UltraLine® 7400 Series

Electric Strikes for Adams Rite Deadlatches, Cylindrical Locks



7400

7401

Designed for use with Adams Rite deadlatches or cylindrical locksets with 1/2" [12.7 mm] to 5/8" [15.9 mm] latchbolt projection. For use in aluminum, hollow metal, or wood applications.

Open electrically under 25 lbs [11.3 kg] of preload. Preload is pressure exerted on doors by air conditioning systems, warping or misaligned hardware which can disable common electric strikes.

Function

This non-handed strike features an ultra-compact design and adjustable stainless steel keepers with over 1,500 lbs [680.4 kg] of holding force in fail secure mode. The strike releases electrically with up to 25 lbs of door preload. Single solenoid operates on 12/16/24 VDC power.

Remote electrical control of narrow stile aluminum doors equipped with an Adams Rite 4500, 4700 (discontinued), or 4900 Deadlatch or cylindrical lockset with 1/2" [12.7 mm] to 5/8" [15.9 mm] latchbolt projection. Electrical actuation unlocks the keeper, releasing the latchbolt so the door may be opened without operating the latch itself.



7410

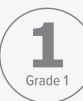
7411

7430



7431

7440



Certifications

UL 1034 Burglary-Resistant Listed and Suitable for Outdoor Use

UL 294

ULC-S319

ANSI/BHMA A156.18

ANSI/BHMA A156.31 Electric Strikes and Frame Mounted Actuators, Grade 1

Features

Case

1-13/32" x 3-3/8" x 1-1/16" deep
[35.7 mm x 85.7 mm x 27 mm deep]

Strike Lip

Basic 7400 strike has lip of proper length for 1-3/4" [44.5 mm] thick door that closes flush with jamb edge. Where door thickness or jamb shape differs from this standard relationship, lip extension kits are available.

Lip extension kits not available on 7401, 7431

Strike Opening

5/8" adjustable x 1-7/16" x 1/2" deep [15.9 mm adjustable x 36.5 mm x 12.7 mm deep]. Bolt retaining keeper is stainless steel. Strike accepts bolt of Adams Rite 4500, 4700 (discontinued), or 4900 Deadlatch or cylindrical locksets.

Latchbolt Projection

1/2" to 5/8" [12.7 mm to 15.9 mm]

Preload

7400 Series Electric Strikes open electrically under 25 lbs [11.3 kg] of preload. Preload is pressure exerted on doors by air conditioning systems, warping or misaligned hardware which can disable common electric strikes.

Using jaw inserts of various sizes, the Ultraline 7400 Series electric strikes are adjustable to compensate for door and frame related preload and security problems.

Faceplate

Available in a variety of architectural finishes. Faceplates are also available sold separately.

7400	1-1/4" x 4-7/8" [31.8 mm x 123.8 mm]	Flat with radius corners
7401	1-1/4" x 4-7/8" [31.8 mm x 123.8 mm]	Radiused to match nose on inactive leaf in a pair of narrow stile doors.
7410	1-7/16" x 7-15/16" [36.5 mm x 201.6 mm]	Flat with radius corners
7411	1-7/16" x 10-1/4" [36.5 mm x 260.4 mm]	Flat with radius corners
7430	1-1/4" x 6-7/8" [31.8 mm x 174.6 mm]	Flat with radius corners
7431	1-1/4" x 6-7/8" [31.8 mm x 174.6 mm]	Radiused to match nose on inactive leaf in a pair of narrow stile doors
7440	1-1/4" x 4-7/8" [31.8 mm x 123.8 mm]	Flat with square corners

7430/7431: Large 6-7/8" faceplate is designed to cover strike opening when converting from an MS® pivoted-bolt deadlock to deadlatch.

Standard Package

Individually boxed with mounting screws, mounting tabs, adhesive shims to accommodate jamb or stile extrusion thickness greater or less than nominal 1/8" [3.2 mm], an adjustable keeper shim pack and two plug-in voltage adapters for 12/24 VDC.

Shipping Weight

2 lbs [0.91 kg].

Electrical

Voltage

Field selectable to match power source of 12/24 VDC. VA7400-16VDC voltage adapter required when using 16 VDC power, available separately. Equipped with a quick connect plug-in type connector.

Current Draw

.44 A at 12 VDC

.46 A at 16 VDC*

.23 A at 24 VDC

*Requires 16 DC adapter (P/N VA7400-16VDC)

Fail Safe | Fail Secure

Field selectable fail safe/fail secure

Options

- Available with two Form 'C' monitoring switches to indicate when the latchbolt is engaged in the strike jaws and a locked/unlocked solenoid status.
- Lip extension kits for various dimensions of door centerline to jamb edge; for flat faceplates only.
- **Modular Packaging**
Match one strike body kit with one faceplate kit to make a complete electric strike. Faceplate kits contain all hardware to mount electric strike. Please contact factory or sales representative for details.
- **ELX-ElectroLynx® Adapter**
Connects Adams Rite electrified products to ElectroLynx system.
- **16 VDC Adapter**
VA7400-16VDC required when using 16 VDC Power
- **Wood Door Cover**
WDC7400 for use when mounting the 7400 Series Electric Strike on the inactive leaf of a pair of doors. The cover simplifies the mortise prep.

Related Products

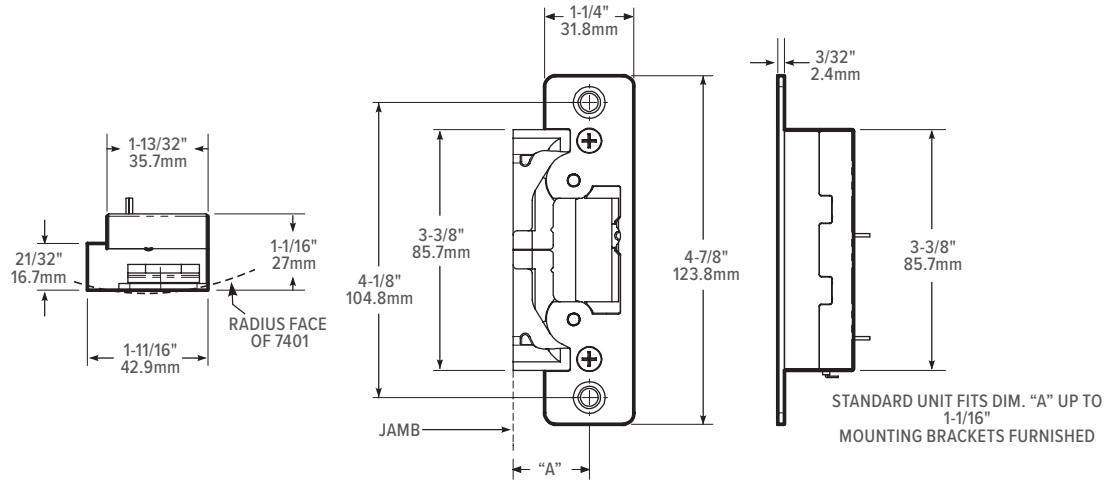
7400/7401, 7410/7411, 7430/7431, 7440

When purchasing this product, please consider the following related products, available separately:

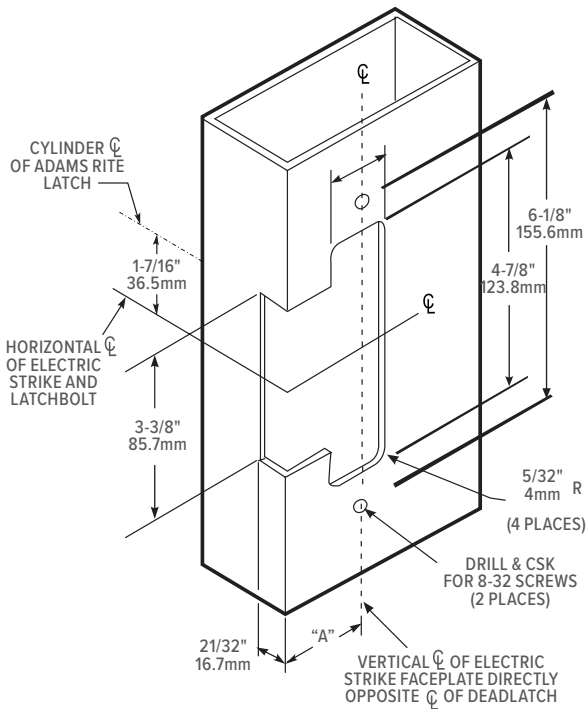
DEADLATCHES	EXIT DEVICES	ACCESSORIES	POWER
4510, 4530, 4900, 4920AN Series Deadlatches	8300, 8400 Mortise Exit Device	Modular Kits, Lip Extension Kits, WDC7400-Wood Door Cover, Faceplate Kits	PS-1 Power Supply, 4603 Rectifier, 4605/4606 Transformer, Piezo Horn audible indicator, ElectroLynx connector, VA7400 Voltage Adapter

All measurements are approximate and are provided for informational purposes only. Refer to the product Installation Instructions.

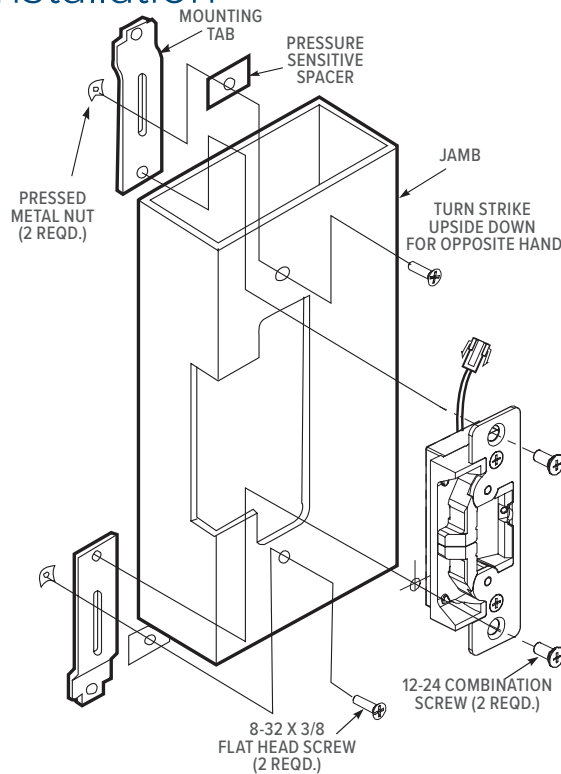
7400/7401 Dimensions



Jamb Preparation



Installation



How to Order

7400/7401 Electric Strikes: Specify quantity and the following information. Order related products separately.

MODEL	FACEPLATE SHAPE	FEATURES*	FINISH		
740	0	M	628		628
	0 Flat	- None	7400 ONLY		7401 ONLY
	1 Radius	M Monitored	313 Dark Bronze Anodized	626 Satin Chrome	119 To match 335 Black Anodized
		A Modular Pack – Body Kit	335 Black Anodized	628 Clear Anodized	121 To match 313 Dark Bronze Anodized
			605 Bright Brass	630 Satin Stainless	130 To match 628 Clear Anodized
			606 Satin Brass		

*Fail-secure can be field converted to fail-safe or vice-versa.



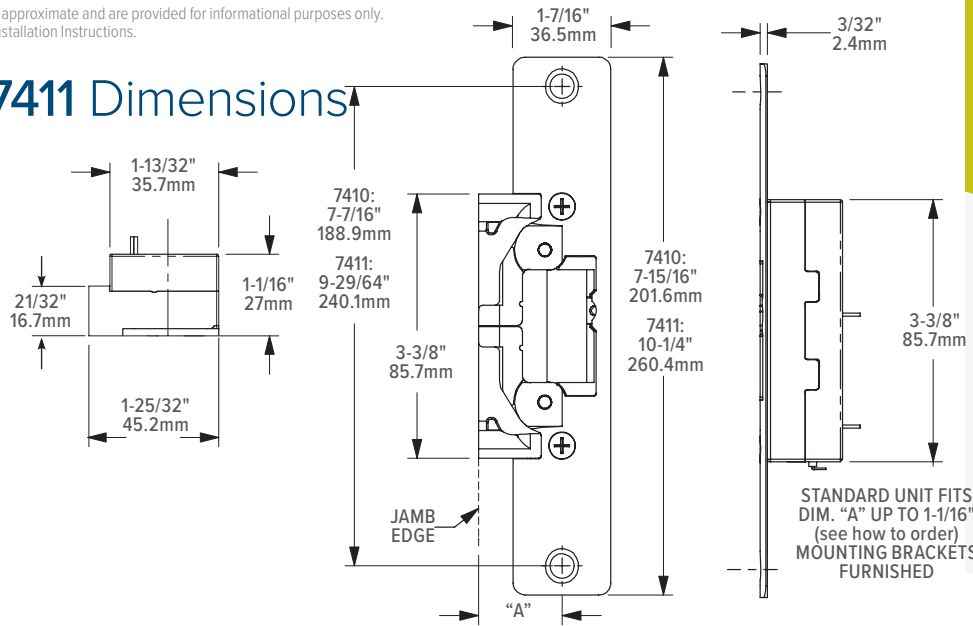
US adamsrite.com | 800.626.7590 | customerservice.adamsrite@assaabloy.com

Canada assaabloydss.ca | 800.461.3007 | sales.dss.ca@assaabloy.com

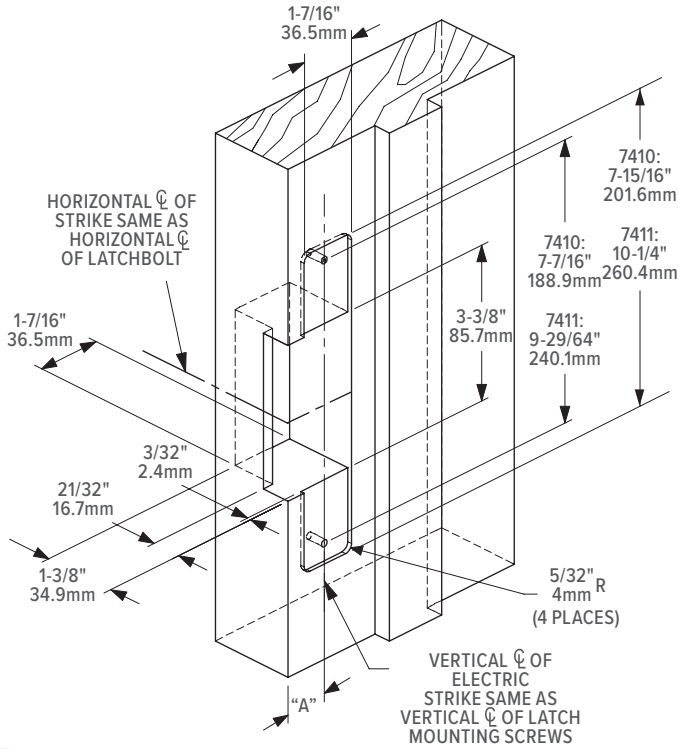
Updated: May 28, 2024

All measurements are approximate and are provided for informational purposes only. Refer to the product Installation Instructions.

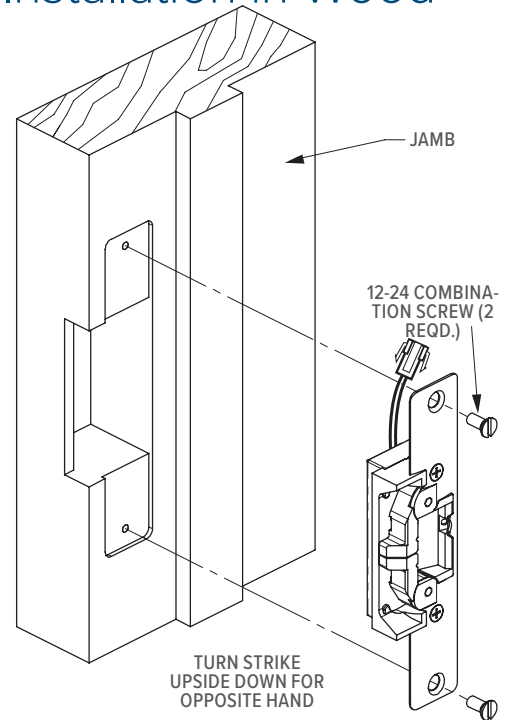
7410/7411 Dimensions



Jamb Preparation



Installation in Wood



How to Order

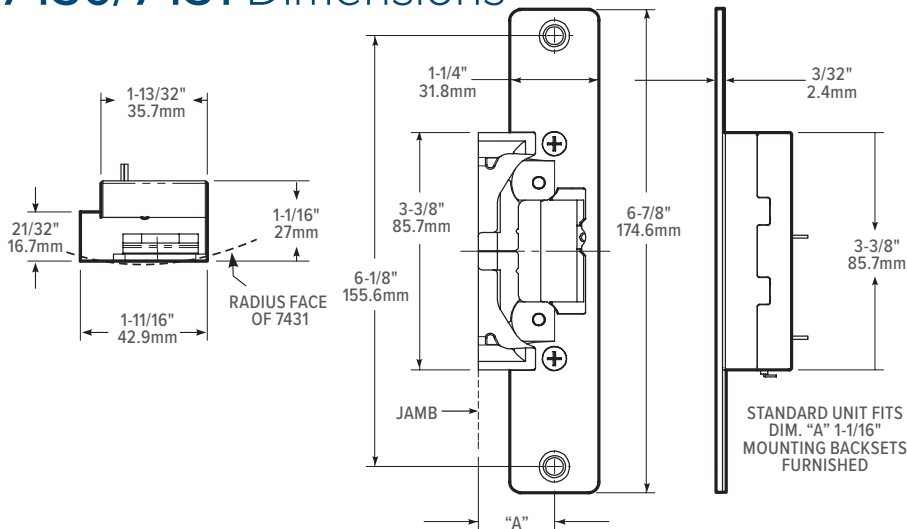
7410/7411 Electric Strikes: Specify quantity and the following information. Order related products separately.

MODEL	FACEPLATE LENGTH	FEATURES*	FINISH
741	0	-	628
	0 7-15/16"	- None	313 Dark Bronze Anodized
	1 10-1/4"	M Monitored	335 Black Anodized
			628 Clear Anodized
			630 Satin Stainless

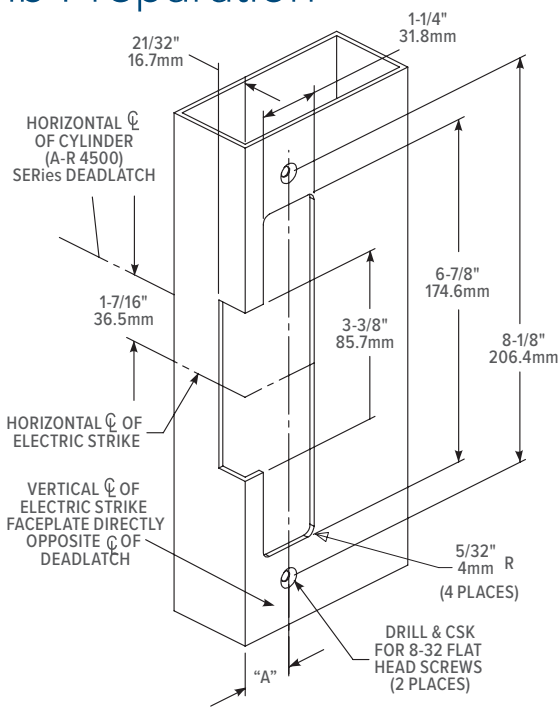
*Fail-secure can be field converted to fail-safe or vice-versa.

All measurements are approximate and are provided for informational purposes only. Refer to the product Installation Instructions.

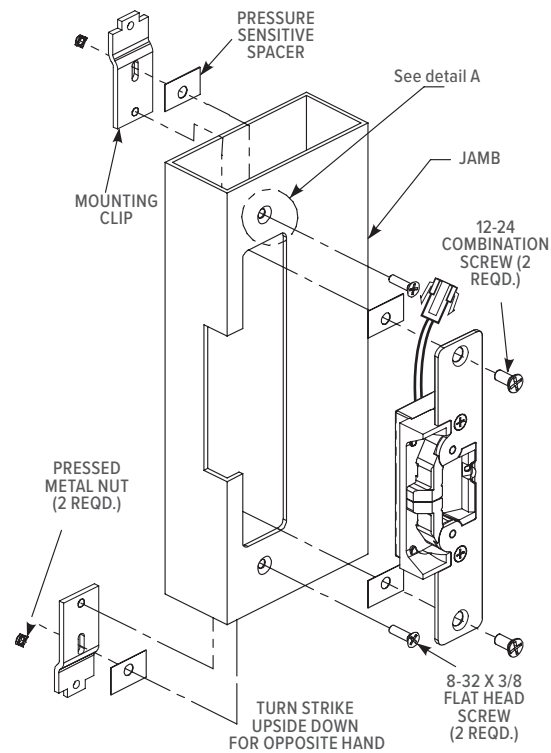
7430/7431 Dimensions



Jamb Preparation



Installation



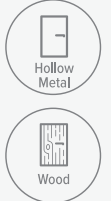
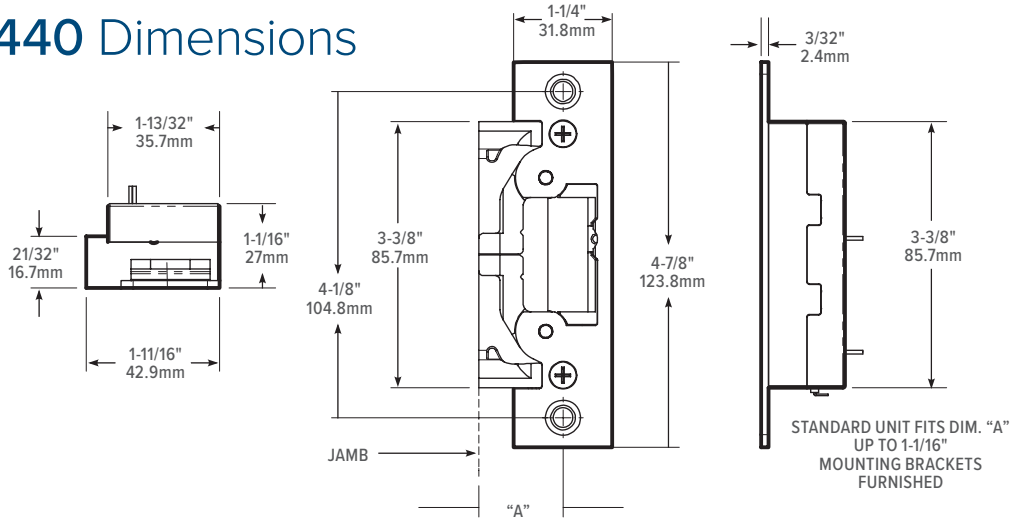
How to Order

7430/7431 Electric Strikes: Specify quantity and the following information. Order related products separately.

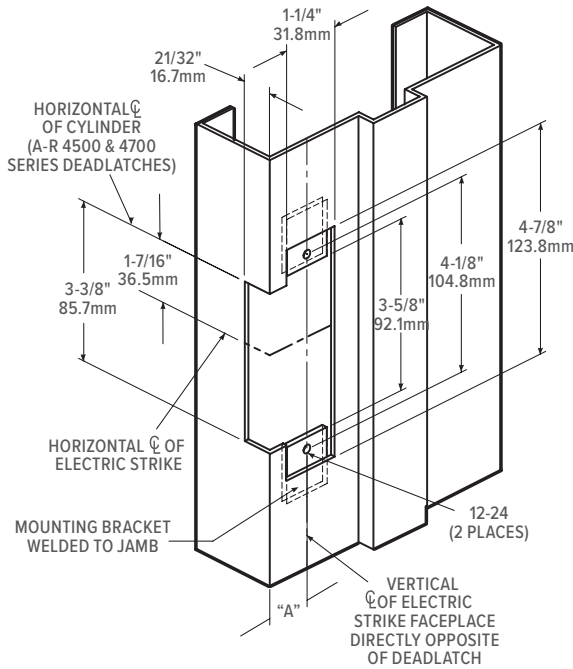
MODEL	FACEPLATE SHAPE	FEATURES*	FINISH	
743	0	M	628	
	0 Flat	- None	7430 ONLY	7431 ONLY
	1 Radius	M Monitored	313 Dark Bronze Anodized	119 To match 313 Dark Bronze Anodized
			335 Black Anodized	121 To match 335 Black Anodized
			628 Clear Anodized	119 To match 628 Clear Anodized

*Fail-secure can be field converted to fail-safe or vice-versa.

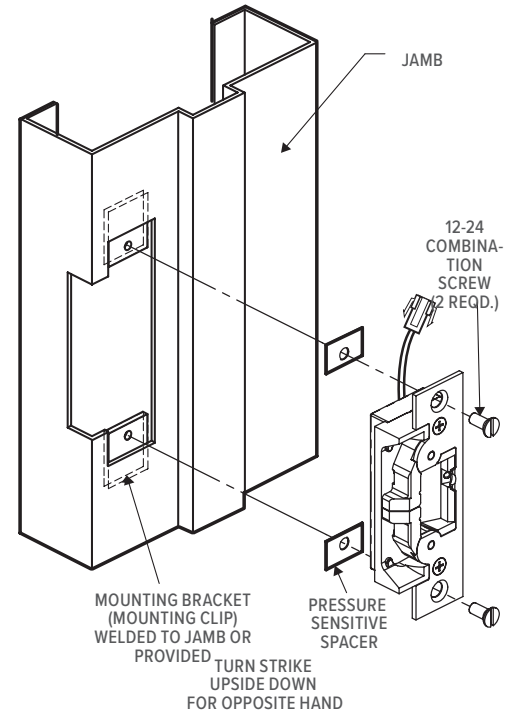
7440 Dimensions



Jamb Preparation in Steel



Installation in Steel



Installation in wood requires WDC7400. See Options & Accessories for more information.

How to Order

7440 Electric Strike: Specify quantity and the following information. Order related products separately.

MODEL	FEATURES*	FINISH	
7440	M	628	
	- None	313 Dark Bronze Anodized	628 Clear Anodized
	M Monitored	335 Black Anodized	629 Bright Stainless
		605 Bright Brass	630 Satin Stainless
		606 Satin Brass	

*Fail-secure can be field converted to fail-safe or vice-versa.

UltraLine® 74R1, 74R2

Electric Strikes for Rim Exit Devices with Pullman Type Latchbolts



74R1



74R2



74R1 Electric Strike is designed for rim exit devices with 3/4" [19.1 mm] Pullman latchbolts. For use in aluminum, hollow metal or wood applications.

74R2 Electric Strike is designed for narrow stile rim exit devices with 1/2" [12.7 mm] Pullman latchbolts. Designed for use in aluminum applications.

Open electrically under 25 lbs [11.3 kg] of preload. Preload is pressure exerted on doors by air conditioning systems, warping or misaligned hardware which can disable common electric strikes.

Function

These non-handed strikes feature an ultra-compact design and adjustable stainless steel keepers with over 1,500 lbs [680.4 kg] of holding force in fail secure mode. The strikes release electrically with up to 25 lbs of door preload. Single solenoid operates on 12/16/24 VDC power. Provides electrical remote control, allowing door to open without actuation of the exit device.

Certifications

UL 1034 Burglary-Resistant Listed and Suitable for Outdoor Use

UL 294
ULC-S319
ANSI/BHMA A156.18

ANSI/BHMA A156.31
Electric Strikes and Frame Mounted Actuators, Grade 1

Features

Case

74R1: 1-13/32" x 3-3/8" x 1-1/16" deep [35.7 mm x 85.7 mm x 27 mm deep]

74R2: 1-13/32" x 3-3/8" x 1-1/8" deep [35.7 mm x 85.7 mm x 28.6 mm deep]

Strike Opening

Bolt retaining keeper is stainless steel.

74R1: 5/8" x 1-7/16" x 9/16" deep [15.9 mm x 36.5 mm x 14.3 mm deep]. Strike accepts Pullman latch of exit devices without deadlocking bolts.

74R2: 5/8" x 1-7/16" x 1/2" deep [15.9 mm x 36.5 mm x 12.7 mm deep].

Faceplate

Not separate

74R1: 1-3/4" x 9 x 11/16" [44.5 mm x 228.6 mm x 17.5 mm]

74R2: 1-5/8" x 9 x 1/2" [41.3 mm x 228.6 mm x 12.7 mm]

Latchbolt Projection

74R1: 3/4" [19.1 mm]

74R2: 1/2" [12.7 mm]

Standard Package

Individually boxed with mounting plate shims, mounting screws, and installation instructions.

Shipping Weight

2 lbs [0.91 kg].

Electrical

Voltage

Field selectable to match power source of 12/24 VDC. VA7400-16VDC voltage adapter required when using 16 VDC power, available separately. Equipped with a quick connect plug-in type connector.

Current Draw

.44A at 12 VDC

.46A at 16 VDC*

.23A at 24 VDC

*Requires 16 DC adapter (P/N VA7400-16VDC)

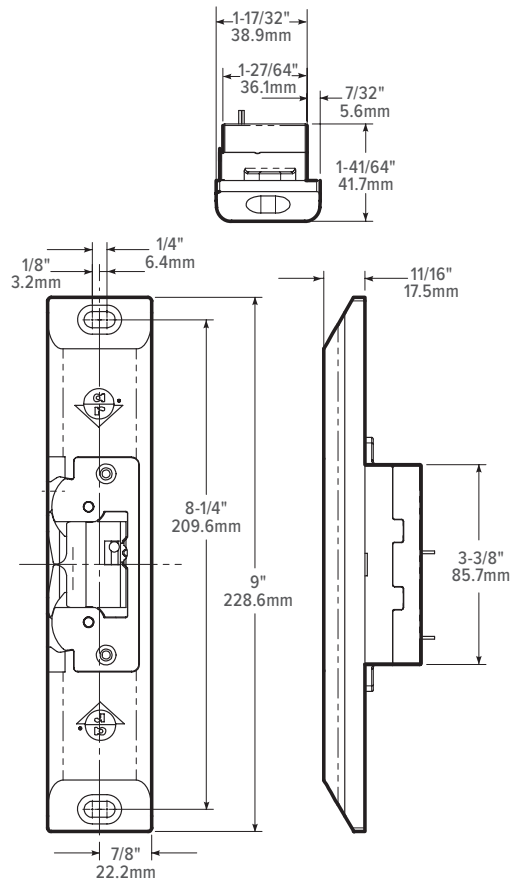
Fail Safe | Fail Secure

Field selectable fail safe/fail secure

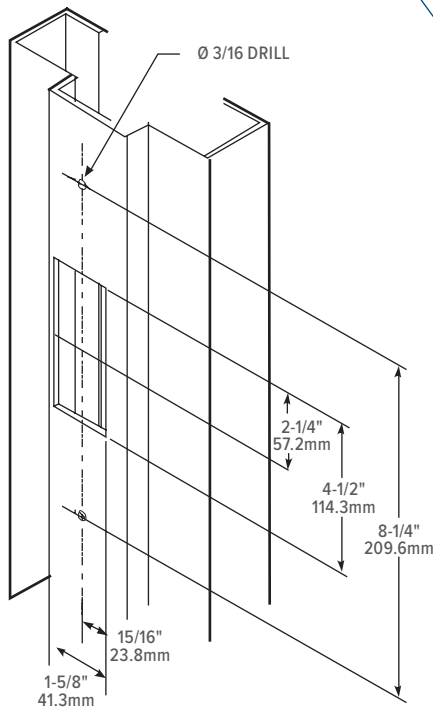
Options

- Available with two Form 'C' monitoring switches to indicate when the latchbolt is engaged in the strike jaws and a locked/unlocked solenoid status.
- **ELX-ElectroLynx® Adapter**
Connects Adams Rite electrified products to ElectroLynx system
- **16 VDC Adapter**
VA7400-16 VDC required when using 16 VDC power

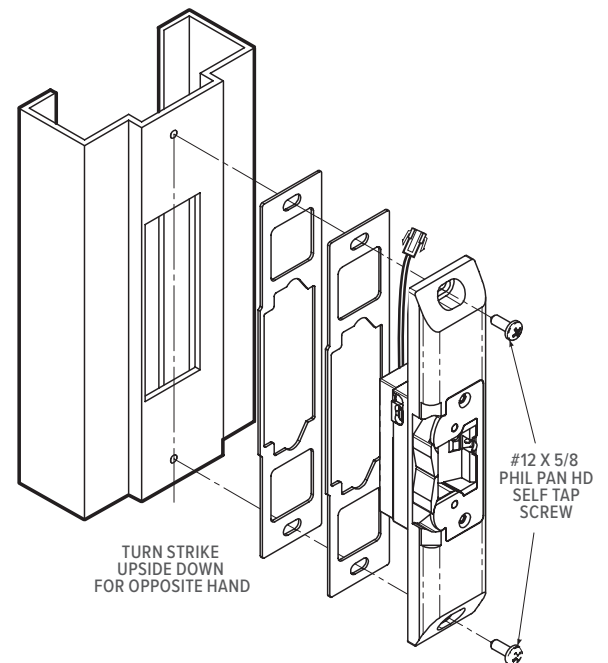
74R1 Dimensions



Jamb Preparation

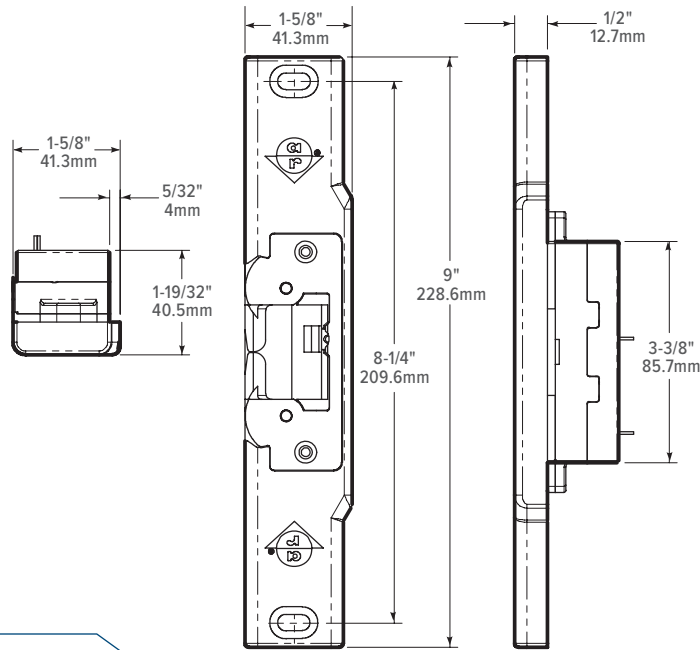


Installation

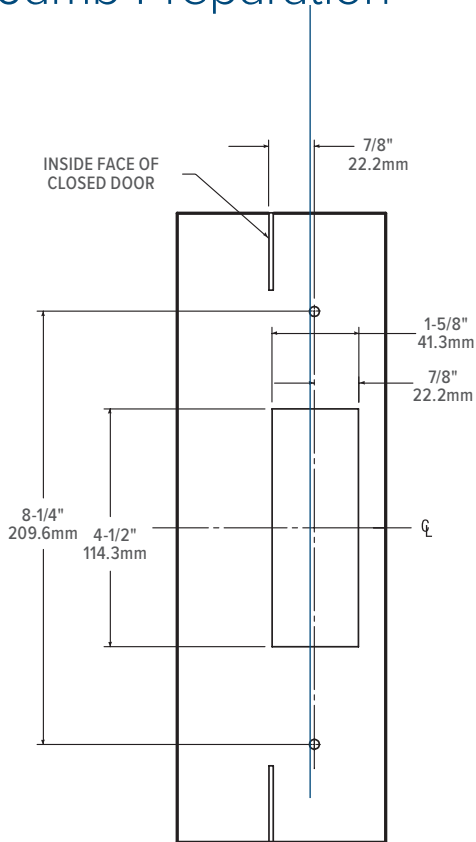


All measurements are approximate and are provided for informational purposes only. Refer to the product Installation Instructions.

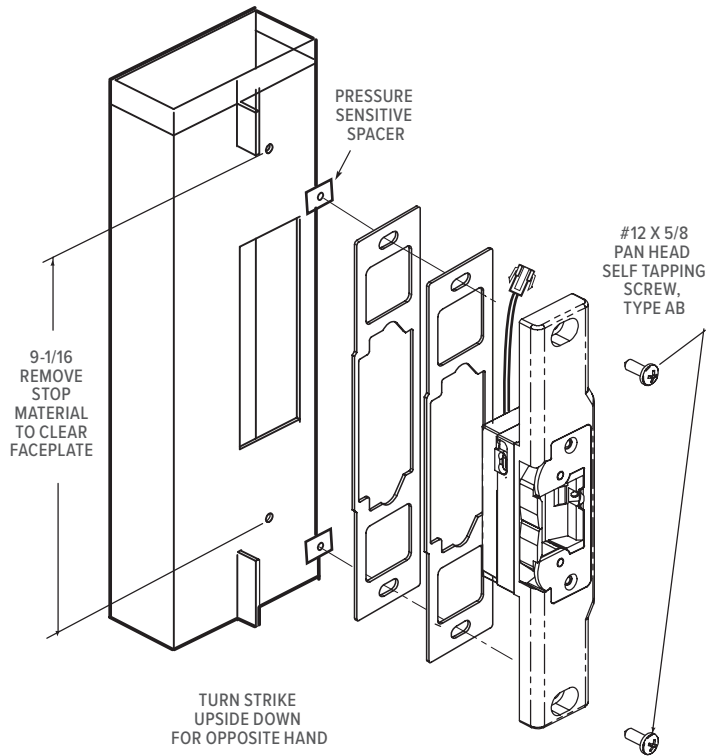
74R2 Dimensions



Jamb Preparation



Installation



How to Order & Related Products

74R1 Electric Strike: Specify quantity and the following information. Order related products separately.

MODEL	FEATURES*	FINISH
74R1	M	-130
	- None	119 To match 335 Black Anodized
	M Monitored	121 To match 313 Dark Bronze Anodized
		130 To match 628 Clear Anodized

*Fail-secure can be field converted to fail-safe or vice-versa.

RELATED PRODUCTS

When purchasing this product, please consider the following related products, available separately:

EXIT DEVICES	POWER
P8800/P8700 Pullman Rim Exit Devices	PS-1 Power Supply, 4603 Rectifier, 4605/4606 Transformer, Piezo Horn audible indicator, ElectroLynx connector, VA7400-16VDC Adapter

How to Order & Related Products

74R2 Electric Strike: Specify quantity and the following information. Order related products separately.

MODEL	FINISH
74R2	-130
	119 To match 335 Black Anodized
	121 To match 313 Dark Bronze Anodized
	130 To match 628 Clear Anodized

*Fail-secure can be field converted to fail-safe or vice-versa.

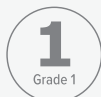
RELATED

When purchasing this product, please consider the following related products, available separately:

POWER
PS-1 Power Supply, 4603 Rectifier, 4605/4606 Transformer, Piezo Horn audible indicator, ElectroLynx connector, VA7400-16VDC Adapter

7800

Electric Strike for Rim Exit Devices with Starwheel/ Interlocking Type Latchbolts



7800 Electric Strike is designed for use with Adams Rite rim exit devices with a Starwheel/Interlocking latchbolt (8700, 8800 Series, EX88). For use in aluminum, hollow metal or wood applications.

Function

This non-handed, low-profile, surface mounted electric strike features an ultra-compact design and adjustable stainless steel keepers with over 1,500 lbs [680.4 kg] of holding force in fail secure mode. Internally mounted dual solenoid operates on 12 or 24 VDC power. Provides electrical remote control, allowing door to open without actuation of the exit device.

Certifications

ANSI/BHMA A156.31, Grade 1

UL 294 listed

RoHS compliant

UL 1034 burglary-resistant listed and suitable for outdoor use

UL 305 Listed

Features

Strike Dimensions

1-13/4" x 9" x 9/16" deep
[44.5 mm x 229 mm x 14.2 mm deep]

Strike Opening

Bolt retaining keeper is stainless steel.

1" x 1-1/2" x 1/2" deep [24.4 mm x 38.1 mm x 12.7 mm deep].

Strike only accepts Starwheel/ Interlocking latching mechanism.

Faceplate

Not separate

1-3/4" x 9-1/64" x 9/16"
[44.5 mm x 229 mm x 14.2 mm deep]

Compatibility

Accommodates Starwheel/ Interlocking latching mechanism of Adams Rite 8700, 8800, EX88 Series Rim Exit Devices.

Standard Package

Individually boxed with 1/16" and 1/8" spacer plates, mounting screws and installation instructions.

- Spacer Plates included to accommodate varying door gaps.
- Screws for wood applications not provided

Shipping

Weight approximately 2 lbs [0.91 kg].

Electrical

Voltage

Field selectable, dual voltage, 12 or 24 VDC.

Current Draw

0.45A at 12 VDC
0.25A at 24 VDC

Fail Safe | Fail Secure

Field selectable fail safe/fail secure

Options & Accessories

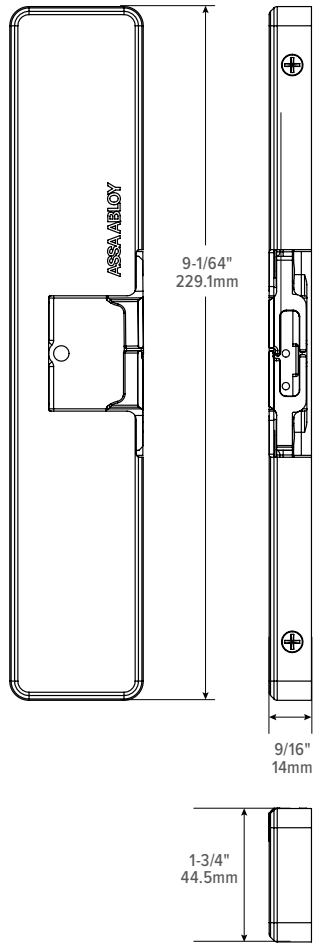
- Ships standard with one 1/16" and 1/8" spacer plate. Units ordered in 613E, 628E, 630, & BSP finishes will be made of stainless steel to match. All other finishes will receive black stainless steel spacers. Additional spacer plates can be ordered separately.
- ELX-ElectroLynx® Adapter: Connects Adams Rite electrified products to ElectroLynx system

All measurements are approximate and are provided for informational purposes only. Refer to the product Installation Instructions.

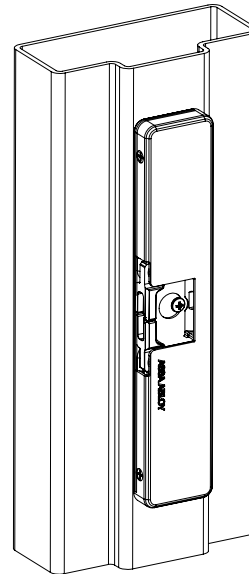
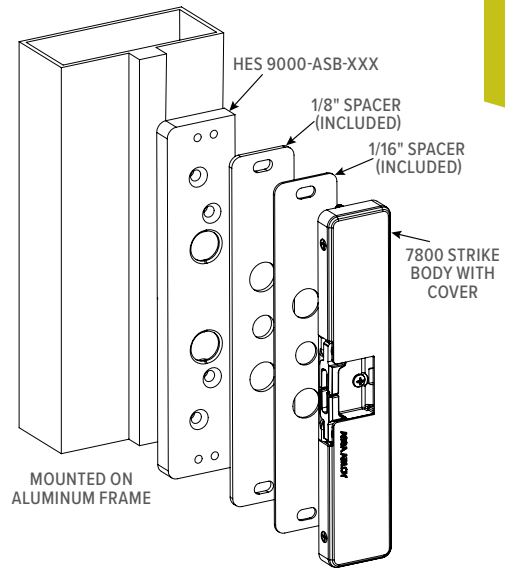
Product Note

Also available as HES 9800 Electric Strike

Dimensions



Installation



Shown with interlocking latchbolt.

How to Order & Related Products

7800 Electric Strike Specify quantity and the following information. Order related products separately.

MODEL	FINISH	
7800	— 630	
	605 Bright Brass	629 Bright Stainless
	606 Satin Brass	630 Satin Stainless
	613E Dark Oxidized Satin Bronze Powder	BSP Black Suede Powder
	628E Satin Aluminum Clear Anodized	

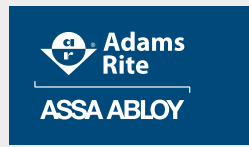
*Fail-secure can be field converted to fail-safe or vice-versa.

RELATED PRODUCTS

When purchasing this product, please consider the following related products, available separately:

OPTIONS & ACCESSORIES	EXIT DEVICES	POWER
7800-116-XXX 1/16" spacer plate, 7800-108-XXX 1/8" spacer plate, HES 9000-MTK Metal Template Kit*, HES 9000-ASB-XXX Aluminum Spacer Bracket*	8700, 8800 Series Rim Exit Devices	4603 Rectifier, 4605/4606 Transformer, Piezo Horn audible indicator, PS-1, ElectroLynx connector, HES 2005M3 SMART Pac III*

*Available from ASSA ABLOY Electronic Security Hardware



Options & Accessories

Lip Extension Kits

7100 Series Electric Strikes

Lip extensions are for center hung doors, thick doors, or other conditions that vary from the "standard" 1-3/4" thick door that closes flush (or near flush) with the jamb face. Specified with electric strike by the last dash number which varies the door centerline to jamb edge dimension in 1/8" increments. For existing 7100 Series Electric Strikes, a thin metal membrane in the standard lip can be drilled or punched out and the lip extension can be added in the field. The dash number for lip extension is the same as door centerline to jamb edge dash number on complete strike.

7100 Lip Extension

LIP EXTENSION PART NUMBER	APPLICABLE ELECTRIC STRIKES
91-0171-01 through -13	7100, 7110, 7111, 7130, 7140
91-0172-01 through -13	7160, 7170

7100 Lip Extension Dimensions

DASH PART NUMBER	DIMENSION 'A' – DOOR CENTERLINE TO JAMB EDGE
-00	1-1/16"
-01	1-1/2"
-02	1-5/8"
-03	1-3/4"
-04	1-7/8"
-05	2"
-06	2-1/8"
-07	2-1/4"
-08	2-3/8"
-09	2-1/2"
-10	2-5/8"
-11	2-3/4"
-12	2-7/8"
-13	3"

1-1/16" or less does not require a lip extension.

Lip extensions for fire-rated 7200 Series Electric Strikes must be factory installed.

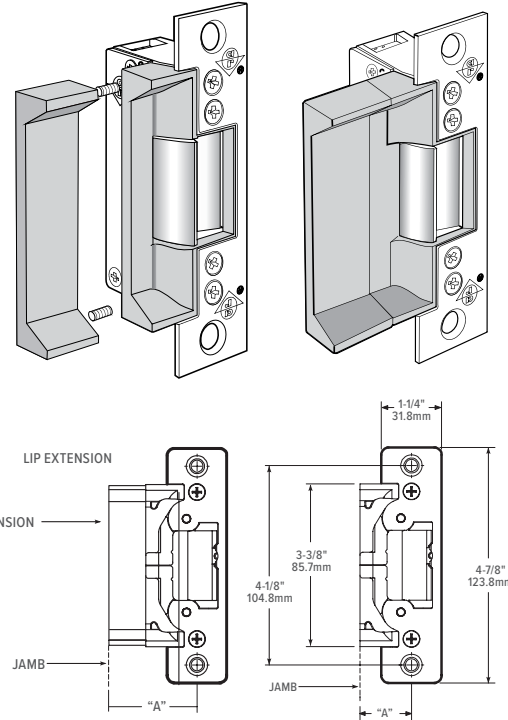
UltraLine 7400 Series Electric Strikes

Lip extensions are for center hung doors, thick doors, or other conditions that vary from the "standard" 1-3/4" thick door that closes flush (or near flush) with the jamb face. Lip extension kits are available in 1/8" increments, for flat faceplates only.

7400 Lip Extension

PART NUMBER	DIMENSION 'A' – DOOR CENTERLINE TO JAMB EDGE
LEK7400-50	1-3/8"
LEK7400-01	1-1/2"
LEK7400-02	1-1/16"
LEK7400-03	1-3/4"
LEK7400-04	1-7/8"
LEK7400-05	2"
LEK7400-06	2-1/8"
LEK7400-07	2-1/4"
LEK7400-08	2-3/8"
LEK7400-09	2-1/2"
LEK7400-10	2-5/8"
LEK7400-11	2-3/4"
LEK7400-12	2-7/8"
LEK7400-13	3"

1-1/16" or less does not require a lip extension



Faceplate Kits

For use with strike body. Faceplate kits contain all hardware to mount electric strike.

7100 Series Electric Strike Components

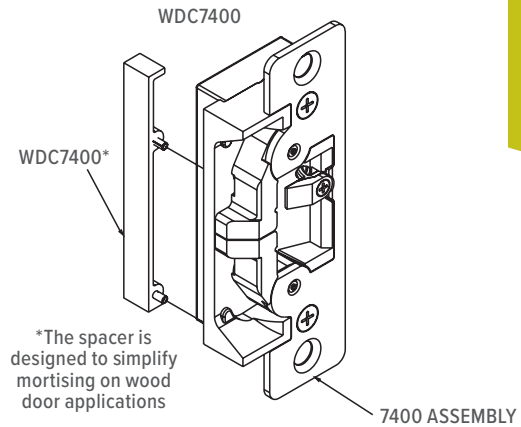
STRIKE BODY KITS	
7103A	For use with 7100/7101, 7110/7111, 7130/7131, 7140
7173A	For use with 7160, 7170
FACEPLATE KITS & FINISHES	
FPK00	For use with body kits: 7103A, 7173A
FPK01	For use with body kit: 7103A
FACEPLATE KITS & FINISHES	
FPK10	For use with body kit: 7103A
FPK11	For use with body kits: 7103A
FACEPLATE KITS & FINISHES	
FPK30	For use with body kit: 7103A
FPK31	For use with body kits: 7103A
FPK40	For use with body kit: 7103A, 7173A
FPK45	For use with body kit: 7103A, for installing electric strike in previous prep, 4901, 4501 strike cover.

7400 UltraLine® Electric Strike Components

STRIKE BODY KITS	
7400A	Standard body, for use in single door applications
7401A	Radius body, for use in applications with pairs of doors
FACEPLATE KITS & FINISHES	
FPK7400	For use with body kit: 7400A
FPK7401	For use with body kit: 7401A
FPK7410	For use with body kit: 7400A
FPK7411	For use with body kit: 7400A, not available in 335 finish
FPK7430	For use with body kit: 7400A
FPK7431	For use with body kit: 7401A
FPK7440	For use with body kit: 7400A
FPK7445	For use with body kit: 7400A, not available in 335 finish. For installing electric strike in previous prep 4901, 4501, strike cover

WDC7400 Wood Door Application

For use with Ultraline 7400 Electric Strikes only, this cover plate is designed to simplify mortising of wood door pairs.

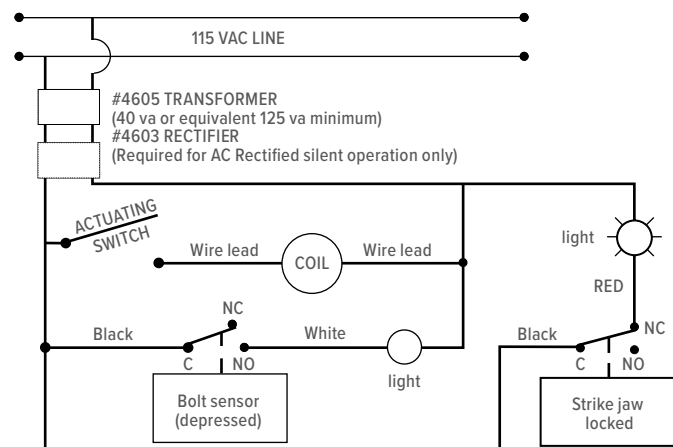


Monitor Switches

If a visual or other signal is required to tell an operator what the electric strike is doing, a "monitoring" strike to switch that signal on and off is required.

This feature utilizes two sensor switches: one is activated by the latchbolt's penetration of the strike and the other by the mechanism that blocks the strike's release.

These switches can also be used to interconnect two strikes in "mantrap" or interlock situations, such as elevator doors. In these cases, power to the solenoid of each strike is controlled by the switch(es) of the other so one will not unlock unless the other is locked. Each switch has both normally open and normally closed leads to they can be wired to either make or break a circuit.



Power

4603 Rectifier

Converts low voltage AC current to DC of same voltage. Installs in low voltage line between transformer and strike. Full wave bridge type. Rated 2 amps (200 PIV).

29-0218 Piezo Horn

Provides for audible indication of when a DC strike is energized. Operates with 12 VDC, 16 VDC, or 24 VDC strikes.

Transformers

- **4605** Converts 120 VAC to 12/24 VAC. Rated 40 Volt-amp output assures plenty of power for strike release.
- **4606** Converts 120 VAC current to 24 VAC. Plugs into standard wall outlet.

PS-1 Power Supply

Provides filtered and regulated voltage output to power electric strikes, magnetic locks, or other access control devices. Output is selectable in the field for 12 or 24 VDC. Charging circuit is built-in for battery backup power with 12 or 24 VDC operation. LED on circuit board indicates power input.



| Trim



1000

Series Turns

The 1000 Series Turns are designed to operate the Adams Rite MS1847 Deadlock and the 5017 Wood Door Deadlock.



Aluminium



Wood

Function

1000 Turns are designed to operate Adams Rite MS[®]1847 Deadlocks and 5017 Wood Door Deadlock. 1000-11 and 1000-21 have a rectangular escutcheon for mounting directly on door. 1000-01 and 1000-02 are without escutcheon, designed for easy push-nut mounting to door pull or other trim plate.

Features

Materials

Turn Lever is zinc alloy. Escutcheon is stainless steel. Trim finish 130 Clear to match 628 Clear Anodized.

Spindles

Hardened steel, plated for corrosion resistance. First dash number in order guide indicates spindle parallel or perpendicular to turn lever (turn drawings below). Second dash number indicates spindle length "L" (see dash table on back).

Turn

1004 Turn has a longer, more ergonomically-friendly turn lever.

1015 Turn is available with 1016 Blank Plate for doors from 5/8" [15.9 mm] to 2-1/4" [57.2 mm] thickness. Without blank plate turn available (for use with cylinder pull) on doors from 7/16" [11.1 mm] to 2" [50.8 mm] thickness.

Standard finish 130 Clear to match 628 Clear Anodized. 1015 Turn for use with 5017 Wood Door Deadlock is specifically designed for wood door applications. 1016 Blank Plate available separately.

Standard Package

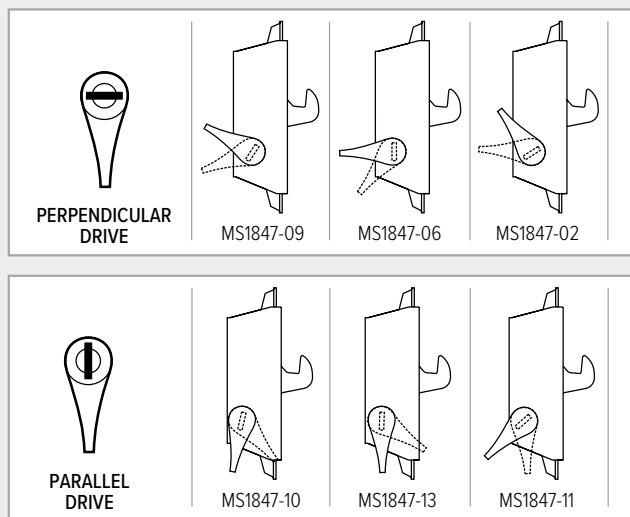
Individually packaged. The -11 and -21 are assembled with escutcheon. The -01 and -02 are unassembled, include turn, spindle, washer and push nut for assembly on the door pull plate.

Shipping weight

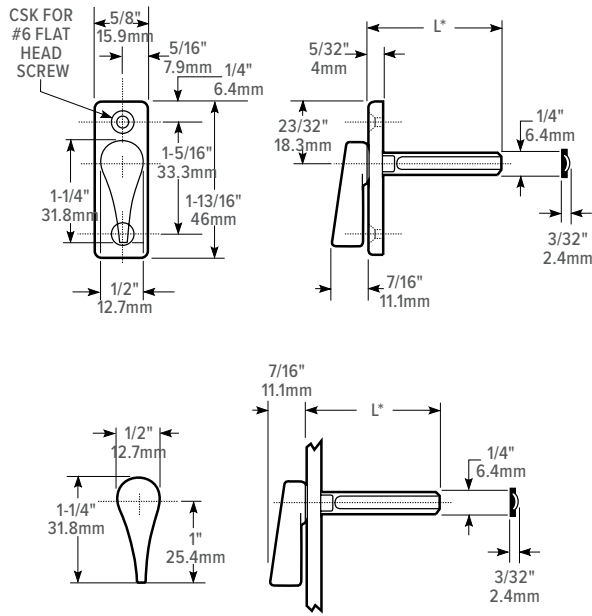
1/4 lb [0.11 kg].

Options

- Choice of turn drive position relates directly to the particular lock hub drive position. Special care in specifying both the proper turn and lock in ordering is recommended.
- Chart below shows turn positions relative to lock hub positions. Broken line indicates direction of travel (45°) to retract bolt.
- The availability of both perpendicular and parallel drives in these turns, coupled with the three hub drive positions of the MS1847 lock, provides several options.

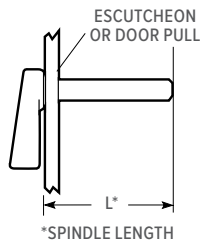
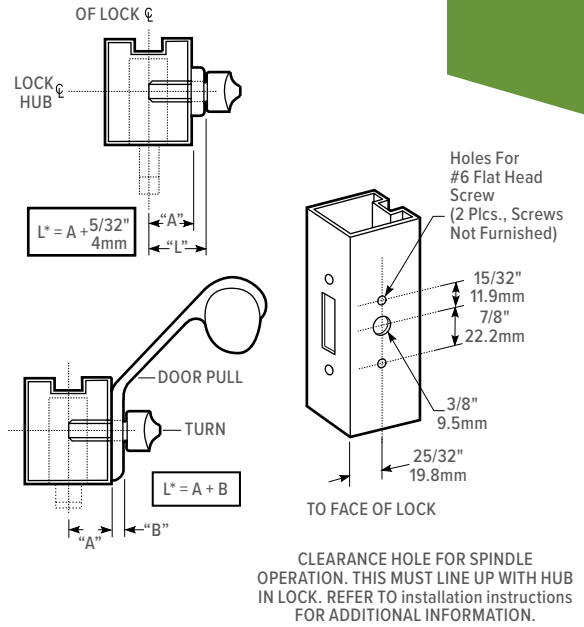


Dimensions



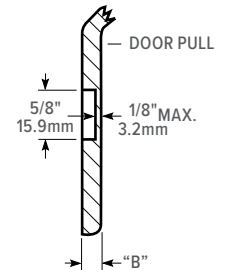
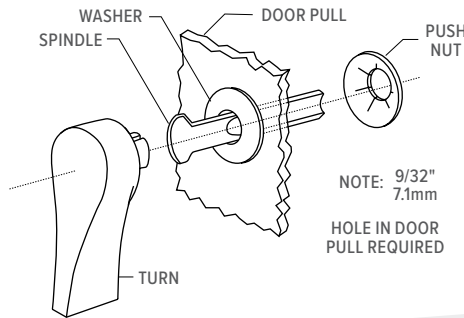
Stile Preparation

Dash -11 or -21



Installation

Dash -01 or -02



IF "B" dimensions exceeds 1/4" c'bore back side as shown to facilitate assembly. c'bore requirement does not affect spindle length determinaion.

How to Order & Compatible Products

1000 Series Turns: Specify quantity and the following information. Order related products separately.

MODEL	TURN TYPE		SPINDLE LENGTH						FINISH					
1000	-21		-14						-130					
	TURN WITHOUT ESCUTCHEON Furnished Unassembled		Dash Chart						119 To match 335 Black Anodized					
		-01 Parallel Drive		-02 Pencicular Drive	No.	"L"	mm	No.		"L"	mm			
		-11 Parallel Drive		-21 Pencicular Drive	-11	17/32	13	-22		1-15/64	31			
	TURN WITH ESCUTCHEON Furnished Assembled		12						39/64	15	-23	1-19/64	33	121 To match 313 Dark Bronze Anodized
		-13	43/64	17	-24	1-23/64	35	-14	47/64	19	-25	1-27/64	36	
		-15	51/64	20	-26	1-31/64	38	-16	55/64	22	-27	1-33/64	39	
		-17	59/64	23	-28	1-39/64	41	-18	63/64	25	-29	1-43/64	42	130 To match 628 Clear Anodized
		-19	1-3/64	26	-30	1-47/64	44	-20	1-7/64	28	-31	1-51/64	46	
		-21	1-11/64	30	-32	1-55/64	47	-21	1-11/64	30	-32	1-55/64	47	

COMPATIBLE PRODUCTS

DEADLOCKS	
MS1847 Deadlock	5017 Wood Door Deadlock

3080

Series Entry Trim

The 3080 Series Entry Trim provides outside activation for doors with any type of Adams Rite exit device and deadlatch. The locked handle is protected from vandalism and forced entry with a breakaway clutching mechanism.

Function

The 3080 Series provides outside activation of doors that have any type of Adams Rite exit device or deadlatch. Breakaway clutching mechanism protects the locked handle from vandalism or forced entry, in either direction. All models share the same core components, so levers can be changed without having to replace the entire trim.

The 3080E Electrified Entry Trim is a continuous duty solenoid operated device that will allow the lever handle to be turned to unlatch the exit device when power is applied. When there is no power input, the handle is locked in place and the exit device remains latched. This electrified entry trim works with a card reader, keypad or a push button and is designed for entry door, stairwell and fire door applications.



Aluminium

Hollow
Metal

Wood

Electrified
Option

Features

Handle

The 3080-01, -02, and -03 levers are designed to return within 1/2" [12.7 mm] of the door face. The designer levers in this series do not have this same feature. Please verify local code requirements to ensure compliance.

Mortise Cylinder

May be ordered with or without a hole for standard 1" [25.4 mm] length, 1-5/32" [29.4 mm] diameter cylinder with MS® Cam, available separately. See Cylinders & Accessories section for more cylinder information.

Standard Package

Individually boxed with mounting hardware.

Shipping weight

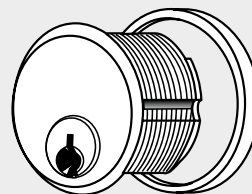
3 lbs [1.36 kg].

Options







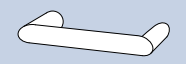




- Can be ordered with or without a hole for cylinder. Order standard mortise cylinder with MS® cam separately.
- Tactile strip available as a kitted option for standard levers 01 and 03. Order Tactile Strip Kit 91-0118 separately.
- Order 4603 Rectifier, 4605/4606 Transformer or PS-1 Power Supply separately.
- Available in choice of US3 (605) Bright brass, US4 (606) Satin brass, 10B powder coat to match dark bronze, US32 (629) Bright stainless, or US32D (630) Satin stainless.

Product Note

Adams Rite recommends that for optimal security the 3080 and 3080E Series Entry Trim is used in conjunction with Medeco high security cylinders, when a cylinder is required by the application.

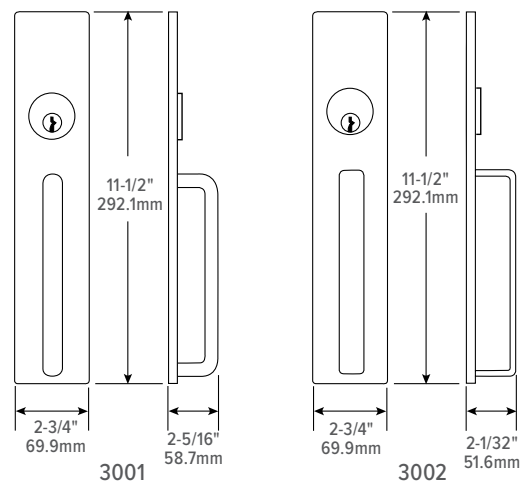


Options & Accessories

	OPTION	DESCRIPTION
	Standard Series 01	Standard lever, curved
	Standard Series 02	Standard lever, round
	Standard Series 03	Standard lever, square
	Aventura Series ME	Studio Collection designer lever
	Aventura Series MG	Studio Collection designer lever
	Aventura Series MI	Studio Collection designer lever
	Aventura Series MW	Studio Collection designer lever
	Centro Series MD	Studio Collection designer lever
	Centro Series MJ	Studio Collection designer lever
	Odeon Series MN	Studio Collection designer lever
	Odeon Series MV	Studio Collection designer lever

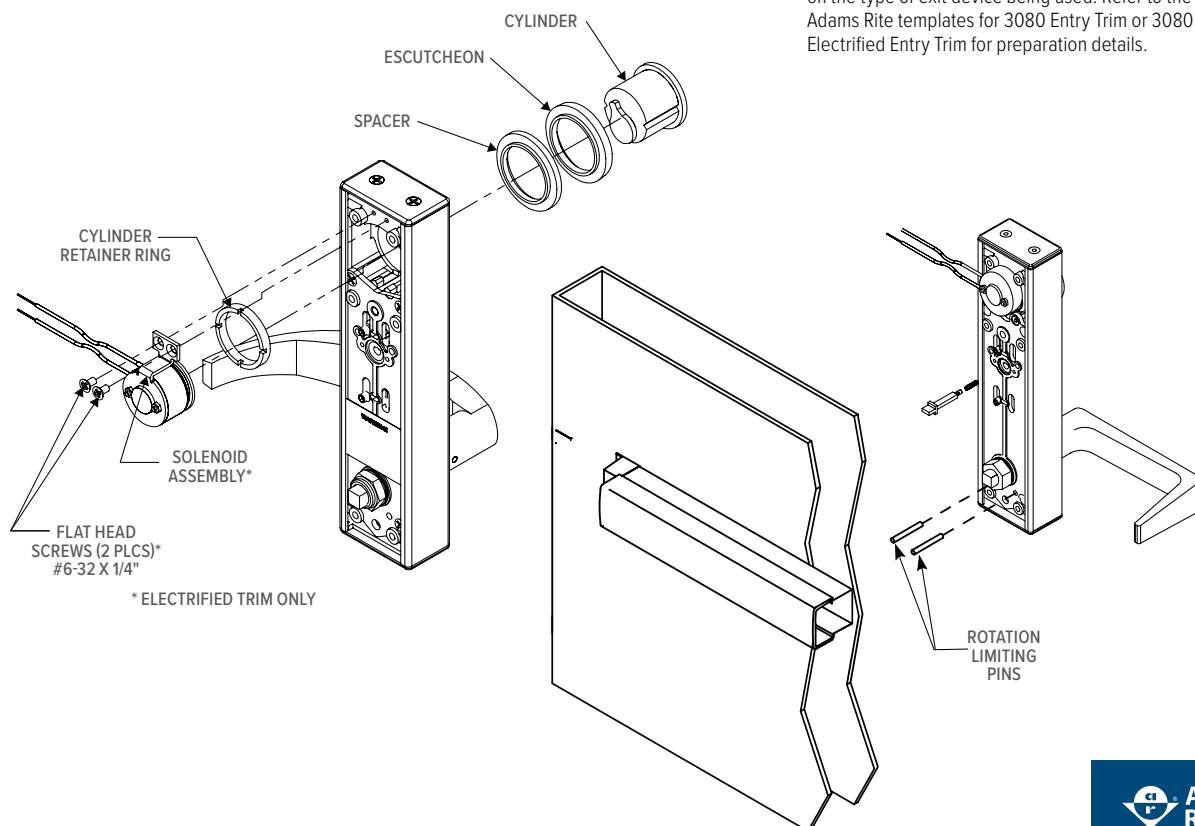
3000 Fixed Pulls

3001, 3002 Fixed Pulls: US32D (630)
Satin Stainless Steel pulls have 2-3/4" x 11-1/2" [69.9 mm x 292.1 mm] escutcheon.
Order with or without cylinder holes. For hollow metal and wood doors only.



Door Preparation & Trim Installation

Door prep and installation will differ depending on the type of exit device being used. Refer to the Adams Rite templates for 3080 Entry Trim or 3080E Electrified Entry Trim for preparation details.



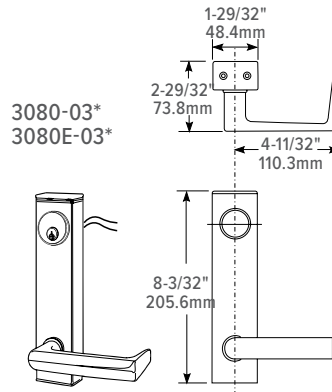
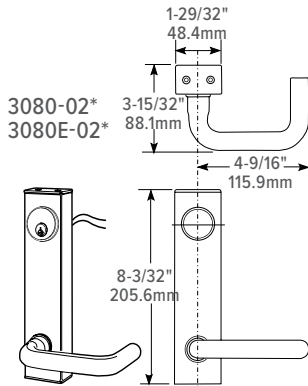
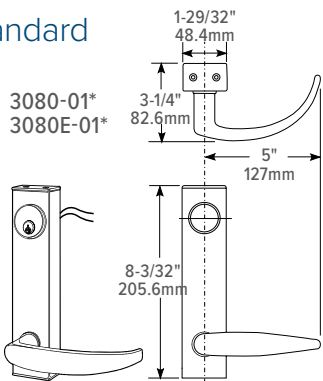
All measurements are approximate and are provided for informational purposes only. Refer to the product Installation Instructions.

Lever Dimensions

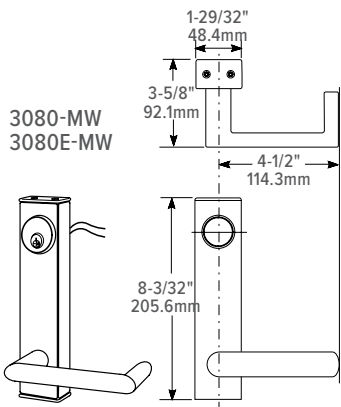
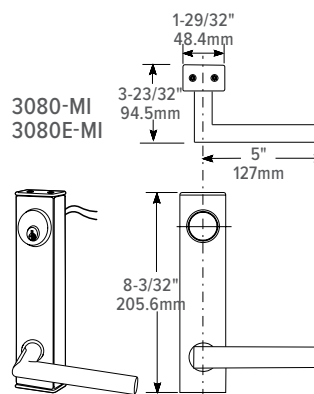
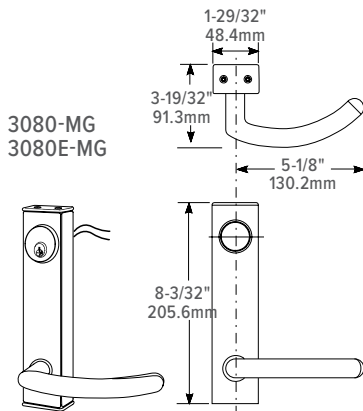
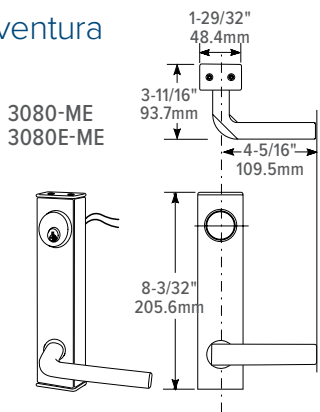
* The 3080-01, -02, and -03 lever handles are designed to return within 1/2" of the door face. Handles in the Designer Series do not have this same feature. Please verify with local code requirements to ensure compliance.

** Handed

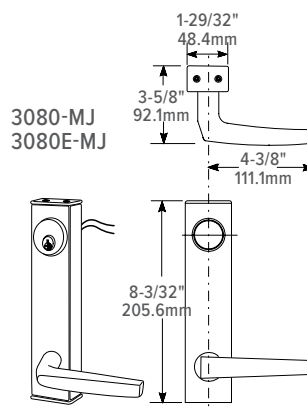
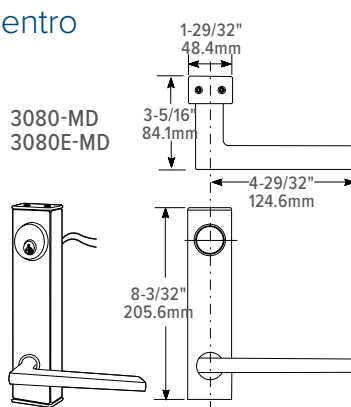
Standard



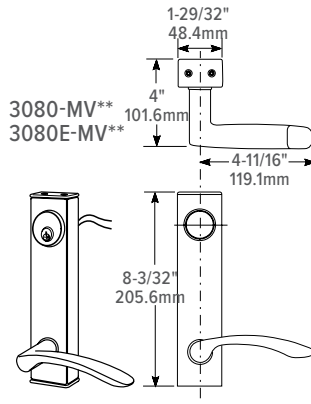
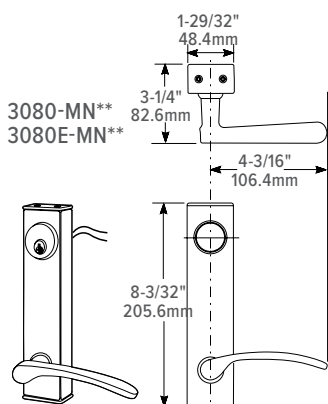
Aventura



Centro



Odeon



How to Order, Related, & Compatible Products

3080 Series Entry Trim: Specify quantity and the following information. Order related products separately.

MODEL	ELECTRIFIED	HANDLE	HANDING*	CYLINDER HOLE	EXIT DEVICE	VOLTAGE	FEATURES	TRIM COVER FINISH	FINISH
3080	E	-01	-0	-3	7	-3	0	M	US32D
	(blank) Standard	STANDARD HANDLES	0 No Handing	3 With Hole	1 SVR	Electrified Trim Only	Electrified Trim Only	- Standard (Black)	US3 Bright Brass
	E Electrified Trim	01 Curve	7 RHR	9 Without Hole	3 Mortise	3 12 Volt DC	0 Fail-Secure	M Matching Finish	US4 Satin Brass
		02 Round	8 LHR		4 SCVR	5 24 Volt DC	5 Fail-Safe		10B to match Dark Bronze
		03 Square			6 CVR				US32 Bright Stainless
		DESIGNER SERIES			7 Rim				US32D Satin Stainless
		MD	MJ		U Universal Kit				
		ME	MN* (Handed)						
		MG	MV* (Handed)						
		MI	MW						

*Handing must be specified for MN and MV Designer Levers.

3000 Fixed Pulls: Specify quantity and the following information. Order related products separately.

MODEL	HANDLE	CYLINDER HOLE	EXIT DEVICE	FINISH
300	1	-1	1	-US32D
	1 Round	1 Without Hole	1 Mortise, Rim	US32D Satin Stainless
	2 Flat	2 With Hole	2 CVR	
			3 SVR	

NOTE: 3000 is not for use with the following narrow stile exit devices: 8200 SVR, 8400 Morstise, 8600 CVR, 8800 Rim

RELATED PRODUCTS

When purchasing this product, please consider the following related products, available separately:

CYLINDERS	POWER
Standard 1" to 1-1/4" length, 1-5/32" diameter mortise cylinder with MS® cam such as 4036 Mortise Cylinder	PS-1 Power Supply, 4605, 4606 Transformer, 4603 Rectifier, 4612 Power Transfer Device

COMPATIBLE PRODUCTS

DEADLATCHES	EXIT DEVICES
4900, 4920AN Series Deadlatches, 4781 Two Point Deadlatch with paddle	8100, 8200 SVR, 8300, 8400 Mortise, 8500, 8600 CVR, 8700, 8800 Rim, 8900 SCVR Exit Devices

eForce[®] 3090-150

Keyless Entry

A battery-operated keyless entry control device, the eForce 3090-150 Keyless Entry provides access control for Adams Rite deadlocks, deadlatches, and exit devices.

Function

The eForce 3090-150 Keyless Entry is a battery-operated keyless entry control for Adams Rite deadlocks, deadlatches and exit devices, that is compatible with aluminum and hollow metal door applications. The device can accommodate up to 150 users, including master, supervisor, emergency users plus two one-time codes. The eForce 3090-150 can operate in three modes: Standard, Passage, and Lockout. All programming is accomplished via the keypad. Device operation is confirmed by both a visual LED light indicator and an audible sound generated by a Piezo horn.

Operation

In the standard mode of operation, a programmed 2 to 7-digit character followed by a star (*) key allows for one entry when used with Adams Rite deadlatches or exit devices. When an authorized code is entered, rotate lever downward 90° to unlock or unlatch locking device. When released, lever returns to horizontal. The MS Deadlocks must always be relocked manually when used with the eForce 3090-150. Hold open time is adjustable from 1 to 9 seconds. eForce 3090-150 accepts any standard mortise cylinder with MS® cam, available separately.



Aluminium



Hollow Metal



Electrified Product



Certifications

FCC Part 15 compliant

Features

- Surface mounted with concealed fasteners. Suitable for 1-3/4" [44.5 mm] to 2-1/4" [57.2 mm] door thickness
- Non-handed with clutched lever protection
- Powered by 4 AA alkaline batteries; supports 60,000 activations

Housing

Measures 1-3/4" [44.5 mm] wide x 15-3/8" [390.5 mm] high.

Handle

Clutch-protected cast zinc alloy, finished to match housing, field selectable handing.

Keypad

UV stable keypad material.

Operating Temperatures

Full outdoor rating; Temperature range from -31 to +151F [-35 to +66C] and 5 to 95% humidity (non-condensing).

Standard Package

Individually boxed with mounting hardware for 1-3/4" [44.5 mm] to 2-1/4" [57.2 mm] door thickness.

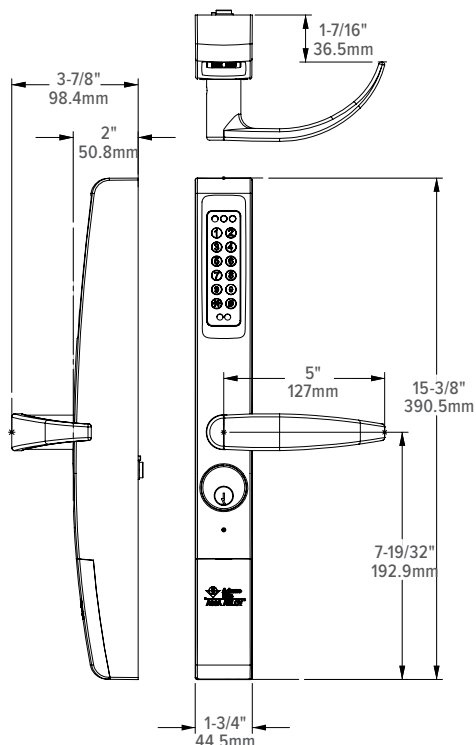
Shipping weight

5-1/2 lbs [2.49 kg].

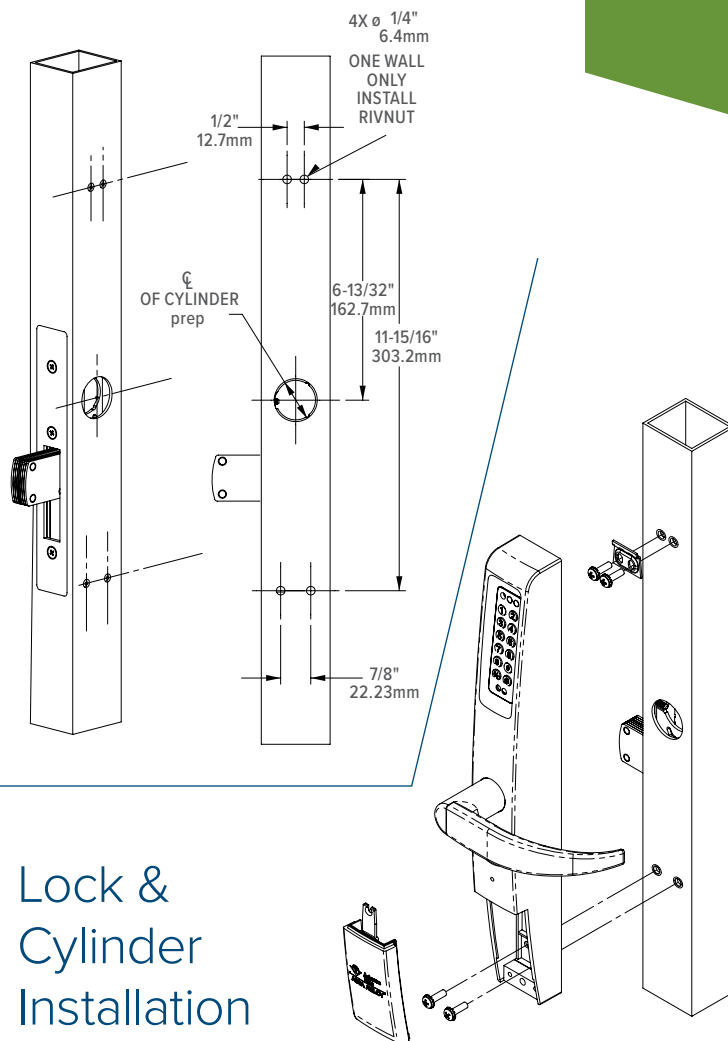
Options

- Remote activation input cable RSK-3090 available separately.
- Available in choice of powder coat 121 Dark Bronze to match 313 Dark Bronze Anodized, or US26D (626) Satin Chrome.

Dimensions



Stile Preparation



Lock & Cylinder Installation

How to Order, Related, & Compatible Products

3090-150 eForce® Keyless Entry: Specify quantity and the following information. Order related products separately.

MODEL	COMPATIBLE PRODUCTS	FINISH
3090	-01	-626
	01 Adams Rite latches or 8000 Series Exit Devices	121 To match 313 Dark Bronze Anodized
	02 Adams Rite MS® deadlocks	626 Satin Chrome

RELATED PRODUCTS

When purchasing this product, please consider the following related products, available separately:

CYLINDERS	ACCESSORIES
Standard 1" length, 1-5/32" diameter mortise cylinder with MS® cam such as 4036 Mortise Cylinder	RSK-3090 Remote Activation Kit

COMPATIBLE PRODUCTS

DEADLOCKS	DEADLATCHES	EXIT DEVICES
MS1850S, MS1850S-050, MS1850SN, MS1850SN-050, MS1950, MS1950-050 Series Deadlocks	4510, 4530, 4900, 4920AN Series Deadlatches	8100, 8200 SVR, 8300, 8400 Mortise, 8500, 8600 CVR, 8700, 8800 Rim, 8900 SCVR Exit Devices with 31/32" backset or greater. Yale 7200 Series, Corbin Russwin ED4000 Series. Please check model number for availability.

4550 MS®

Deadlock Lever

The 4550 MS® Deadlock Lever easily unlocks an MS® Deadlock with approximately three pounds of downward force. The spring-loaded lever relocks with an upward motion.



Function

Easy unlocking of most MS Deadlocks by approximately 3 lbs [1.36 kg] downward force on a 3" [76.2 mm] lever. Lever is spring loaded to horizontal, relocks with upward motion. Indicator signals lock status. Can be installed in place of existing key cylinder or cylinder type thumbturn on inside of door. 4550 Deadlock Lever not compatible with 7/8" [22.2 mm] backset locks.

Operation

Rotate lever downward 90° to unlock. When released, lever returns to horizontal. Rotate lever upward 90° to relock. Key operation from outside is not affected. Clutching action prevents damage to internal components.

Features

Housing

Aluminum casting is 1-3/8" wide x 7-1/2" long x 1" deep [34.9 mm x 190.5 mm x 25.4 mm].

Lever

3" [76.2 mm] long aluminum with end-return design offers comfortable grip to lock or unlock.

Indicator

Words "LOCKED" in red letters or "OPEN" in green letters appear on white background when bolt is thrown or retracted respectively. Indicator is driven by lock bolt itself.

Stop Clearance

Lever housing projects 11/16" [17.5 mm] forward of cylinder backset centerline. Depending on height of door stop and width of door/jamb gap, it may be necessary to modify the stop to clear the housing. For fin type stops, this is easily accomplished. Hollow stops may preclude use

of lever. Please contact factory for more detailed information.

Compatible Locking Devices

Any MS® pivoted bolt deadlock including "Schoolhouse" versions can be fitted with the 4550 including MS1850S, MS1950.

Derivative units such as 1870 or 1870HM, flushbolts that bolt into threshold are also operable by the 4550 lever.

Not compatible with MS+1890 Deadlock/Deadlatch or 2190 Interconnected Deadlock/Deadlatch or with 7/8" [22.2 mm] backset locks.

Standard Package

Individually boxed with mounting hardware and drive pins for both single point and threshold bolt-equipped locks.

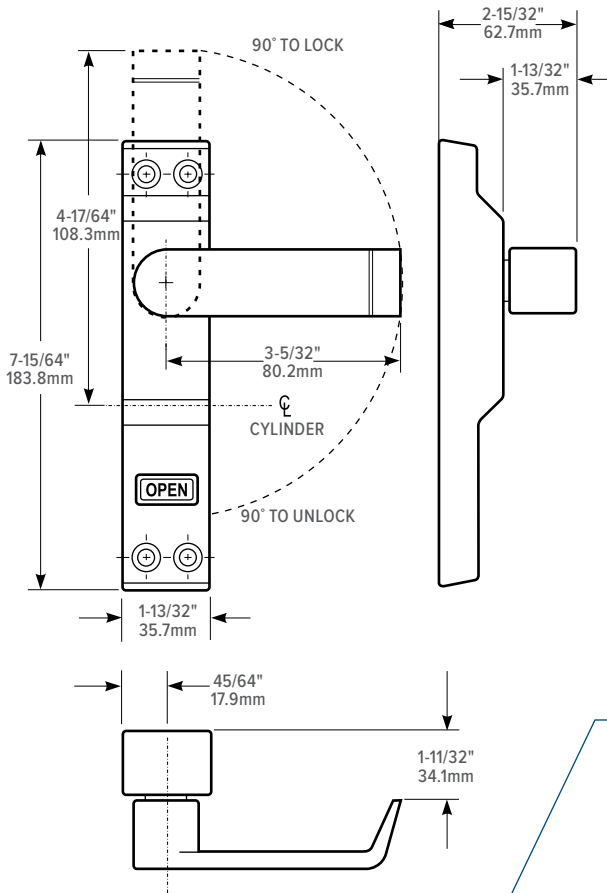
Shipping weight

3 lbs [1.36 kg].

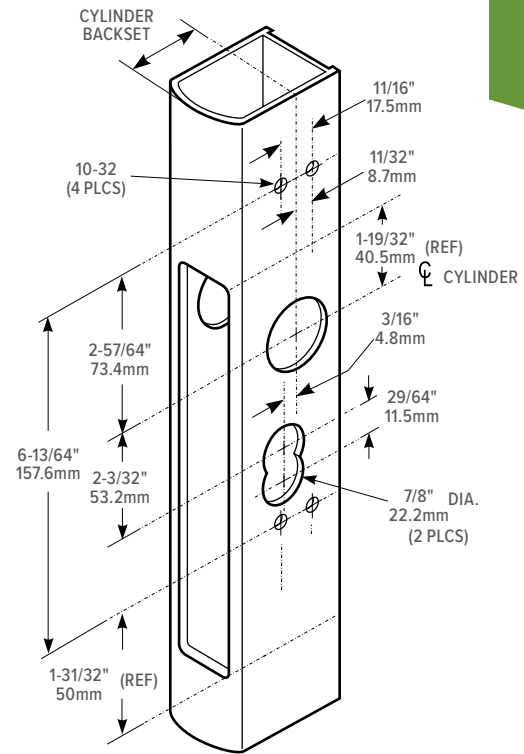
Options

- Available in choice of powder coat 119 to match 335 Black anodized, 121 to match 313 Dark bronze anodized, and 130 to match 628 Clear anodized.
- Ordered for left or right hand door, but is easily reconfigured in the field to accommodate either door swing.

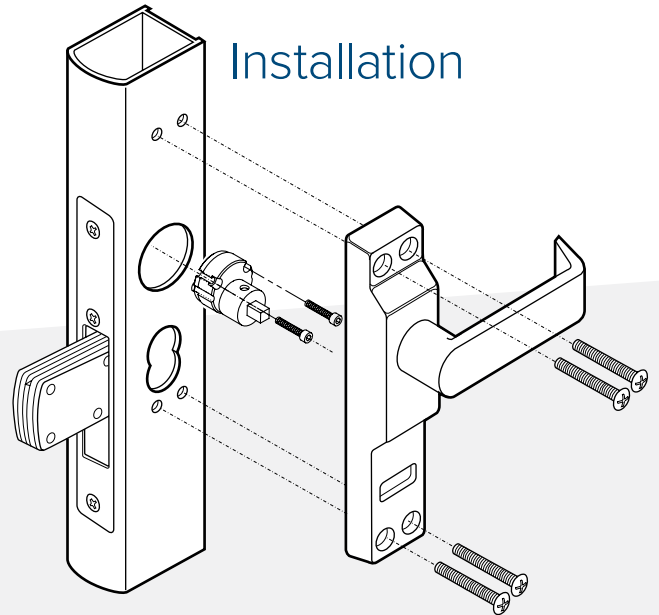
Dimensions



Stile Preparation



Installation



How to Order & Compatible Products

4550 MS® Deadlock Lever: Specify quantity and the following information. Order related products separately.

MODEL	DOOR HAND	DOOR THICKNESS	FINISH
4550	R	-01	-130
	R RH or RHR	01 1-3/4" to 2"	119 To match 335 Black Anodized
	L LH or LHR	02 2-1/8" to 2-3/8"	121 To match 313 Dark Bronze Anodized
			130 To match 628 Clear Anodized

COMPATIBLE PRODUCTS

DEADLOCKS	FLUSHLOCKS
MS1850S, MS1850S-050, MS1850SN, MS1850SN-050, MS1950, MS1950-050 Series Deadlocks (not compatible with 7/8" backset)	1870, 1870HM Series cylinder-operated flushbolts

4560 Series

Deadlatch Handles

The 4560 Series Deadlatch Handles easily unlock the 4300, 4500 and 4900 Series Deadlatches. These handles fit solidly into the cylinder hole of Adams Rite deadlatches.

Function

Designed to operate 4300, 4500 and 4900 Series Deadlatches by a natural downward hand movement, these handles incorporate an activator cam plug that mounts on the handles' escutcheon and fits solidly into the cylinder hole of the latch. Not intended for use as a door pull.

4560 handles feature an ADA compliant lever shaped to fit the hand.

4565 handles feature a thumbturn of minimum practical length.

4568 handles feature an ADA compliant lever shaped to fit the hand.

4569 handles feature a return end, often required by code.



Features

Handle

Handle of cast aluminum.

4560: ADA compliant lever is shaped to fit the hand, with a concave thumb-rest portion that tends to keep knuckles and thumb safely away from the jamb, even on a short backset narrow stile.

4565: Thumbturn of minimum practical length is designed to offer a firm grip to the fingertips. Ideal for doors where the latch is operated infrequently.

European styling of 4568 and 4569 offers a generous hand grip with shank offset from the narrow stile jamb for hand safety. Rugged construction ensures dependable performance, with a high-wear spring to return the handle to position after use.

4568: ADA compliant lever is shaped to fit the hand.

4569: ADA compliant lever features a return end, often required by code. Please verify local code requirements to ensure compliance.

Escutcheon

A 1/4" [6.4 mm] square heat-treated spindle is part of escutcheon assembly, which interlocks with the cam plug. Finished to match lever.

4560, 4565 use the same sloping 1-3/8" x 4" [34.9 mm x 101.6 mm] escutcheon, designed to match the clean lines of a narrow stile door.

4568, 4569 use the same 1-3/8" x 4" [34.9mm x 101.6mm] escutcheon, designed to match the clean lines of a narrow stile door. Steel mounted base is secured by hidden screws and has two large helical compression springs (one becomes a "spare" once handing is given).

Cam Plug

Secured in latch body by cylinder set screw, the plug is also rigidly tied to handle escutcheon by hardened steel pins. Handing can be reversed by removing a spring clip, reversing the cam, and replacing the clip.

Standard Package

Individually packaged with mounting hardware and cam plug handed LH or RH as specified.

Shipping Weight

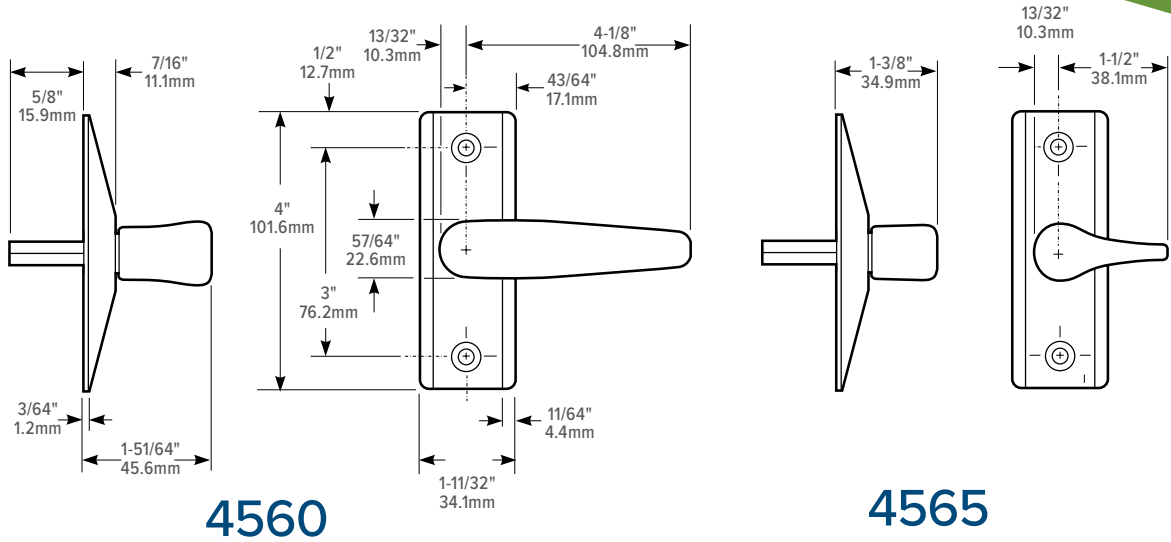
2 lbs [0.91 kg].

4560, 4565 are also available bulk-packed in cartons, up to 100 per carton. Please contact factory for more information.

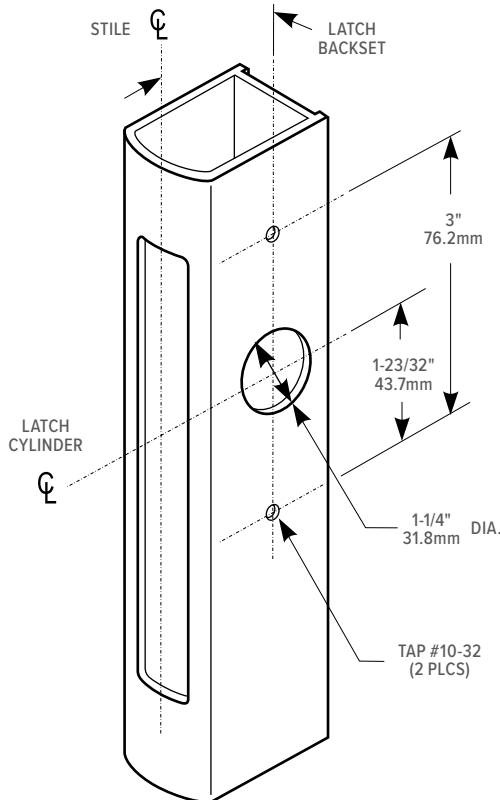
Options

- Ordered for left hand (LH) or right hand (RH) door, but is easily reconfigured in the field to accommodate either door swing.
- Standard handles are for 1-3/4" [44.5 mm] thick doors. Please contact factory for doors up to 3-1/4" [82.6 mm] available by special order.
- Available in choice of powder coat 119 to match 335 Black anodized, 121 to match 313 Dark bronze anodized, and 130 to match 628 Clear anodized.

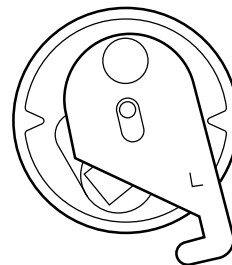
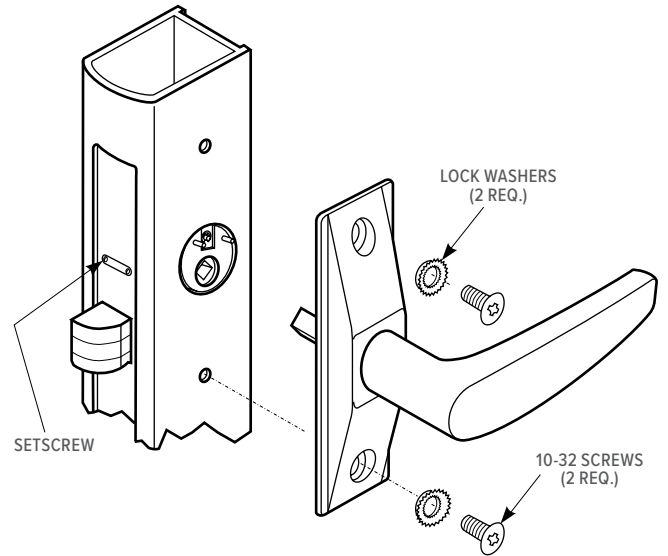
Dimensions



Narrow Stile Preparation



Installation



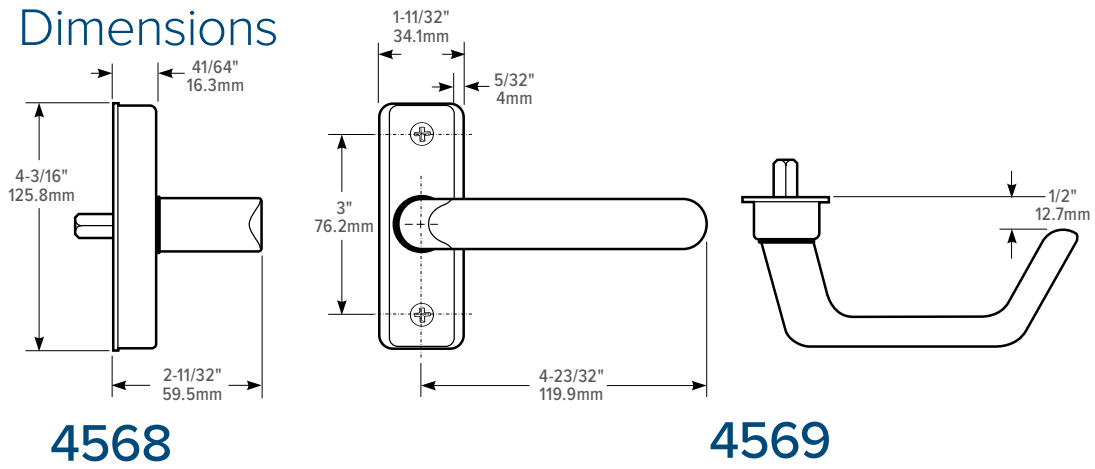
REVERSIBLE 4580 CAM DISC

Included with 4560 Series Deadlatch Handles.

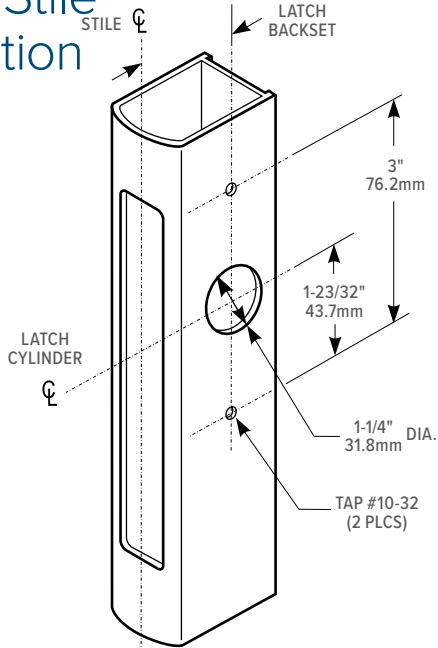
Required to operate 4500 / 4900 / existing 4700 series latches.

All measurements are approximate and are provided for informational purposes only. Refer to the product Installation Instructions.

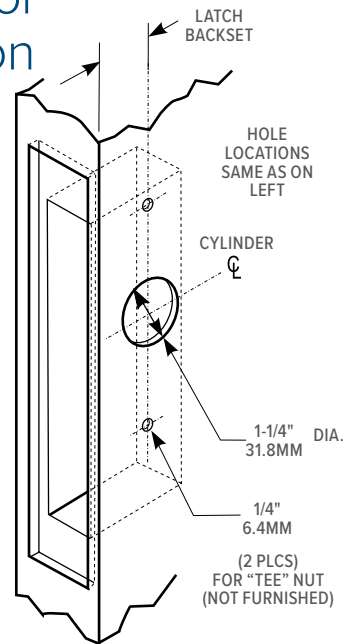
Dimensions



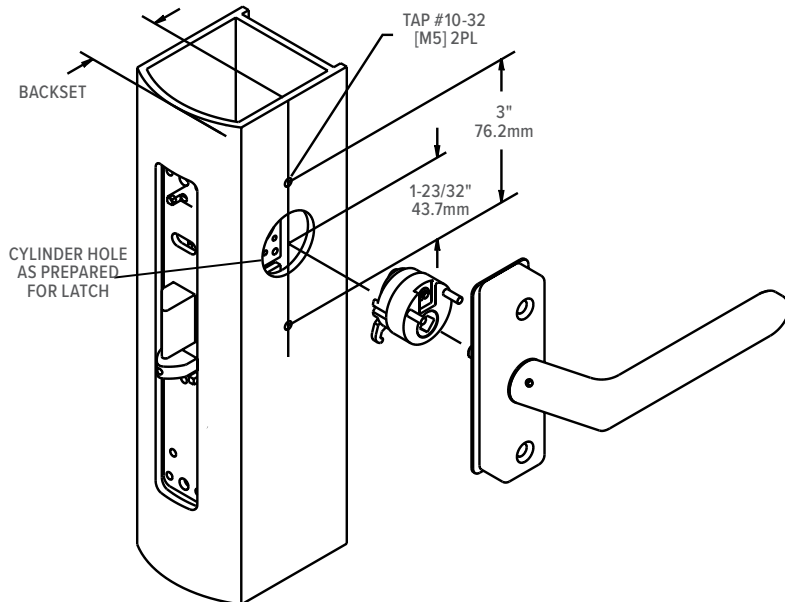
Narrow Stile Preparation



Wood Door Preparation



Installation



How to Order & Compatible Products

4560, 4565 Deadlatch Handles: Specify quantity and the following information. Order related products separately.

MODEL	HANDLE TYPE	HANDING	DOOR THICKNESS	FINISH
456	0	-5	01	-130
	0 Lever	0 Using MS+1890	For 4300, 4500, 4900 Series Deadlatches	119 To match 335 Black Anodized
	5 Turn	5 LH or LHR	01 1-3/4" to 2"	121 To match 313 Dark Bronze Anodized
		6 RH or RHR	02 2-1/4" to 2-1/2"	130 To match 628 Clear Anodized
			03 2-3/4" to 3"	
			04 3-1/4"	
			For MS+1890	
			11 1-3/4"	
			12 1-3/4" to 2-1/4"	
			13 2-5/16" to 2-3/4"	

4568, 4569 Deadlatch Handles: Specify quantity and the following information. Order related products separately.

MODEL	LEVER TYPE	HANDING	DOOR THICKNESS	FINISH
456	8	-5	01	-130
	8 Straight	0 Using MS+1890	For 4300, 4500, 4900 Series Deadlatches	119 To match 335 Black Anodized
	9 Return End	5 LH or LHR	01 1-3/4" to 2"	121 To match 313 Dark Bronze Anodized
		6 RH or RHR	02 2-1/4" to 2-1/2"	130 To match 628 Clear Anodized
			03 2-3/4" to 3"	
			04 3-1/4"	
			For MS+1890	
			11 1-3/4" to 1-15/16"	
			12 1-3/4" to 2-1/4"	
			13 2-5/16" to 2-3/4"	
			14 3"	

COMPATIBLE PRODUCTS

DEADLOCKS	DEADLATCHES
MS+1890 Deadlock/Latch 2190 Series Interconnected Deadbolt/Deadlatch (4568, 4569 only)	4300 Electrified Deadlatches, 4510, 4530, 4900, 4920AN Series Deadlatches.

RELATED PRODUCTS

When purchasing this product, please consider the following related products, available separately:

ACCESSORIES
91-0912 Adapter Plate



Aluminium

Sliding
Door

4570 ICU

Latch Operator

The 4570 ICU Latch Operator specifically addresses the easy access needed for sliding doors in hospital ICU wards. This device meets code requirements for self-latching door mechanisms on ICU doors.

Function

Created to specifically address the easy access needed for sliding doors in hospital ICU wards. This device meets code requirements for self-latching door mechanisms on ICU doors, when used in conjunction with the Adams Rite 5017 Deadlock/Latch or the MS1847 Deadlock/Latch.

Operation

A pair of ergonomically–designed handles activate an Adams Rite hookbolt deadlatch from either side of the door. The 4570 ICU Latch Operator utilizes the Adams Rite 5017 Deadlock/ Latch or MS1847 Deadlock/Latch (available separately). Doors can be opened swiftly and easily with one natural motion. The 4570 ICU Latch Operator is known for durability and strength-in-small-packages.



Features

Handle

The handles are positioned parallel with the stile to provide faster latching and unlatching of the door. Rugged construction ensures dependable performance, with a high-wear spring to return the handles to their position after use.

Escutcheon

1" x 4" x 1/2" escutcheon, designed to match the clean lines of a narrow stile door.

Standard Package

Individually boxed with mounting hardware.

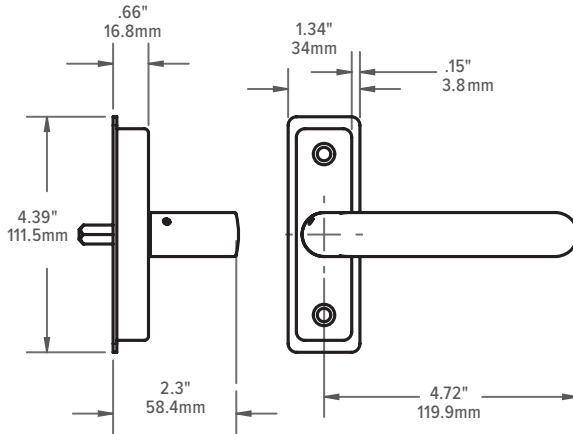
Shipping Weight

1-1/2 lb

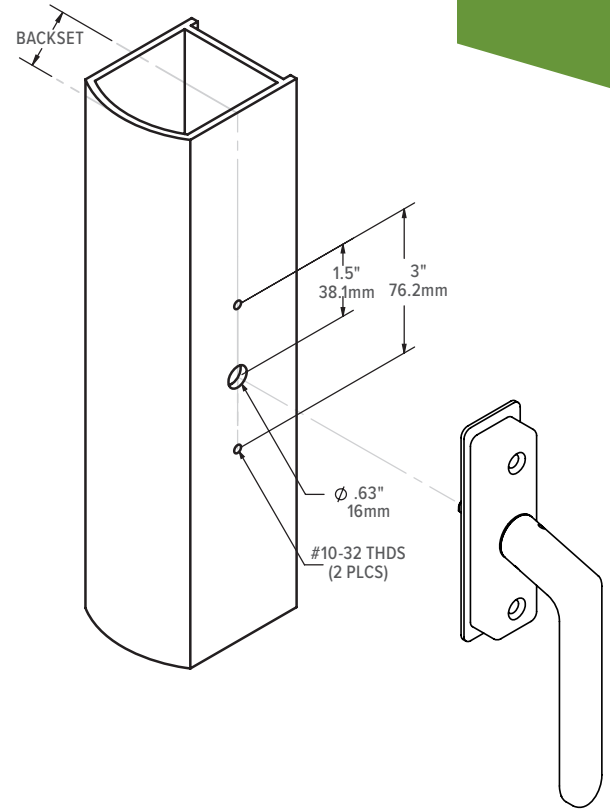
Options

- Lever handles and escutcheon available in 130 Satin Aluminum, 121 Dark Bronze or 119 Black finishes.

Dimensions



Installation



How to Order & Compatible Products

4570 ICU Latch Operator: Specify quantity and the following information. Order related products separately.

MODEL	FINISH
4570-01	-130
	119 To match 335 Black Anodized
	121 To match 313 Dark Bronze Anodized
	130 To match 628 Clear Anodized

COMPATIBLE PRODUCTS

This product is compatible with the following products.

DEADLOCKS
5017 Deadlock/Deadlatch, self-latching only
MS1847 Deadlock/Deadlatch, self-latching only

4576 Flushbolt

with ICU Lever



The 4576 Flushbolt with ICU Lever specifically addresses the easy access needed for swinging doors in hospital ICU wards. The device latches to header allowing both paired out-swinging narrow stile door leaves to remain active.

Function

Designed for use instead of conventional flip-lever operated flushbolts, the 4576 Flushbolt with Lever latches to the header allowing both door leaves to be “active”. There is no need to pin one door with cylinder operated flushbolts or other devices. The lever is a modified version of the ergonomically-designed 4570 Latch Operator and the concealed vertical rod mechanism is similar to the one used in Adams Rite’s 4781 Two-Point Deadlatch with Paddle. Note, however, that the 4576 Flushbolt with Lever is not intended to substitute for an exit device, which must have a door-spanning bar.

Operation

The ergonomically-designed handle activates the U-shaped top bolt, which wraps around the strike post to deadlock position. This flushbolt can be operated from the out-swing side only.

Features

Header Strike

A flanged post installed on the header has generous location adjustment to allow for door misalignment, sag, bumpers, etc. Designed to prevent forced entry by bowing the door.

Handle

The handle is positioned parallel with the stile to provide faster latching and unlatching of the door. Doors can be opened swiftly and easily with one natural motion. Rugged construction ensures dependable performance, with a high-wear spring to return the handle to position after use.

Escutcheon

1" x 4" x 1/2" escutcheon, designed to match the clean lines of a narrow stile door.

Door Size

Standard unit will fit doors up to 66" above the handle height (110" door if handle is at max 44" height). For taller doors, order 8655 Tall Door Kit, which allows up to 97" above handle.

Standard Package

Individually boxed with mounting hardware.

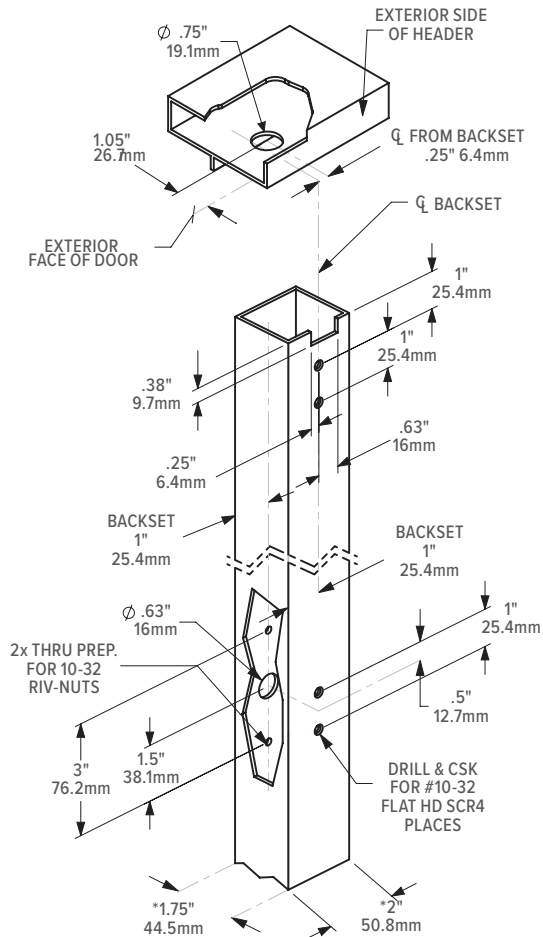
Shipping Weight

4 lb.

Options

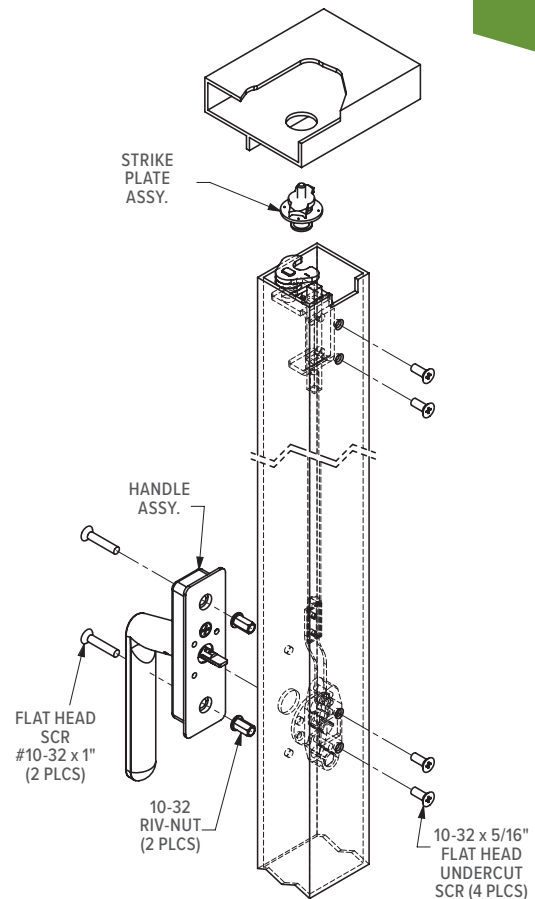
- Lever handles and escutcheon available in 130 Satin Aluminum. Unit must be specified left hand (LH) or right hand (RH).

Dimensions

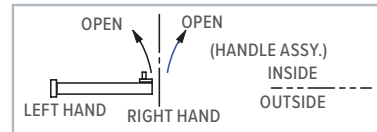


* Preparation and installation of 4576 devices are based on 1.75" x 2" stile external dimensions. Doors with a thickness other than 1.75" will require modification to the 4576 device.

Installation



HANDING CONVENTION AS APPLIED TO 4576



How to Order & Compatible Products

4576 ICU Latch Operator: Specify quantity and the following information. Order related products separately.

MODEL	HANDING	FINISH
4576	-601	-130
	501 Left Hand	130 To match 628 Clear Anodized
	601 Right Hand	

RELATED PRODUCTS

When purchasing this product, please consider the following related products, available separately.

ACCESSORIES
8655 Tall Door Kit

4590

Deadlatch Paddle

The 4590 Deadlatch Paddle is an ergonomically-friendly alternative to a knob or lever handle. Operate with a simple push or pull.



Function

An alternative to knob or lever handles. Makes opening a latched door as natural as opening an unlatched one – just push or pull in the direction in which the door swings. Compatible with any Adams Rite 4300, 4500 or 4900 Series Deadlatch, MS+1890 Deadlock/Deadlatch, or 2190/2290 Interconnected Deadbolt/Deadlatch.

Operation

Available in four configurations: push left, push right, pull left, and pull right.

Features

Paddle

Extruded aluminum.

Escutcheons

Zinc alloy with black finish. Secured to door stile with special binder posts that extend into the escutcheon to rigidly resist torque loads in any direction.

Cam Plug

Furnished for use with 4300, 4500 and 4900 Series Deadlatches. Cam plug not for use with MS+1890 Deadlock/Deadlatch or 2190/2290 Interconnected Deadbolt/Deadlatch. Secured in latch body by cylinder set screw, plug is also rigidly tied to escutcheon by hardened steel pins.

Standard Package

Individually boxed with mounting hardware. Units for 4300, 4500 or 4900 Series Deadlatches include cam plug.

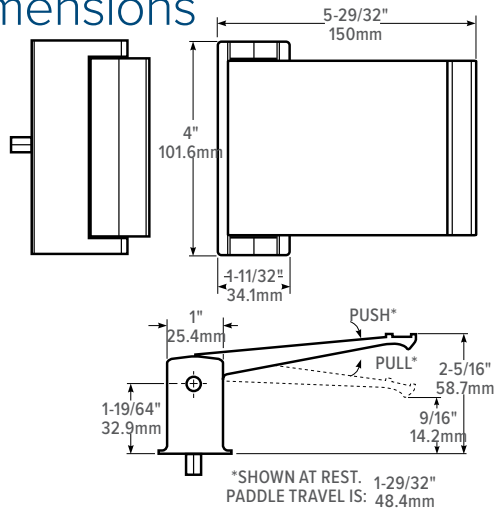
Shipping weight

1-1/2 lb [0.68 kg].

Options

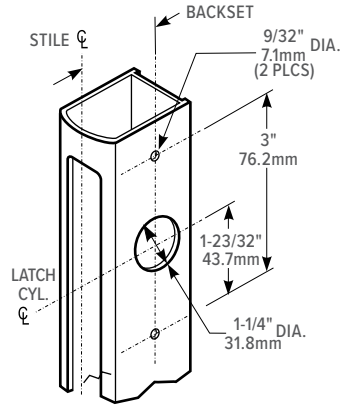
- First dash number specifies operation, handing and compatible latch. If required, use second dash number to specify non-standard units for doors thicker than 1-3/4" [44.5 mm]. Please see configuration table or contact factory for more information.
- Available in choice of 313 Dark bronze anodized, 335 Black anodized, 628 Clear anodized.

Dimensions

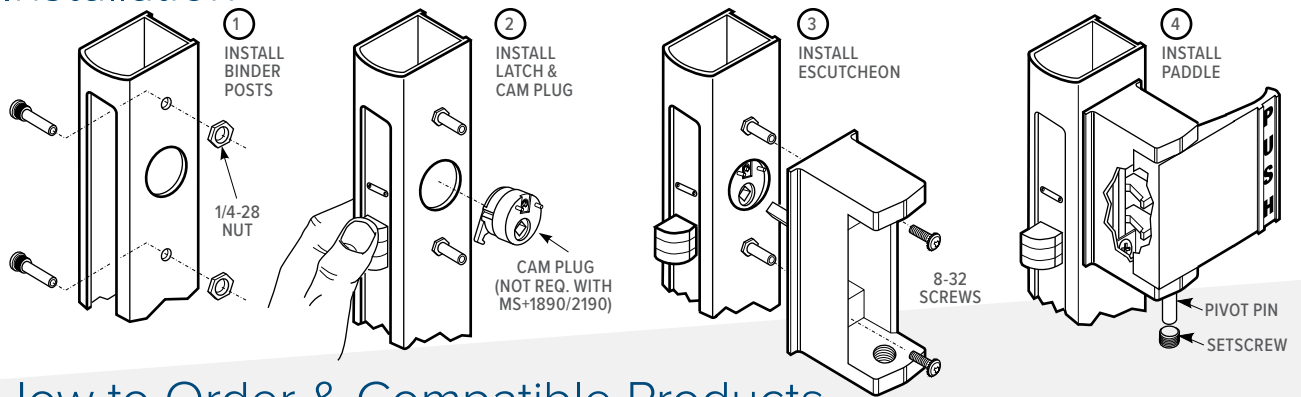


Stile Preparation

For 4500/4900 latches, see MS+1890/2190 for different hole pattern



Installation



How to Order & Compatible Products

4590 Deadlatch Paddle: Specify quantity and the following information. Order related products separately.

MODEL	OPERATION			DOOR THICKNESS		FINISH*
4590	02			-00		-313
FIRST DASH FOR LATCH SERIES	OPERATION	USE	For 4300, 4500, 4900 Series Deadlatches	For MS+1890, 2190	313 Dark Bronze Anodized	
-01 4300/4500/4900	PULL TO LEFT		00 1-3/4"	00 1-3/4"	335 Black Anodized	
-11 MS+1890/2190			01 1-13/16" to 2"	01 1-3/4" to 2-1/4"	628 Clear Anodized	
-02 4300/4500/4900	PUSH TO LEFT		02 2-1/4" to 2-1/2"	02 2-5/16" to 2-1/2"		
-12 MS+1890/2190			03 2-3/4" to 3"	03 2-9/16" to 2-3/4"		
-03 4300/4500/4900	PULL TO RIGHT		04 3-1/4"			
-13 MS+1890/2190						
-04 4300/4500/4900	PUSH TO RIGHT					
-14 MS+1890/2190						
LH	 -03 OR -13 -02 OR -12		RH	 -01 OR -11 -04 OR -14		
LHR	 -04 OR -14 -01 OR -11		RHR	 -02 OR -12 -03 OR -13		

*Finish applied to paddle assembly only, not escutcheon.

RELATED PRODUCTS

When purchasing this product, please consider the following related products, available separately.

ACCESSORIES
91-0912 Adapter Plate

COMPATIBLE PRODUCTS

DEADLOCKS	DEADLATCHES
MS+1890 Deadlock/Latch, 2190 Series Interconnected Deadbolt/Deadlatch	4300 Electrified Deadlatches, 4510, 4530, 4900, 4920AN Series Deadlatches.



4591

Deadlatch Paddle

The 4591 Deadlatch Paddle is an ergonomically-friendly alternative to a knob or lever handle. Operate with a simple push or pull.



Function

An alternative to knob or lever handles. Makes opening a latched door as natural as opening an unlatched one – just push or pull in the direction in which the door swings. Compatible with any Adams Rite 4300, 4500 or 4900 Series Deadlatch, MS+1890 Deadlock/Deadlatch, or 2190/2290 Interconnected Deadbolt/Deadlatch.

Operation

Available in four configurations: push left, push right, pull left, and pull right. Can be reconfigured to any mode in the field. Dogging may not be utilized in pull configuration.

Features

Paddle

Extruded aluminum.

Escutcheons

Zinc alloy with black finish. Secured to door stile with special binder posts that extend into the escutcheon to rigidly resist torque loads in any direction.

Cam Plug

Furnished for use with 4300, 4500 and 4900 Series Deadlatches. Cam plug not for use with MS+1890 Deadlock/Deadlatch or 2190/2290 Interconnected Deadbolt/Deadlatch. Secured in latch body by cylinder set screw, plug is also rigidly tied to escutcheon by hardened steel pins.

Monitor Switches

4591M: Paddle without latch drive mechanism but with switch that can be wired to make or break a low voltage circuit.

4591MA: Paddle with latch drive mechanism, complete active paddle with switch.

91-0914 Monitor Switch Kit: Adds monitor switch function to 4591 Paddle for "push" version only.

Paddle Dogging

"PUSH" version only: Turning hex key in escutcheon holds the paddle down, leaving door free-swinging. Dogging key provided.

Standard Package

Individually boxed with mounting hardware. Units for 4300, 4500 or 4900 Series Deadlatches include cam plug.

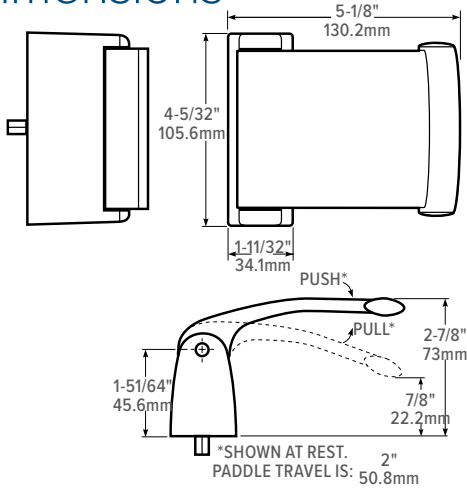
Shipping weight

1-1/2 lb [0.68 kg].

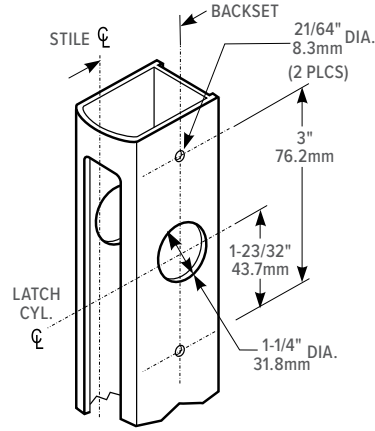
Options

- First dash number specifies operation, handing and compatible latch. If required, use second dash number to specify non-standard units for doors thicker than 1-3/4" [44.5 mm]. Please see configuration table or contact factory for more information.
- 4591M Paddle switch to actuate magnetic lock, alarm, etc. No latch retracting mechanism.
- 4591MA Active paddle with switch and latch retracting mechanism.
- 4781 Two-Point Deadlatch uses a modified, but matching version of the 4591 Paddle.
- Available in choice of 313 Dark bronze anodized, 335 Black anodized, 628 Clear anodized, US3 (605) Bright brass, and US26D (626) Satin chrome special finishes are also available

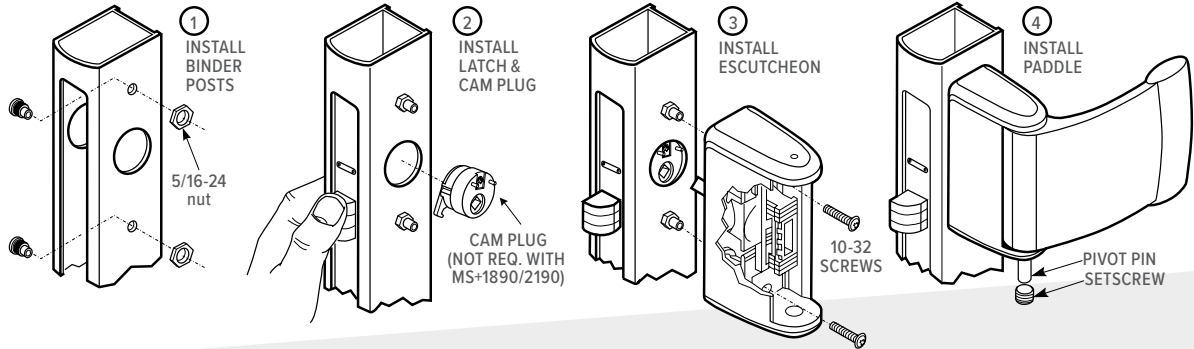
Dimensions



Stile Preparation



Installation



How to Order, Related, & Compatible Products

4591 Deadlatch Paddle: Specify quantity and the following information. Order related products separately.

MODEL	OPTIONS*	OPERATION			DOOR THICKNESS		FINISH**
4591	M	02			-00		-313
- Standard Paddle	FIRST DASH FOR LATCH SERIES	OPERATION	USE	For 4300, 4500, 4900 Series Deadlatches	For MS+1890, 2190	313 Dark Bronze Anodized	
M Paddle w/ switch only	-01 4300/4500/4900 -11 MS+1890/2190	PULL TO LEFT		Outside of left hand reverse door or inside of right hand	00 1-3/4" 01 1-13/16" to 2"	335 Black Anodized	
MA Active paddle w/ switch	-02 4300/4500/4900 -12 MS+1890/2190	PUSH TO LEFT		Outside of left hand door or inside of right hand reverse	02 2-1/4" to 2-1/2" 03 2-3/4" to 3"	628 Clear Anodized	
	-03 4300/4500/4900 -13 MS+1890/2190	PULL TO RIGHT		Outside of right hand reverse door or inside or left hand	04 3-1/4"	US3 Bright Brass	
	-04 4300/4500/4900 -14 MS+1890/2190	PUSH TO RIGHT		Outside of right hand door or inside of left hand reverse		US26D Satin Chrome	
	LH		RH				
	LHR		RHR				

*MA options available on push paddles only, not pull paddles. **Finish applied to paddle assembly only, not escutcheon.

RELATED PRODUCTS

When purchasing this product, please consider the following related products, available separately:

ACCESSORIES
91-0914 Monitor Switch Kit, 91-0912 Adapter Platet

COMPATIBLE PRODUCTS

DEADLOCKS	DEADLATCHES
MS+1890 Deadlock/Latch, 2190 Series Interconnected Deadbolt/Deadlatch	4300 Electrified Deadlatches, 4510, 4530, 4900, 4920AN Series Deadlatches.



4600

Heavy Duty Designer Deadlatch Handles

The 4600 Heavy Duty Designer Deadlatch Handles are designed to operate Adams Rite deadlatches and retro-fit onto the 2190 Interconnected Deadbolt/Deadlatch. Offered in a wide range of lever designs and architectural finishes to match the clean lines of a narrow stile door.



Function

Designed to operate 4300, 4500, and 4900 Series Deadlatches with either an upward or downward motion. 4600 Deadlatch Handles can be retrofitted in the field onto the 2190/2290 Interconnected Deadbolt/Deadlatch. Shipped handed, but easily reconfigured to accommodate either door swing. MV and MN handle types cannot be re-handed. The patented adjustable drive mechanism allows the escutcheon to be set back from the door edge at the time of installation to provide additional clearance. Monitoring switch optional to provide signal when lever is actuated.

Features

Handle

Available in standard and designer series levers to blend with existing architecture or to create a new design statement. Made from solid cast stainless, brass, or bronze, and finished to match any design requirement.

Standard series lever styles (-01, -02, -03) are designed to return within 1/2" [12.7 mm] of the door face, often required by code.

Please verify local code requirements to ensure compliance.

Escutcheons

Mounted base is secured by hidden screws and has two large helical compression springs. A 1/4" [6.4 mm] square heat-treated spindle is part of escutcheon assembly, which interlocks with the cam plug. Finished to match lever.

Cam Plug

Cam plug is required when 4600 handles are used to operate 4300, 4500 or 4900 Series Deadlatches.

Secured to the latch body by cylinder setscrew, the cam plug is tied to the handle escutcheon by integral anti-rotation pins.

Handing easily reversed with push-and-release cam design.

Standard Package

Individually packaged with cam plug (as needed), fasteners, and optional equipment specified.

Shipping weight

3 lbs [1.36 kg].

Options

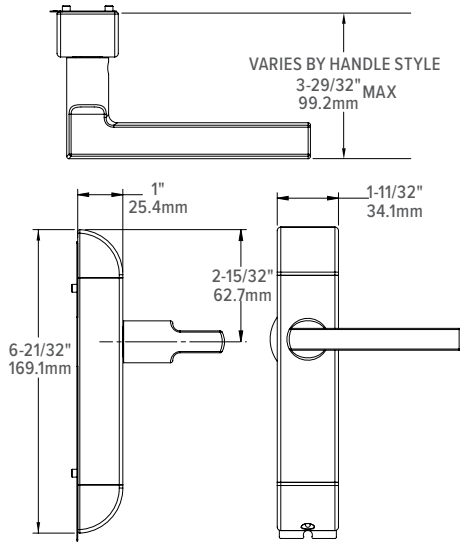
- Ordered for left or right hand door, but is easily reconfigured in the field to accommodate either door swing.

- Standard handles are for 1-3/4" [44.5 mm] thick doors. Please contact factory for doors up to 3-1/4" [82.6 mm] available by special order. Please use part number DTK-4600 for fixed lever (dummy) kit.
- Please use part number TBK-4600 for through-bolt mounting kit for back-to-back mounting on wood doors.
- Available in choice of US3 (605) Bright brass, US4 (606) Satin brass, 10B powder coat to match Dark Bronze, US32 (629) Bright stainless, or US32D (630) Satin stainless.

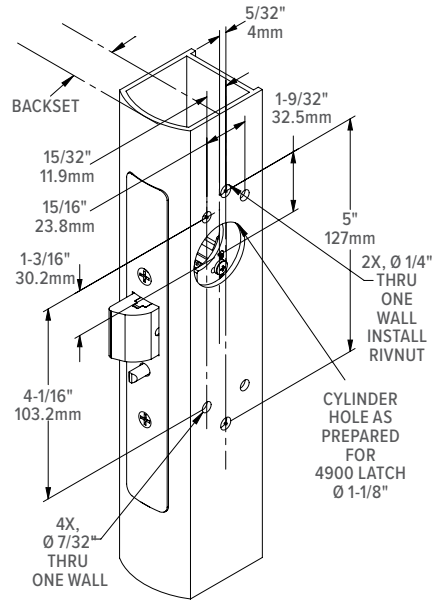
Product Note

The 4600M with switch option cannot be used in conjunction with the 4300 Electrified Deadlatch.

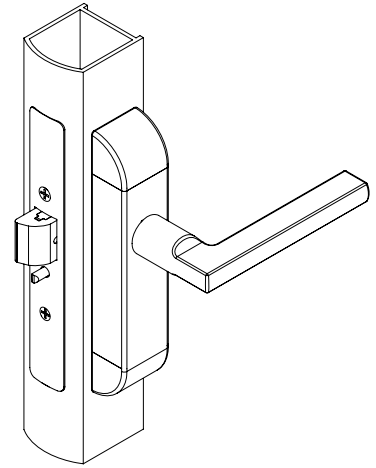
Dimensions



Stile Preparation



Installation



How to Order, Related & Compatible Products

4600 Heavy Duty Deadlatch Handles: Specify quantity and the following information. Order related products separately.

MODEL	REX	HANDLE	HANDING**	DOOR THICKNESS	COMPATIBLE PRODUCTS	FINISH
4600	M	-01	-5	1	1	-32D
	(blank) Standard	STANDARD HANDLES	5 LH or LHR	1 1-3/4" to 1-7/8"	1 2190, 2290 Interconnected Deadbolt/Deadlatch	US3 Bright Brass
	M Monitored Trim	01 Curve	6 RH or RHR	2 2" to 2-1/8"		US4 Satin Brass
		02 Round		3 2-1/4" to 2-3/8"	2 4300, 4500, 4900 Series Deadlatches	10B to match Dark Bronze
		03 Square		4 2-1/2" to 2-5/8"		US32 Bright Stainless
		DESIGNER SERIES		5 2-3/4" to 2-7/8"		US32D Satin Stainless
		MD MJ				
		ME MN* (Handed)				
		MG MV* (Handed)				
		MI MW				

* Handing must be specified for MN and MV Designer Levers. **Handing - assumes lever on interior of door.

RELATED PRODUCTS

When purchasing this product, please consider the following related products, available separately:

ACCESSORIES
REX-4600 Request to Exit, DTK-4600 Fixed Lever (dummy) Kit, TDK-4600-XX Thick Door Kit for doors 2" to 2-7/8", TBK-4600-XX Thru-Bolt Mounting Kit for back-to-back mounting on wood doors.

COMPATIBLE PRODUCTS

DEADLATCHES
4300 Electrified Deadlatches, 4510, 4530, 4900, 4920AN Series Deadlatches.



Cylinders & Accessories



4000 Series

MS® Deadlock Strikes

4000 Series MS® Deadlock Strikes add aesthetics and finish to strike cutouts in jambs.

Function

The majority of Adams Rite MS® deadlocks are installed in aluminum construction where the strike cutout can be simply a slot in the jamb. However, for aesthetic reasons or in the case of the MS4002 for added security, many who specify an MS® deadlock add one of these strikes.

4000 Trim Strike

A simple strike plate that can be surface mounted or mortised flush in hollow metal or wood applications.

Materials

Made of aluminum. Available in choice of 313 Dark bronze anodized, 335 Black anodized, 628 Clear anodized.

4001 Box Strike

Similar to the 4000 Strike, but with dust box added. Customarily used only for wood construction where the dust box prevents chips, sawdust, and other debris from entering strike.

Materials

Trim plate is aluminum, dust box is steel plated for corrosion resistance. Available in choice of 313 Dark bronze anodized, 335 Black anodized, 628 Clear anodized, US3 (605) Bright brass, US26D (626) Satin chrome.

MS4002 Armored Strike

Similar to the 4000 and 4001 strike plates, but backed up by a massive steel doubler designed to prevent the method of forced entry known as “jamb peeling”. Fits within aluminum or other hollow jamb sections with trim face flush, the steel completely hidden.

- Available flat for single doors or radiused for pairs of doors.
- May be used with two-point and three-point MS® deadlocks, including the hookbolt version in sliding doors where hookbolt use dictates door/jamb gap of 1/8" or less.
- MS4002 Armored Strike is unhandled and may be used with RH or LH swinging or sliding doors.

Materials

Trim plate is aluminum, reinforcement doubler is steel-plated for corrosion resistance. Available in choice of 313 Dark bronze anodized, 335 Black anodized, 628 Clear anodized, US3 (605) Bright brass, US26D (626) Satin chrome.



4003 ANSI Strike

Designed for ANSI applications for use with the MS1850SN Deadlock.

Materials

Trim plate is stainless steel. Available in choice of US26D (626) Satin chrome, powder coat 121 to match 313 Dark bronze anodized.

4005 Threshold Strike

Designed for a drop-bolt such as 4015 Threshold Bolt or 4016 Header Bolt in non-metal installations such as wood or concrete.

Materials

Trim plate is stainless steel. Available in US32D (630) Satin stainless.

4006 Floor Strike

Similar to 4001 Box Strike, the 4006 Floor Strike is a trim plate with dust box added for strike slot cut into metal thresholds. Designed for use with the 1830 Bottom Rail Deadlock.

Materials

Trim plate is stainless steel. Available in choice of US32D (630) Satin stainless, powder coat 119 to match 335 Black anodized, 121 to match 313 Dark bronze anodized, and 130 to match 628 Clear anodized.

Features

Standard Package

Individually packaged with machine screws and wood screws.

Options

- Specify flat or radius shape of trim plate, compatible deadlock, and square or round corners when ordering.

How to Order & Compatible Products

4000 Series MS® Deadlock Strikes: Specify quantity and the following information. Order related products separately.

MODEL	TRIM PLATE SHAPE	COMPATIBLE DEADLOCK	TRIM PLATE CORNERS	FINISH
4001	-0	1	1	-313
4000 Trim Strike	0 Flat	1 All Standard MS® locks with 1-3/8" Bolt Throw	1 Square	313 Dark Bronze Anodized
4001 Box Strike	1 Radius	2 1850A-020 with 3/4" Bolt Throw Only	2 Round	335 Black Anodized
MS4002 Armored Strike		3 All MS-050 "Hookbolt" locks		628 Clear Anodized

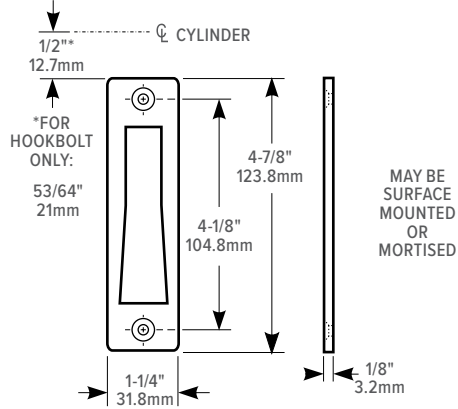
COMPATIBLE PRODUCTS

DEADLOCKS
Most Adams Rite MS® Deadlocks

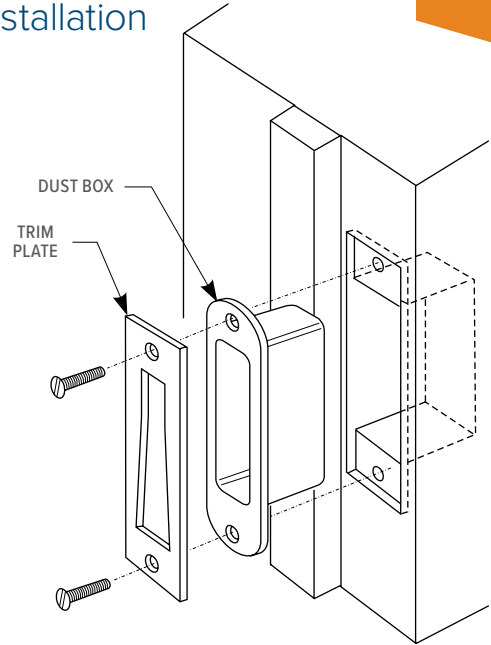
Dimensions

4000 Trim Strike

Strike plate only

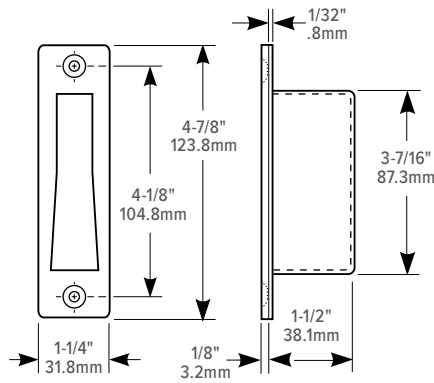


Mortise Jamb Installation



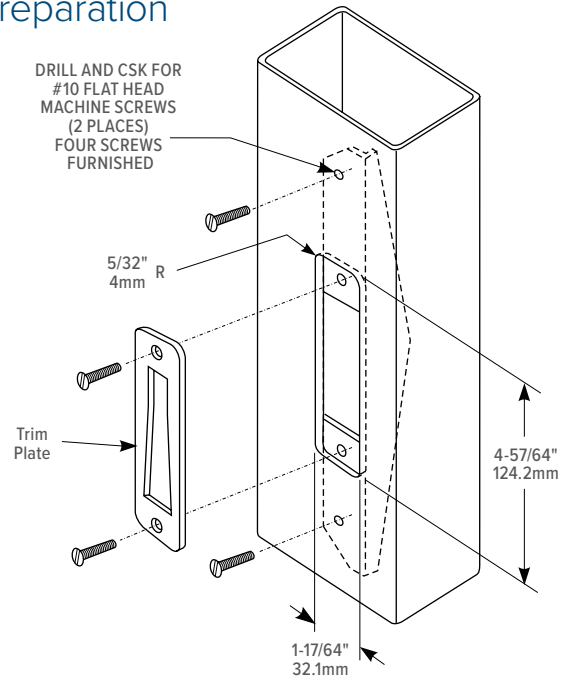
4001 Box Strike

Strike plate with dust box



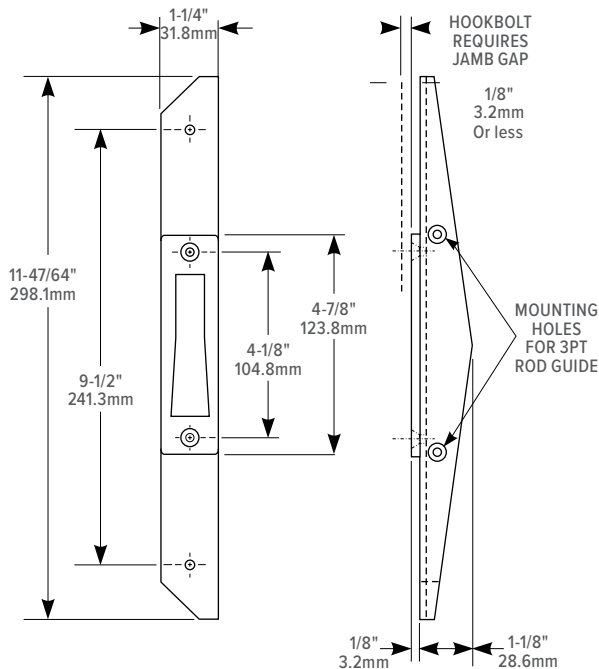
Hollow Jamb Preparation

DRILL AND CSK FOR
#10 FLAT HEAD
MACHINE SCREWS
(2 PLACES)
FOUR SCREWS
FURNISHED



4002 Armored Strike

Strike plate with reinforcement



4015

Threshold Bolt

Security for pairs of doors with single key turn is possible with the 4015 Threshold Bolt. The two-point locking solution secures the entire double door entrance when working in conjunction with an MS® Deadlock.

Function

Adding the 4015 Threshold Bolt to a pivoted bolt MS® deadlock provides Maximum Security for pairs of doors with the turn of a single key. Simultaneously dropping a stainless steel hexbolt into the threshold and pivoting the massive MS® bolt into the mating door's stile, the two-point locking solution secures the entire entrance. The 4015 Threshold Bolt is harnessed to the rear of the pivoted bolt. It may be added to any basic MS1850S, MS1850SN, MS1950 Series deadlock.

Both the 4015 Threshold Bolt and the 4016 Header Bolt may be added to a pivoted bolt MS® deadlock to provide Maximum Security for pairs of doors by the turn of a single key. Simultaneously extending the stainless steel hexbolts into the threshold and header and pivoting the massive MS® bolt into the mating door's stile, thereby providing a three-point locking solution.

Operation

360° turn of key or thumbturn in basic MS® deadlock throws counterbalanced bolt into opposite door and drops bolt into threshold. Key can be removed only when bolts are in a positively locked or unlocked position.



Lock available separately



Aluminium



Hollow Metal

Features

Cylinder Height

Standard threshold bolt rod is sufficient for cylinder height up to 53-7/16" [1357.3 mm]. It is fully threaded and can be cut off for low cylinder heights. Please contact factory for rods pre-cut to specific cylinder heights, available by special order for high volume applications.

Adjustment

Exact adjustment of threaded rod to cylinder heights is locked in place by hexagonal threshold bolt.

Strike

For drop-bolt, a 1/2" [12.7 mm] diameter hole in metal threshold is suitable. For non-metal installation, 4005 Strike is available separately.

Threshold Bolt

Hexagonal 3/8" [9.5 mm] flat to flat. Made of stainless steel.

Standard Package

Packed separately with bolt guide, screws, and attachment pin.

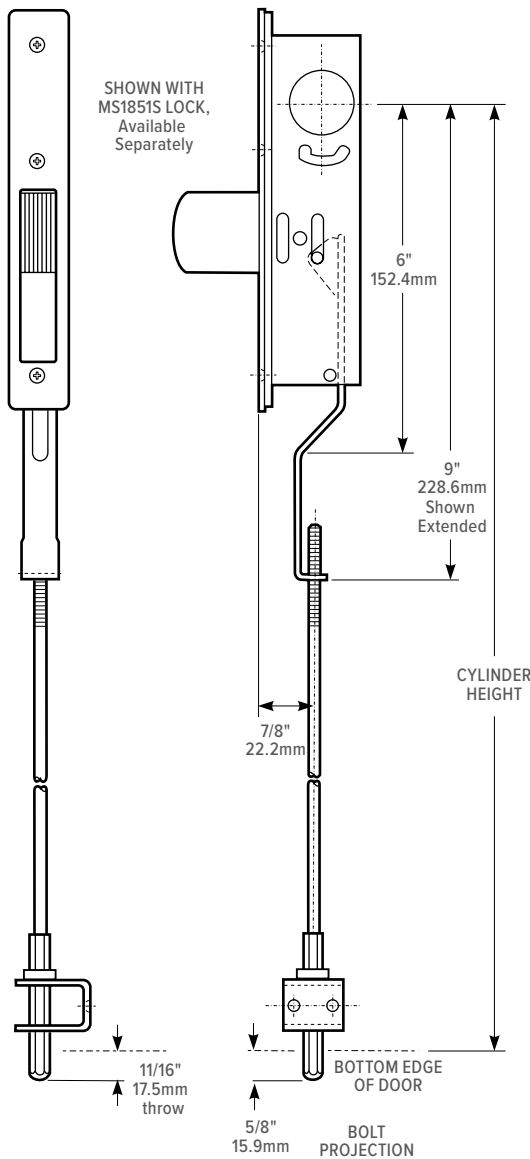
Shipping Weight

1 lb [0.45 kg].

Options

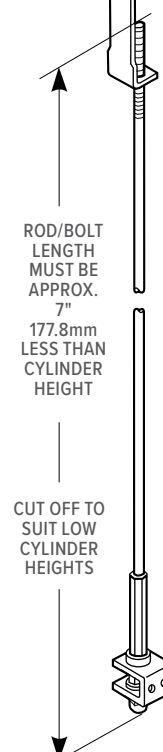
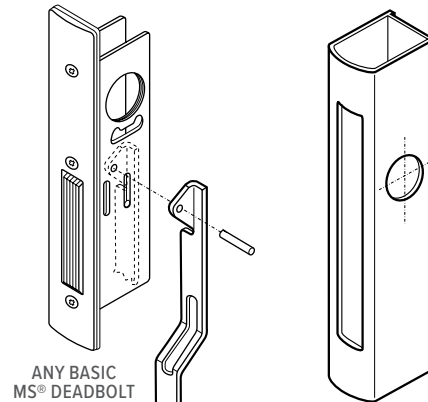
- For "universal" application, specify 4015-18-1B with fully threaded rod for cut off to any cylinder heights below 53" [1346.2 mm]. Please contact factory for cylinder height greater than 53" [1346.2 mm] to maximum 60" [1524mm] or to specify rods pre-cut to specific cylinder heights available by special order for high volume applications.

Dimensions



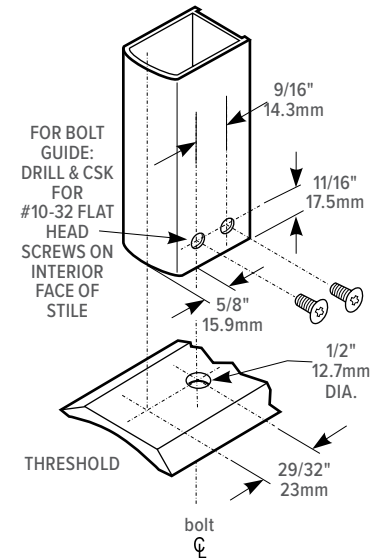
Installation

Install adaptor arm in lock from rear with bolt retracted as shown. Drive pin through slots in lock side plates passing through hole in the adaptor arm.



Stile Preparation

See basic MS® Deadlocks MS1850S, MS1850SN, MS1950, MS1950-050



How to Order, Related & Compatible Products

4015 Threshold Bolt: Specify quantity and the following information. Order related products separately.

MODEL	ADD DASH NUMBER FOR "UNIVERSAL SIZE"	PACKAGING
4015	-18	-IB
		IB Individually Boxed

Please specify cylinder height if ordering in volume for a specific cylinder height.

RELATED PRODUCTS

When purchasing this product, please consider the following related products, available separately:

ACCESSORIES
4016 Header Bolt, 4085 Header Bolt

COMPATIBLE PRODUCTS

DEADLOCKS	ACCESSORIES
MS1850S, MS1850S-050, MS1850SN, MS1850SN-050, MS1950, MS1950-050 Series Deadlocks	4005 Strike



Aluminium

Hollow
Metal

4016

Header Bolt

Security for pairs of doors with single key turn is possible with the 4016 Header Bolt. The two-point locking solution secures the entire double door entrance when working in conjunction with an MS® Deadlock.

Function

Adding the 4016 Header Bolt to a pivoted bolt MS® deadlock provides Maximum Security for pairs of doors with the turn of a single key. Simultaneously extending the stainless steel hexbolts into the header and pivoting the massive MS® bolt into the mating door's stile, the two-point locking solution secures the entire entrance. The 4016 Header Bolt can be added to any basic MS1850S, MS1850SN, MS1950 Series deadlock or for two-points top and bottom use with 1870/1870HM Cylinder-Operated Flushbolt. Not applicable to 7/8" backset locks.

Both the 4016 Header Bolt and the 4015 Threshold Bolt may be added to a pivoted bolt MS® deadlock to provide Maximum Security for pairs of doors by the turn of a single key. Simultaneously extending the stainless steel hexbolts into the header and threshold and pivoting the massive MS® bolt into the mating door's stile, thereby providing a three-point locking solution.

Operation

360° turn of key or thumbturn in basic MS® deadlock throws counterbalanced bolt into opposite door and hexagonal bolt into header. Key can be removed only when bolts are in a positively locked or unlocked position.



Features

Door Height

Select 7' [2133.6 mm] or 10' [3048 mm] door height. The standard version is designed for 7' [2133.6 mm] door height, with cylinder height as low as 35" [889 mm].

Header Bolt

Hexagonal 3/8" [9.5 mm] flat to flat. Made of stainless steel.

Adjustment

Exact adjustment of threaded rod to door height is locked in place by hexagonal header bolt.

Strike

For header bolt, a 1/2" [12.7 mm] diameter hole in metal frame is suitable. For non-metal installation, 4005 Strike is available separately.

Standard Package

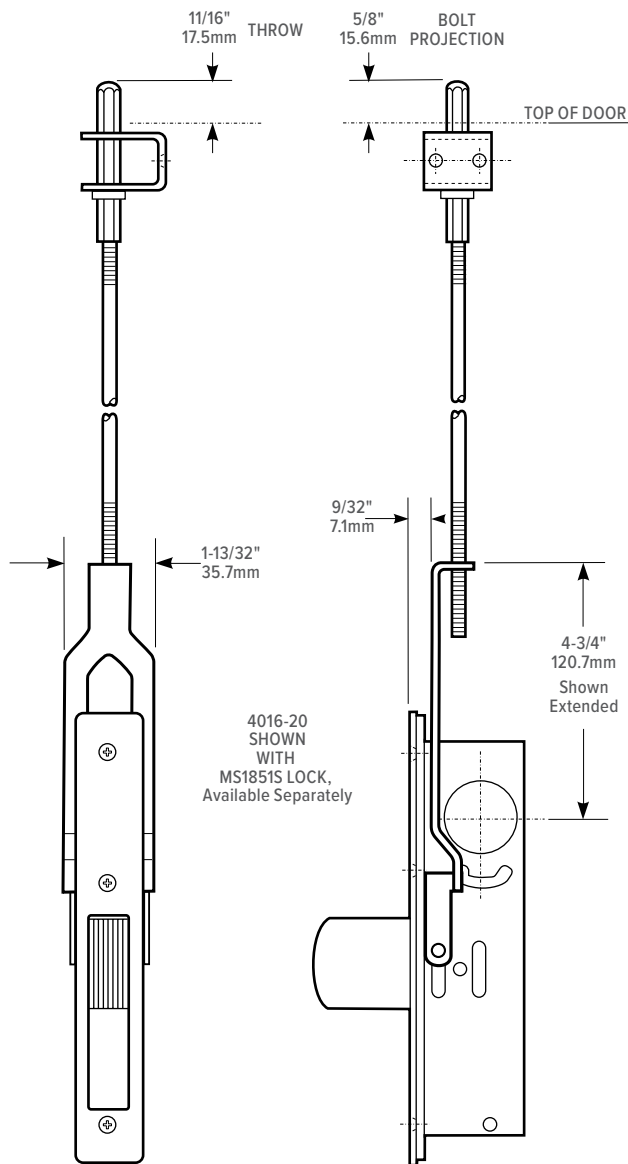
Packed separately with bolt guide, screws, and attachment pin.

Shipping Weight

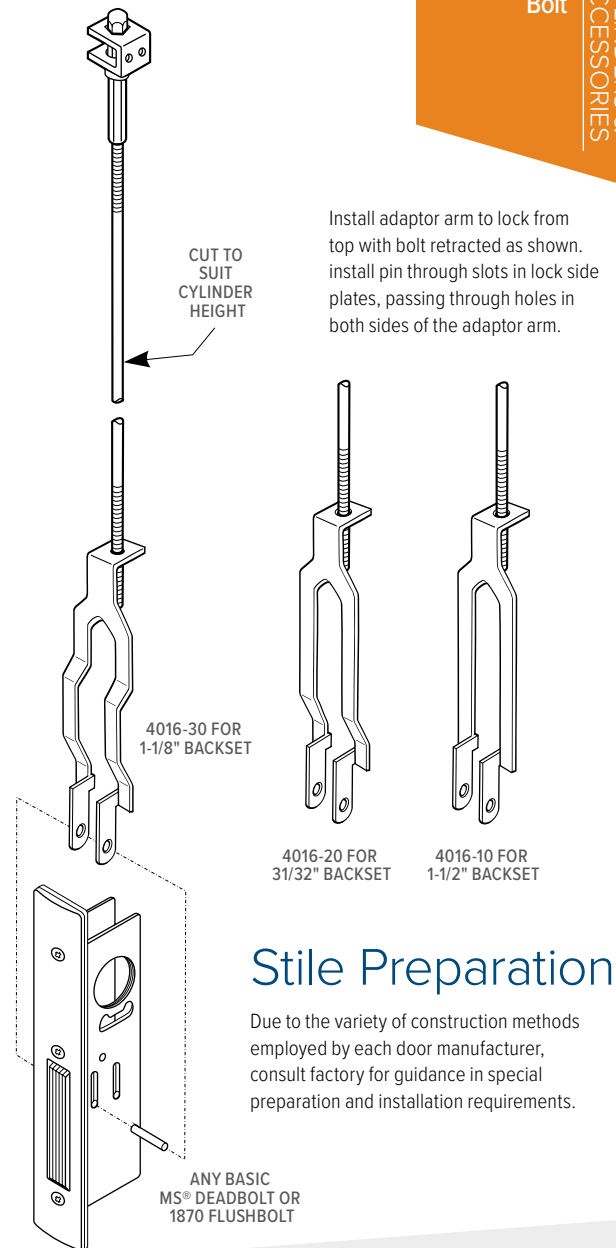
1 lb [0.45 kg].

All measurements are approximate and are provided for informational purposes only. Refer to the product Installation Instructions.

Dimensions



Installation



Stile Preparation

Due to the variety of construction methods employed by each door manufacturer, consult factory for guidance in special preparation and installation requirements.

How to Order, Related & Compatible Products

4016 Header Bolt Specify quantity and the following information. Order related products separately.

MODEL	LOCK BACKSET	DOOR HEIGHT
4016	-30	-01
	10 1-1/2"	01 7" Door
	20 31/32"	02 10' Door
	30 1-1/8"	

RELATED PRODUCTS

When purchasing this product, please consider the following related products, available separately:

ACCESSORIES
4015 Threshold Bolt, 4085 Header Bolt

COMPATIBLE PRODUCTS

DEADLOCKS	FLUSHLOCKS	ACCESSORIES
MS1850S, MS1850S-050, MS1850SN, MS1850SN-050, MS1950, MS1950-050 Series Deadlocks Not applicable to 7/8" backset locks.	1870, 1870HM Series Cylinder-Operated Flushbolts	4005 Strike



4085

Header Bolt (Pairs of Doors Only)

4085 Header Bolt provides top-of-door third locking point for pairs of doors when working in conjunction with an MS® pivoted bolt deadlock and 4015 Threshold Bolt in the active leaf.

Function

Designed to add a top-of-door third locking point for pairs of doors when used in conjunction with a pivoted bolt MS® deadlock and 4015 Threshold Bolt in the active leaf. The 4085 Header Bolt is mounted in the inactive leaf. This additional bolt, triggered by the pivoted MS® bolt, expands in a scissor-like action to center itself in its strike as it rises. This action saves the key holder from the difficulty of lining up the doors with three separate strikes, even if doors are misaligned due to faulty installation or settling. The 4085 Header Bolt can be added to any basic MS1850S, MS1850SN, MS1950 Series deadlock with the 4015 Threshold Bolt for a Maximum Security three-point locking solution.

Operation

360° turn of key or thumbturn in basic MS® deadlock throws counterbalanced bolt into opposite door, kicking positioner bolt into header strike. Positioner bolt may be manually thrown before closing active leaf to reduce effort on key-bow. Key can be removed only when bolts are in a positively locked or unlocked position.



Features

Header Bolt

1/2" x 1-1/2" [12.7 mm x 38.1 mm]
expanding bolt with 5/8" [15.9 mm]
throw. Housed in 1-1/2" x 2-3/4" x 5/8"
[38.1 mm x 69.9 mm x 15.9 mm] case.

Adjustment

Minor adjustment of rod
length is accomplished by
turning nylon rod end.

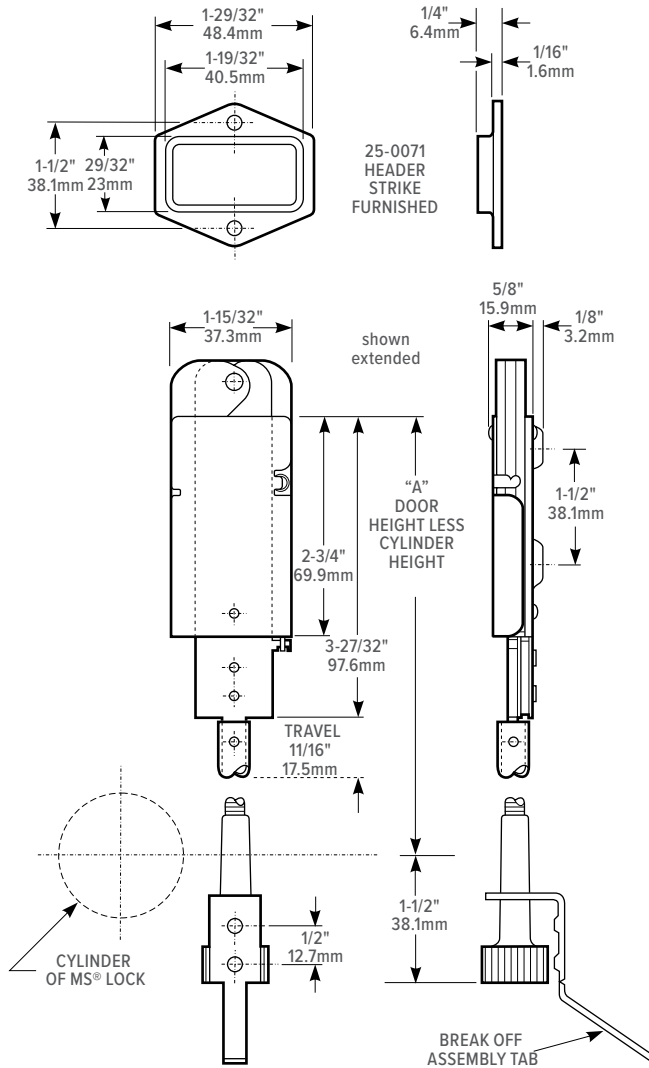
Standard Package

Packed separately with rod guide,
screws, and header strike.

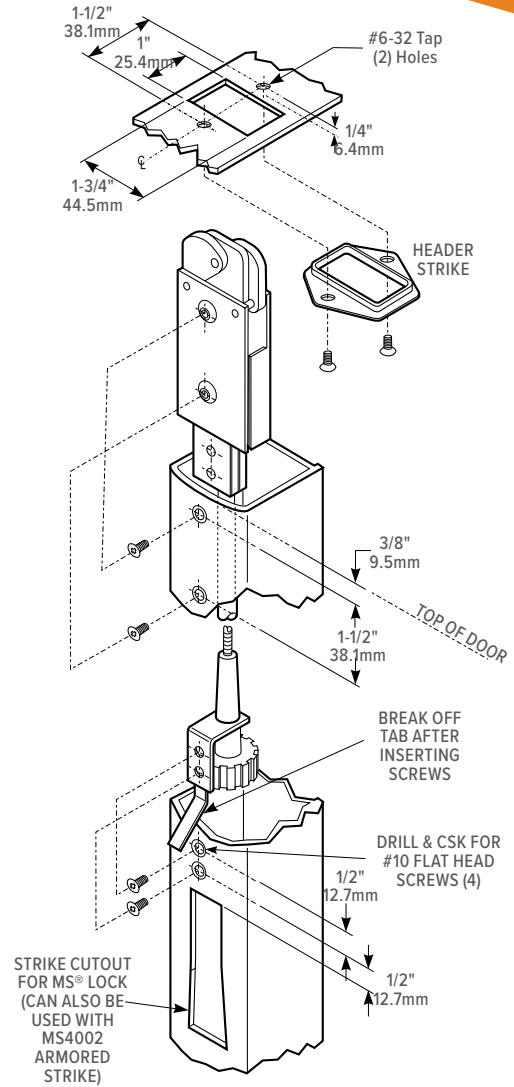
Shipping Weight

1 lb [0.45 kg].

Dimensions



Header Preparation for Strike



How to Order, Related & Compatible Products

4085 Header Bolt (Pairs of Doors Only) Specify quantity and the following information. Order related products separately.

MODEL	DIMENSION 'A'	PACKAGING
4085	-02	-IB
	01 30" - 52"	IB Individually Boxed
	02 52" - 67"	
	03 67" - 79"	
	04 79" - 92"	

Example

DOOR HEIGHT	CYLINDER HEIGHT	A
96"	-	40" = 56"

Reference

7' Door is 84" 9' Door is 108"
8' Door is 96" 10' Door is 120"

RELATED PRODUCTS

When purchasing this product, please consider the following related products, available separately:

ACCESSORIES
4015 Threshold Bolt

COMPATIBLE PRODUCTS

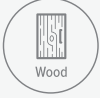
DEADLOCKS
MS1850S, MS1850S-050, MS1850SN, MS1850SN-050, MS1950, MS1950-050 Series Deadlocks
Not applicable to 7/8" backset locks.

4089 Exit Indicator

4089 Exit Indicator provides exit door notification for various Adams Rite deadlocks.

Function

Provides unmistakable notification of lock status. Under many local building safety codes, this allows the use of a security deadlock with a double cylinder to be installed on a main exterior door provided it's paired with an indicator and proper signage. It includes two permanent adhesive header signs: "THIS DOOR TO REMAIN UNLOCKED DURING BUSINESS HOURS." (that wording is according to Uniform Building Code). The second sign for NFPA and other local codes reads: "THIS DOOR TO REMAIN UNLOCKED WHEN THE BUILDING IS OCCUPIED." Please consult local Authority Having Jurisdiction (AHJ) for more information.



Features

Indicator

Words "LOCKED" in red letters or "OPEN" in green letters appear on white background when bolt is thrown or retracted respectively. Indicator is driven by lock bolt itself.

Materials

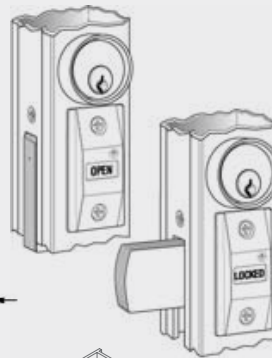
Indicator escutcheon is zinc alloy. Available in choice of powder coat 119 to match 335 Black anodized, 121 to match 313 Dark bronze anodized, and 130 to match 628 Clear anodized. Header sign is clear aluminum match with black letters.

Shipping weight

1/2 lb [0.23 kg].

Options

- Standard unit fits 1-3/4" [44.5 mm] door. Specify for thicker doors up to 2-1/2" [63.5 mm].

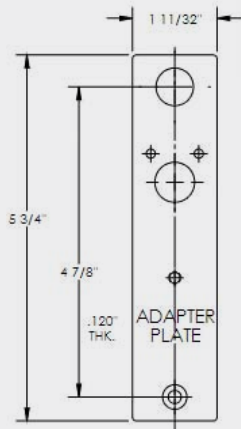


Additional Accessories

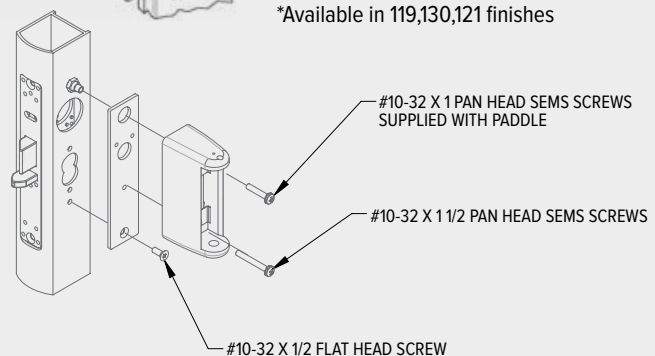
91-0912-XXX Adapter Plate for covering holes left by 4089 indicators.

For use with:
4590/4591/4560/4565/4568/4569

*Available in 119,130,121 finishes



DIMENSIONS

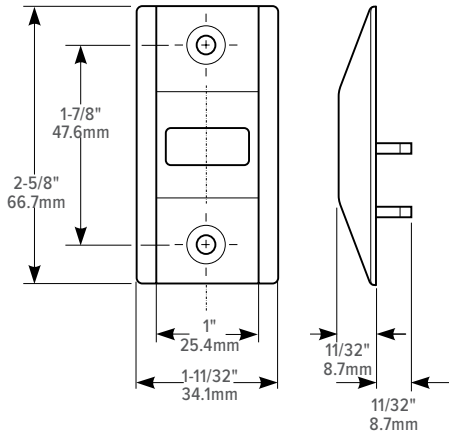


#10-32 X 1 PAN HEAD SEMS SCREWS SUPPLIED WITH PADDLE

#10-32 X 1 1/2 PAN HEAD SEMS SCREWS

#10-32 X 1/2 FLAT HEAD SCREW

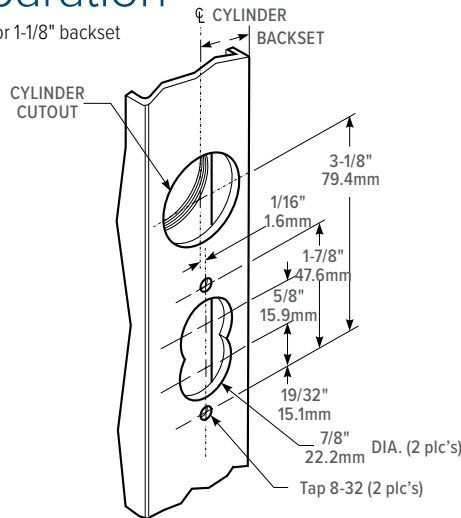
Dimensions



*This sign correct under Uniform Building Code. Also includes NFPA wording "This Door to remain unlocked when the building is occupied".

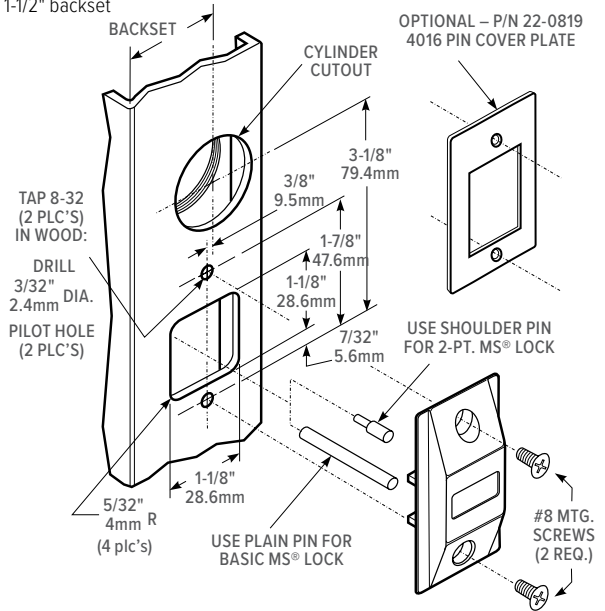
Aluminium Stile Preparation

For 31/32" or 1-1/8" backset



Wood & Hollow Metal Stile Preparation

For 1-1/2" backset



How to Order, Related & Compatible Products

4089 Exit Indicator: Specify quantity and the following information. Order related products separately.

MODEL	OPTIONS	FINISH
4089	-01	-130
	00 Standard 1-3/4" Door	119 To match 335 Black Anodized
	01 For Inverted Lock	121 To match 313 Dark Bronze Anodized
	20 For Doors up to 2-1/2"	130 To match 628 Clear Anodized

RELATED PRODUCTS

When purchasing this product, please consider the following related products, available separately:

ACCESSORIES
91-0912 Adapter Plate, 22-0819 Cover Plate, 20-0255-IP Header Sign, 20-0256-IP IBC Header Sign

COMPATIBLE PRODUCTS

DEADLOCKS	FLUSHLOCKS
MS1837, MS1850S, MS1850S-050, SCH1850S, MS1850SN, MS1850SN-050, SCH1850SN, MS+1890, MS1950, MS1950-050, Series Deadlocks	1870, 1870HM, 1877 Series Cylinder-Operated Flushbolts



4800

Series Strikes

4800 Series Strikes add aesthetics and finish to strike cutouts in metal or wood jambs.

4800

With vertical adjustment to accommodate door/jamb misalignment and a shim system for horizontal positioning to match various jamb bumper designs, the 4800 Series Strikes can be fit to nearly any sliding door using a mortised MS1847 Deadlock/Deadlatch.

Materials

Steel, heat treated. Shims are ABS plastic. Available in choice of Zinc (603) finish, US32D (630) Satin Stainless.

MS4804

This reinforcing strike provides strength equal to the strength of the stainless steel bolt of the MS1847 Deadlock/Deadlatch: tested to 1000 lbs [453.59 kg] of force. This strength by far exceeds the standards of the Architectural Aluminum Manufacturers Association as well as the strictest current municipal security ordinance.

Faceplate

Measures 1/16" x 3/4" x 3-3/8" [1.6 mm x 19.1 mm x 85.7 mm]. Steel, plated for corrosion resistance. MS4804-10 available in US32D (630) Satin Stainless.

Reinforcing Plate

Measures 1/16" x 1/2" x 3-3/8" [1.6 mm x 12.7 mm x 85.7 mm]. Steel, plated for corrosion resistance. Tapped for furnished #10-32 flathead screws.



4801



4804

Features

Standard Package

All strikes are individually packaged with screws and shim if required.

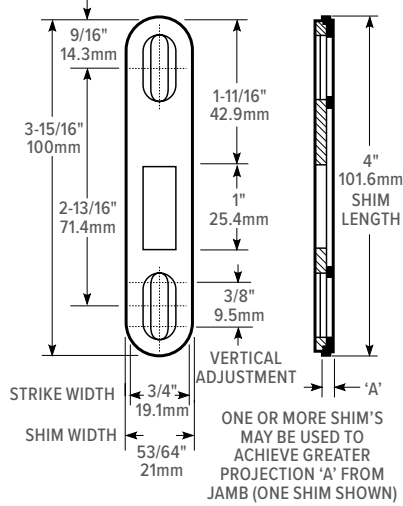
4801 Strikes are furnished with sheet metal screws for metal jamb installation.

4802 Strikes are furnished with machine screws and tee nuts which are installed on the back side of the jamb to provide the strongest possible anchorage in wood.

Shipping Weight

1/2 lb [0.23 kg]

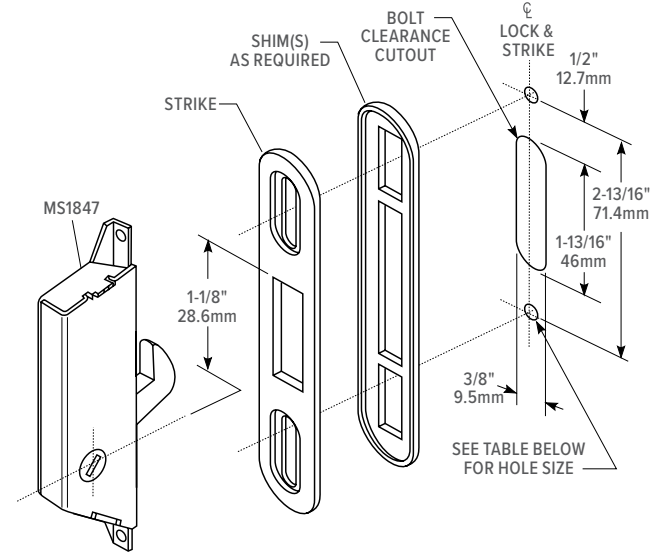
Dimensions 4800 Series



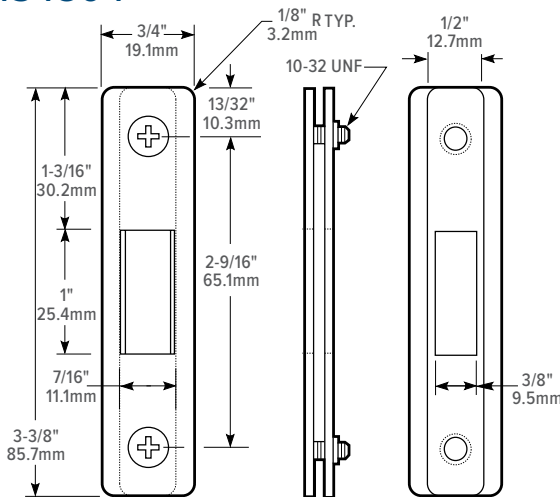
APPLICATION	PART NO.	SHIMS	DIMENSION 'A'
Metal jamba (furnished with two #8 x 1 sheet metal screws)	4801	NONE	0
	4801-01	1	3/32" (2.4mm)
	4801-02	2	3/16" (4.8mm)
Wood jamba (furnished with two #8-32 x 7/8" machine screws and two tee nuts)	4802	NONE	0
	4802-01	1	3/32" (2.4mm)
	4802-02	2	3/16" (4.8mm)
4802-03	3	9/32" (7.1mm)	

Jamb Preparation 4800 Series

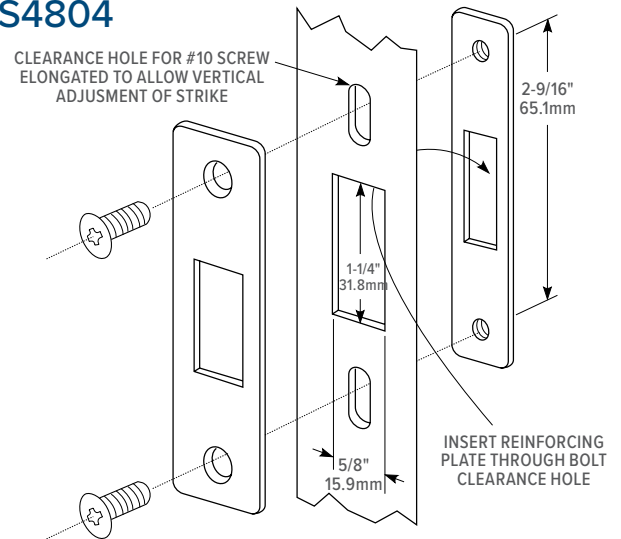
	HOLE SIZE	
Metal jamb application 4801 series	1/8" 3.2mm	(No. 31 DRILL)
Wood jamb application 4802 series	7/32" 5.6mm	(No. 3 DRILL)



Dimensions MS4804



Jamb Preparation MS4804



How to Order & Compatible Products

4800, MS4804 Strikes: Specify quantity and the following information. Order related products separately.

MODEL	TYPE OF JAMB	DIMENSION 'A'	FINISH
480	1 Metal	01 3/32" (2.4mm)	603 Zinc Plated Steel
		02 3/16" (4.8mm)	630 Satin Stainless
	2 Wood	02 3/16" (4.8mm)	630 Satin Stainless
		03 9/32" (7.1mm)	

COMPATIBLE PRODUCTS

DEADLOCKS
MS1847 Deadlock/Deadlatch

4901, 4902

Deadlatch Strikes

4901, 4902 Deadlatch Strikes add aesthetics and finish to strike cutouts in jambs.

Function

Designed for use in conjunction with 4300, 4500, 4700, and 4900 Series Deadlatches, these strikes offer a choice of mounting methods. A backup mounting plate included with the 4901 and 4902 allows installation flush in a hollow section jamb. Accommodates the 1/2" [12.7 mm] wide latchbolt of 4500/4700 Series Deadlatches and 5/8" [15.9 mm] wide latchbolt of 4900 Series Deadlatches by removing snap-in nylon insert.



Aluminium

Hollow
Metal

Wood

Features

4901

-01

Flush mount flat strike. Standard slat strike includes molded black plastic dust box and closure of the unused lower strike opening, with steel mounting plate. Long face is designed to span strike area of MS® deadlocks with which the deadlatch is interchangeable.

-02

Flush mount radius strike. Same as 4901-01, except with radiused strike plate, for nose of opposite door when latching pairs.

4902

-01

Short box flat strike. Standard flat strike furnished with the 4900 Series Heavy Duty Deadlatches. Includes molded black plastic dust box and steel mounting plate. Short face design.

-02

Short box radius strike. Same as 4902-01, except with radiused strike plate, for nose of opposite door when latching pairs.

Materials

Strike plate is stainless steel. All strikes are unhandled, suitable for right or left hand doors.

Shipping Weight

1/2 lb [0.23 kg]

Options

- Use 4506-02 ANSI strike for wood or steel jambs.

RELATED PRODUCTS

When purchasing this product, please consider the following related products, available separately:

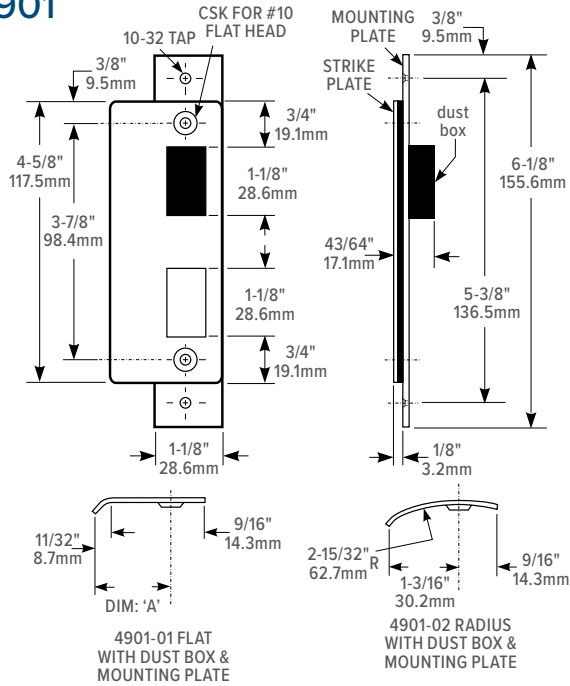
OPTIONS & ACCESSORIES

Extended Lip Strikes

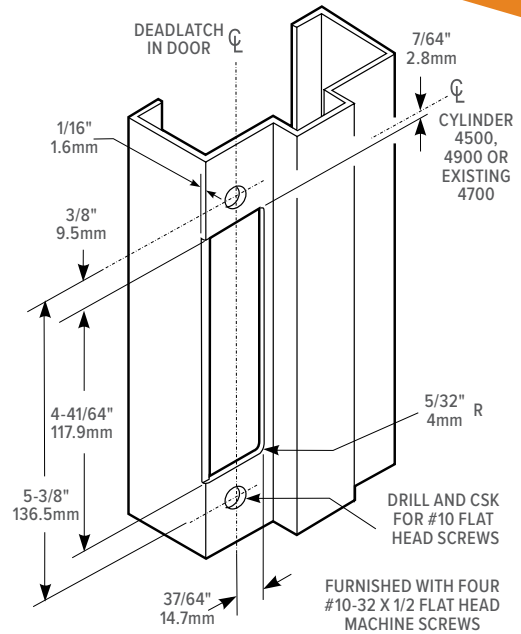
COMPATIBLE PRODUCTS

DEADLATCHES	EXIT DEVICES
4300 Electrified Deadlatches, 4510, 4530, 4900, 4920AN (4506-02 only) Series Deadlatches.	8300 (4506-02 only), 8400 Mortise Exit Device

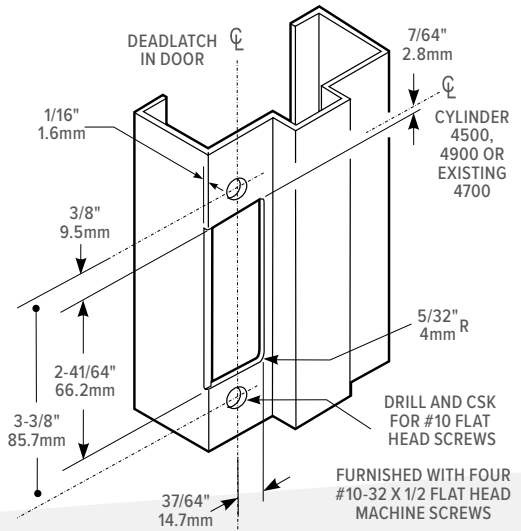
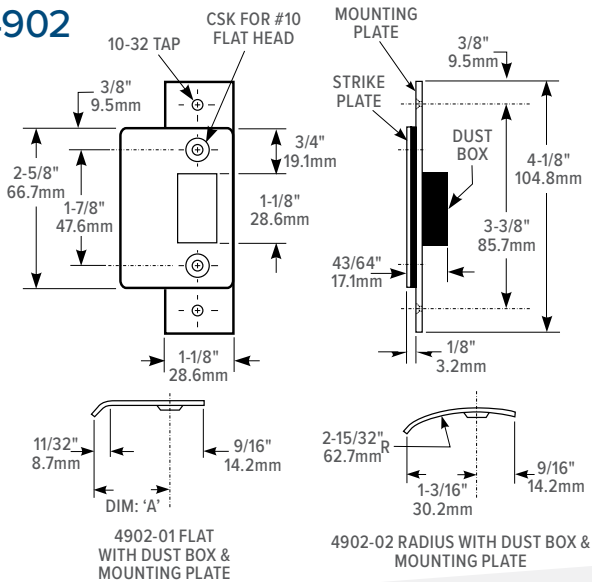
Dimensions 4901



Installation



4902



How to Order, Related & Compatible Products

4901, 4902 Deadlatch Strikes Specify quantity and the following information. Order related products separately.

MODEL	STRIKE TYPE	FACEPLATE SHAPE				FINISH	
490	1	-02				630	
		STANDARD LIP	LONG LIP FOR CENTER HUNG DOOR	DIM. 'A'	LONG LIP FOR CENTER HUNG DOOR	DIM. 'A'	
	1 Long	01 Flat	03 2-1/4" Wide Jamb	1-1/8	13 3-1/2" Wide Jamb	1-3/4	119 To match 335 Black Anodized
	2 Short	02 Radius	05 2-1/2" Wide Jamb	1-1/4	15 3-3/4" Wide Jamb	1-7/8	121 To match 313 Dark Bronze Anodized
			07 2-3/4" Wide Jamb	1-3/8	17 4" Wide Jamb	2	630 Satin Stainless Steel
			09 3" Wide Jamb	1-1/2	19 4-1/4" Wide Jamb	2-1/8	
			11 3-1/4" Wide Jamb	1-5/8	21 4-1/2" Wide Jamb	2-1/4	

4024, 4025, 4026

Cylinder Pulls

4024, 4025, 4026 Cylinder Pulls are designed to operate Adams Rite MS1847 Deadlock/Deadlatch and 5017 Wood Door Deadlock/Deadlatch.

4024. The five pin tumbler 4024 Cylinder Pull is smaller than the 4025 Cylinder Pull and it is symmetrical, designed for mounting door pull or other trim plate. Can be mounted directly on stile where lock mechanism is mounted on inside surface of stile rather than mortised.

4025. The five pin tumbler 4025 Cylinder Pull has mounting holes spaced to allow clearance around MS1847 Deadlock/Deadlatch mechanism for long through-the-stile mounting screws.

4026. The five pin tumbler 4026 Cylinder Pull is designed for use with 5017 Wood Door Deadlock/Deadlatch for wood door applications.



4024



4025



Aluminium

Hollow
Metal

Wood

Function

Designed for use with Adams Rite MS1847 Deadlock/Deadlatch and 5017 Wood Door Deadlock/Deadlatch, these surface mounted pulls allow a sliding door to be keyed-in with other doors which have cylindrical or mortise locks.

Features

Trim Finish

Zinc alloy housing. Brass cylinders.

Cylinder Both Sides

A pair of 4025 Cylinder Pulls can be mounted opposite each other with long machine screws. Security is maintained since each side offers access to only one screwhead. Both screws would have to be removed to operate the lock without its key. Specify 4025 CYLxCYL set.

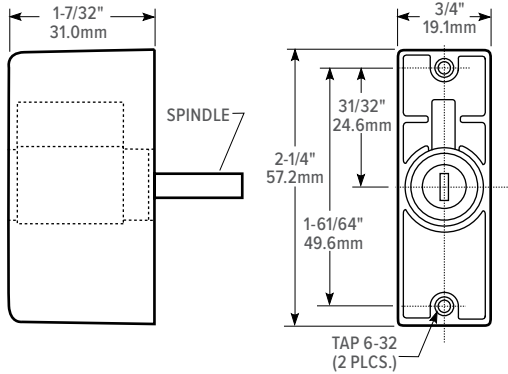
Options

• Cylinder Make

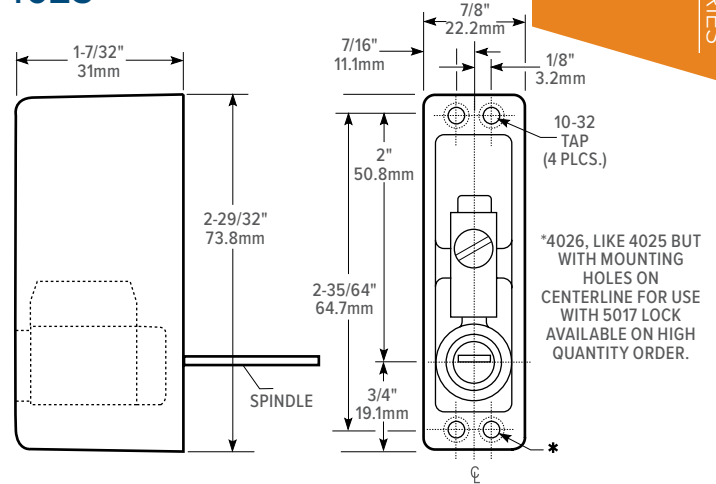
- Pulls available with Schlage or Weiser Keyway cylinders.
- Available in choice of powder coat 119 to match 335 Black anodized, 121 to match 313 Dark bronze anodized, and 130 to match 628 Clear anodized.

Dimensions

4024

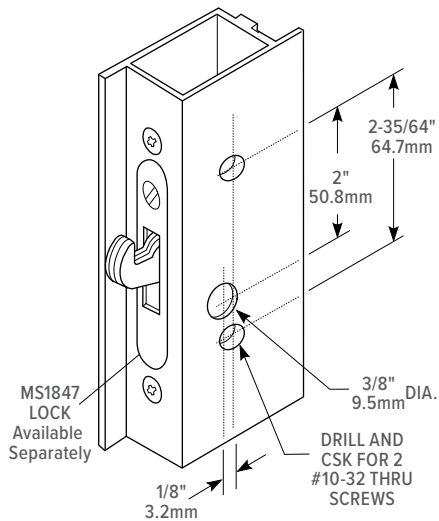


4025

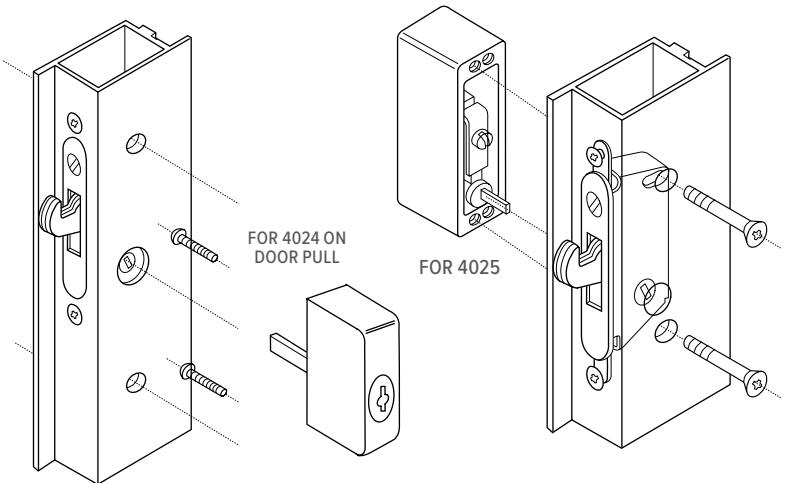


Stile Preparation

For 4025 mounted directly on stile by two through-screws



Installation



How to Order & Compatible Products

4024, 4025, 4026 Cylinder Pulls: Specify quantity and the following information. Order related products separately.

MODEL	PULL NO./CYLINDER INCLUDED	KEYING	FINISH
4024	-00	-01	-130
4024 Trim Plate Mounted	00 Schlage "C: Keyway	01 Keyed different	119 To match 335 Black Anodized
4025 Stile Mounted with through-screws	06 Weiser Keyway	02 Keyed alike in pairs	121 To match 313 Dark Bronze Anodized
4026 For Wood Applications			130 To match 628 Clear Anodized

See current price list to order 4025 cyl x cyl, cylinder both sides pullset.

COMPATIBLE PRODUCTS

DEADLOCKS	
MS1847 Deadlock	5017 Wood Door Deadlock (4026 only)

4036 Mortise Cylinder

4066 Thumbturn



4036



4066



Aluminium

Hollow
Metal

Wood

The 4036 Mortise Cylinder provides five-pin security with most Adams Rite deadlocks or deadlatches. The 4066 Thumbturn operates deadlocks or deadlatches without a key.

Function

4036

A standard 1" [25.4 mm] length, 1-5/32" [29.4 mm] diameter cylinder with five-pin tumbler security. Designed to operate any Adams Rite deadlock or deadlatch requiring a mortise cylinder. Close tolerance manufacturing achieve set screw grooves and cam geometry that are true on their respective center lines. This ensures proper mating and operation with the locking or latching mechanism. Select cam to suit particular Adams Rite deadlock or deadlatch.

4066

To operate deadlock or deadlatch without key. Interchanges with standard 1" [25.4 mm] length, 1-5/32" [29.4 mm] diameter mortise cylinder. Cams are available to suit the particular Adams Rite deadlock or deadlatch. See next page for cam specifications.

Features

Shell

4036: Aluminum with 313 Dark bronze anodized, 335 Black anodized, 628 Clear anodized finish. Plug is US26 (625) Bright chrome.

4066: Choice of three finishes: 130 to match 628 Clear anodized, 313 Dark bronze anodized, 335 Black anodized.

Trim Ring

Furnished. 1/4" [6.4 mm] thick, suitable for 1-3/4" [44.5 mm] thick doors. Available by special order for other door thicknesses.

Keying

All cylinders furnished with two keys per cylinder. Available in keyed different (KD), or keyed alike pairs (KA2). Keyed alike 50 are available

by special order in quantity of 50 cylinders only. Please contact factory for ordering information.

Standard Package

Individually packed with trim ring. 4036 furnished with keys.

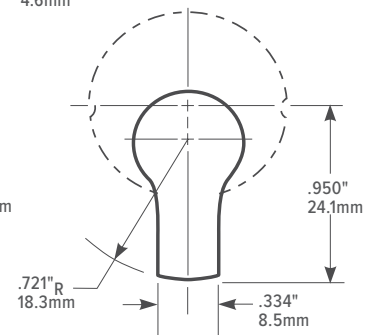
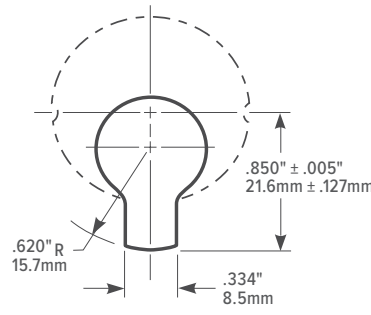
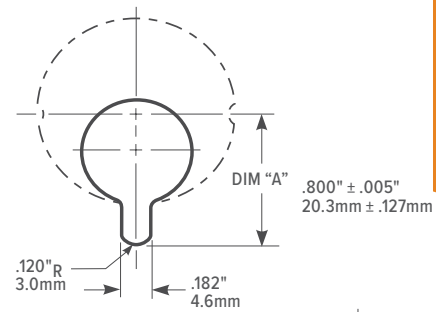
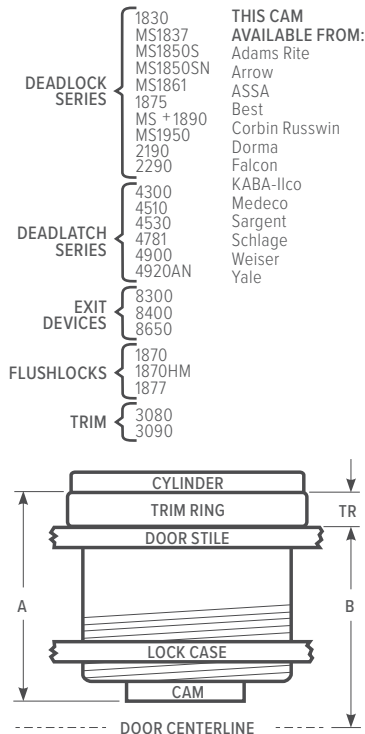
Shipping Weight

1/2 lb [0.23kg]

Cylinder by Others

Adams Rite deadlocks and deadlatches are designed to accept standard 1" [25.4 mm] length, 1-5/32" [29.4 mm] diameter mortise cylinders of all popular makes. This means that the entrance can be keyed to match the system used throughout the building on other types of doors. Care must be taken, however, to specify the proper cam for each type of lock, as these are not generally interchangeable. The cam shapes shown are available from the listed cylinder manufacturers and will be supplied by them with the cylinder when specified or available separately. Because of variations in the attachment of cams to cylinders and other construction differences, it is advisable to NOT attempt using one manufacturer's cylinder with another manufacturer's cam.

Dimensions



DIMENSIONS OF CAM TO OPERATE: 4070 SERIES DEADBOLT
This cam available from above cylinder manufacturers on special order

DIMENSIONS OF CAM TO OPERATE: 2331 DEADBOLT
This cam available from all cylinder manufacturers (standard cam)

CYLINDER TRIM RING FOR NARROW STILES
Narrow stile doors require a trim ring to fill the gap remaining between the cylinder shoulder and stile when a standard mortise cylinder is used. If the security of the hardened steel Adams Rite MS4043 Cylinder Guard is not required, this ring may be simply a length of 1.171 I.D. tubing. Its length varies depending on door thickness or cylinder make and number of pins. The specific length required can be quickly determined by the following formula:

FOR MS® LOCKS:
 $TR^* = A + .125 - B$

FOR 4500 SERIES LATCHES:
 $TR^* = A + .132 - B$

*TOLERANCE: ± .060
FOR 2190 TR* = A - B

"TR" is trim ring length.
"A" is cylinder height (less shoulder but including cam).
"B" is one-half of door thickness.

How to Order & Compatible Products

4036 Mortise Cylinder: Specify quantity and the following information. Order related products separately.

MODEL	LOCK TYPE	KEY OPTIONS*	FINISH
4036	-01	-01	-628
	01 For MS® Lock, 4900 Deadlatches, 2190	01 Keyed different	313 Dark Bronze Anodized
	02 For 4070 Deadlock	02 Keyed alike in pairs	335 Black Anodized
	03 For 2331 Deadlock		628 Clear Anodized

*Keyed alike 50 are available by special order in quantity of 50 cylinders only. Please contact factory for ordering information.

4066 Thumbturn: Specify quantity and the following information. Order related products separately.

MODEL	LOCK TYPE	FINISH
4066	-01	-130
	01 For MS® Lock, 4900 Deadlatches	130 To match 628 Clear Anodized
	02 For 4070 Deadlock	313 Dark Bronze Anodized
	03 For 2331 Deadlock	335 Black Anodized

COMPATIBLE PRODUCTS

DEADLOCKS	DEADLATCHES	FLUSHLOCKS	EXIT DEVICES	TRIM
1830, MS1837, MS1850S, MS1850S-050, MS1850SN, MS1850SN-050, MS1861, 1875, MS+1890, MS1950, MS1950-050, 2190, 2290 Series Deadlocks	4300 Electrified Deadlatches, 4510, 4530, 4900, 4920AN Series Deadlatches 4781 Two Point Deadlatch (4036 only)	1870, 1870HM, 1877 Series Cylinder-Operated Flushbolts	8300, 8400 Mortise Exit Devices, 8500, 8600 CVR Exit Devices w/8650 Cylinder Escutcheon	3080, 3080E Series Entry Trim, 3090-150



MS4043

Cylinder Guard



MS4043 Cylinder Guard is a hardened-steel ring to protect cylinder from vandalism.

Function

The standard mortise cylinder is made of brass. It is literally a soft spot in narrow stile door security. Using special pliers, a pipe wrench or other leverage device, a burglar can tear the cylinder out of the door, leaving an opening through which the deadlock may be operated.

The MS4043 Cylinder Guard offers a three-way defense against this problem:

1. The outer shield ring is fully beveled to offer poor purchase for either prying or twisting.
2. The ring is hardened steel so that the combination of shape and hardness make it virtually impossible to grip, even with sharpened tools.
3. In the event that a prying tool such as a cold chisel is driven into the stile behind the shield ring, the would-be burglar is obliged to pull a heavy steel plate through a round hole in the 1/8" metal door stile. This degree of leverage is far beyond that available with most hand tools.

Features

Security Ring

Made of hardened-steel. Free-swiveling when properly installed.

Retainer Ring

Hardened-steel, plated for corrosion resistance. Permits security ring to swivel.

Trim Finish

Powder coat 119 to match 335
Black anodized, 121 to match
313 Dark bronze anodized, 130
to match 628 Clear anodized

Standard Package

Individually packaged with spacers for flush fitting in thin stile walls. Cylinders available separately.

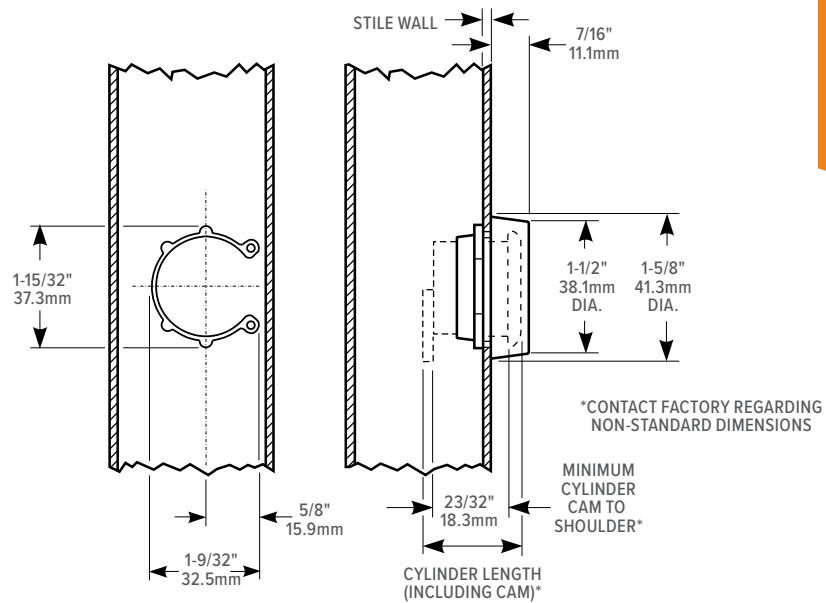
Shipping Weight

1/8 lb. [0.06 kg]

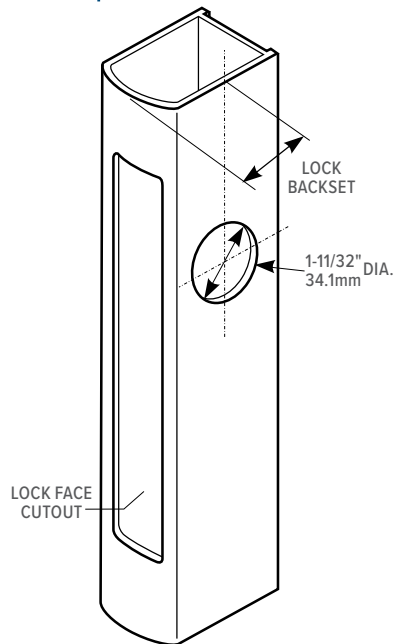
Options

- MS4043 Cylinder Guard fits a standard 1/8" stile wall. For 1/4" thick stile walls, specify MS4043-01.

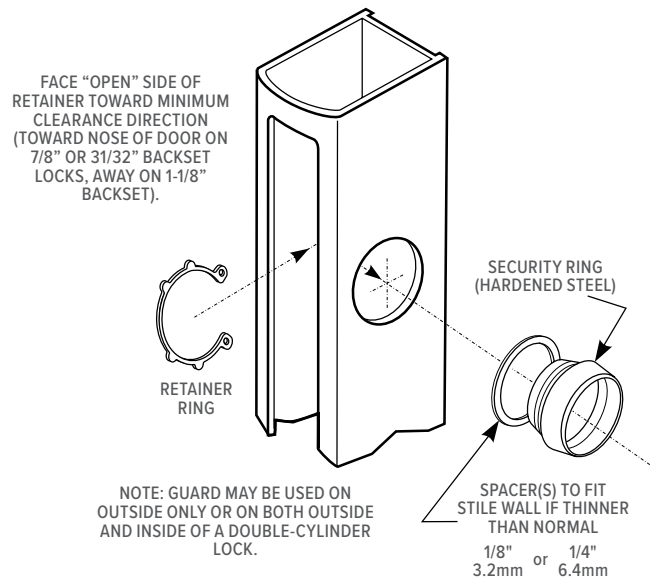
Dimensions



Stile Preparation



Installation



How to Order & Compatible Products

MS4043 Cylinder Guard Specify quantity and the following information. Order related products separately.

MODEL	STILE WALL & CYLINDER		FINISH
MS4043	-01		-130
	Stile Wall	Cylinder	119 To match 335 Black Anodized
	00 1/8"	5 or 6 pin	121 To match 313 Dark Bronze Anodized
	01 1/4"	5 or 6 pin	130 To match 628 Clear Anodized
	02 1/8" (3.2mm)	1-5/16" to 1-7/16" long	

COMPATIBLE PRODUCTS

DEADLOCKS	DEADLATCHES	FLUSHLOCKS	EXIT DEVICES
1830, MS1837, MS1850S, MS1850S-050, MS1850SN, MS1850SN-050, MS1861, 1875, MS+1890, MS1950, MS1950-050, 2190, 2290 Series Deadlocks	4300 Electrified Deadlatches, 4510, 4530, 4900, 4920AN Series Deadlatches 4781 Two point Deadlatch	1870, 1870HM Series Cylinder-Operated Flushbolts	8300, 8400 Mortise Exit Devices

B1921 | B1923

Reinforcing Pivots

B1921, B1923 Reinforcing Pivots provide an economical way to transfer load from hinges of sagging hollow metal or wood doors.

Hollow
Metal

Wood

Function

This full-surface reinforcing pivot adds years of life to openings where the hinges or hinge reinforcements have failed. Reinforcing pivots take the load off the top hinge and transfer it to screws that are in shear so they will not pull off. The quick and economical way to solve door sag problems.

Features

Type

Full surface reinforcing pivots for flush doors.

Finish

Zinc plating over steel.

Materials

Heavy duty 3/16" [4.8 mm] cold-rolled steel.

Cycle Testing

1,500,000 cycles

Capacity

Supports weights up to 300 lbs [136.08 kg]

Hole Pattern

Symmetrically located. Non-handed.

Hinge Size

B1921: designed with 1/2" [12.7 mm] offset to match the pivot point of a 4" [101.6 mm] wide butt hinge.

B1923: designed with a 3/4" [19.1mm] offset to match the pivot point of a 4-1/2" [114.3 mm] wide butt hinge.

Standard Package

Comes complete with all necessary fasteners. Optional tamper-proof screw available.

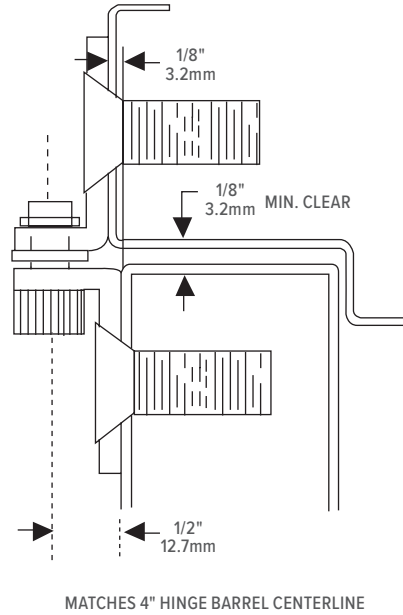
Shipping Weight

1-1/2 lb [0.68 kg]

Dimensions

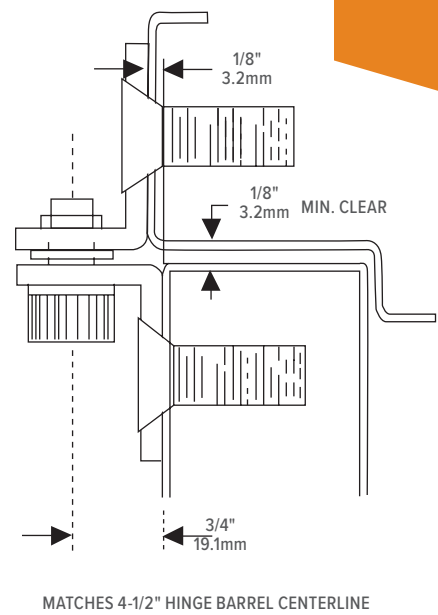
B1921

Side View



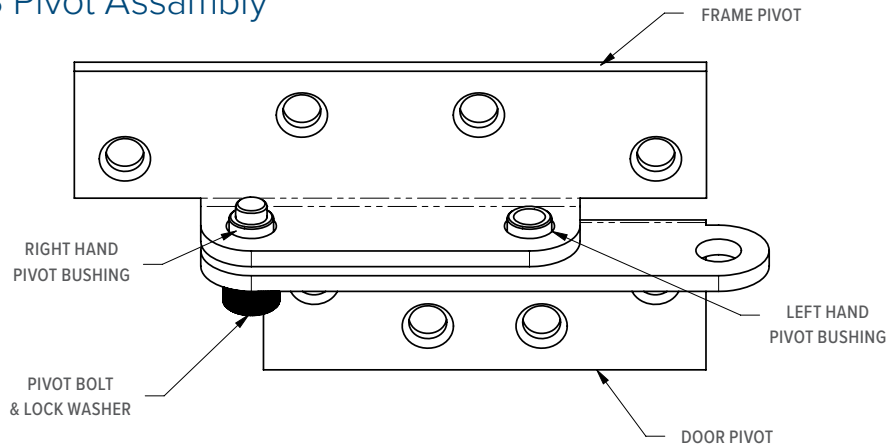
B1923

Side View



Installation

B1921 | B1923 Pivot Assembly



How to Order & Related Products

B1921 | B1923 Reinforcing Pivots: Specify quantity and the following information. Order related products separately.

MODEL	HINGE SIZE
B192	1
	1 4"
	3 4-1/2"

RELATED PRODUCTS

When purchasing this product, please consider the following related products, available separately:

ACCESSORIES
Tamper proof screws
B-133 Large Oilite bronze bushing
P-133 Large socket head pin and washer



| Power





PS-1

Power Supply

One Amp linear power supply with integrated battery backup circuitry for electric strikes, magnetic locks, and other access control devices.



Function

Provides filtered and regulated voltage output to power electric strikes, magnetic locks, or other access control devices. Output is selectable in the field for 12 or 24 VDC. Charging circuit is built in for battery backup power (batteries not included) with 12 or 24 VDC operation. LED on circuit board indicates power input.

Certifications

UL 294 listed

UL listed

Features

Housing

Hinged, steel cabinet measures 12-1/8" x 4" x 12-1/8" [308 mm x 101.6 mm x 308 mm]. Beige, baked enamel finish with knockouts for conduit and key lock. Sized to accommodate two sealed, lead acid batteries (4AH, not included).

Fire Alarm

UL listed low current fire alarm disconnect requires only a minimum size fire alarm relay and wire gauge.

Shipping weight

12 lbs [5.4 kg].

Electrical

Input Power

110 VAC, 60 Hz, 0.5A

Battery Fuse

2A, 5 x 20MM

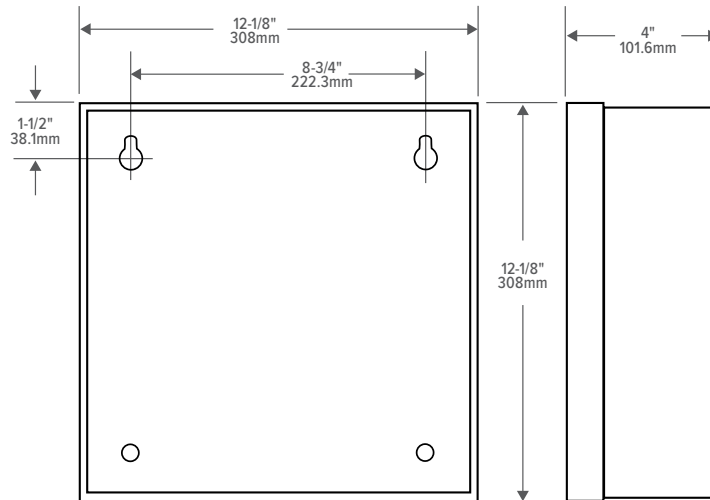
Primary Fuse

800 mA, 5 x 20MM

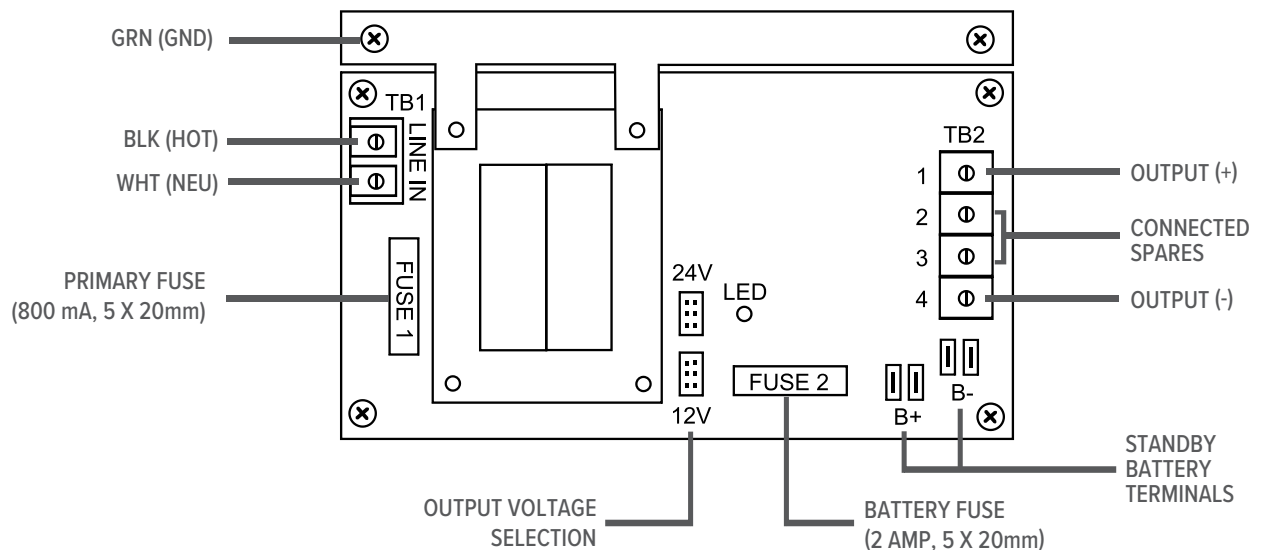
Output Voltage

Field-selectable 1 Amp @ 12VDC or 24VDC. (Maximum 13.8 VDC/27.6 VDC)

Dimensions



Layout & Wiring



How to Order, Related & Compatible Products

PS-1 Power Supply: Specify quantity and the following information. Order compatible products separately.

MODEL	POWER SUPPLY
PS	-1
1 Standard Power Supply	

RELATED PRODUCTS When purchasing this product, please consider the following available separately:

ACCESSORIES	POWER
Batteries not included	4612 Power Transfer Device

COMPATIBLE PRODUCTS

DEADLATCHES	EXIT DEVICES	ELECTRIC STRIKES	TRIM
4300 Electrified Deadlatch	8700, 8800 Series electrified rim exit devices with EL option	7100/7101, 7110/7111, 7130/7131, 7140, 7160, 7170 Electric Strikes, 7240, 7270 Fire-Rated Electric Strikes, 7400/7401, 7410/7411, 7430/7431, 7440, 74R1, 74R2 Electric Strikes	3080E Series Entry Trim

PS-EXIT

Power Supply

Power supply for all 8000 and 3000 Series Exit Devices with Motorized Latch Retraction (MLR) or Electric Latch Retraction (LR) option.



Product Notes

- PS-EXIT is designed to replace PS-SE and PS-LR models.
- Adams Rite recommends that for optimal performance all exit devices with the MLR or LR options are installed and powered using PS-EXIT power supplies. Failure to do so may cause permanent damage to the exit device.

Function

This power supply is designed to provide power and control for up to two MLR or LR exit devices. Each exit device is controlled by a timer that is initiated by a switch closure. The timer is user-configured and holds the exit device(s) in the unlatched position for 2 – 60 seconds. At the end of the selected time, the exit device(s) will re-latch. If the switch controlling the exit device is closed longer than the selected time, the exit device remains unlatched until the controlling switch is released.

- An optional mode is available that allows both retraction timers to activate in response to a closure of either switch.
- Exit devices under access system control remain latched during a complete power failure but always allow free mechanical egress.

Certifications

UL294

CAN/CSA-C22.2 No. 223

Features

Housing

Hinged, steel cabinet measures 10" x 10-3/8" x 4-1/8" [254 mm x 263.5 mm x 104.8 mm]. Blue, baked enamel finish with knockouts for conduit connections. Sized to accommodate two sealed, lead acid batteries (7AH, not included).

Timer

Initiated by switch closure to control each exit device. Timer is user-configured and holds exit device in unlatched position for 2 - 60 seconds. At end of selected time, exit device will re-latch.

Operating Modes

The PS-EXIT is designed to power up to two 8000/3000 MLR or LR exit devices in the following two modes:

- Single Input (Sequential Operation): either input retracts the corresponding exit device followed by retraction of the second device. Control double-door exit with one input.
- Dual Input (Independent Operation): Each exit device is controlled by its own input switch. Control two separate exits with two inputs.

Shipping Weight

10 lbs [4.5 kg].

Electrical

Input Power

115 VAC

Rated Output Current

Up to 0.8A per channel continuous rated output current

Typical Output Voltage

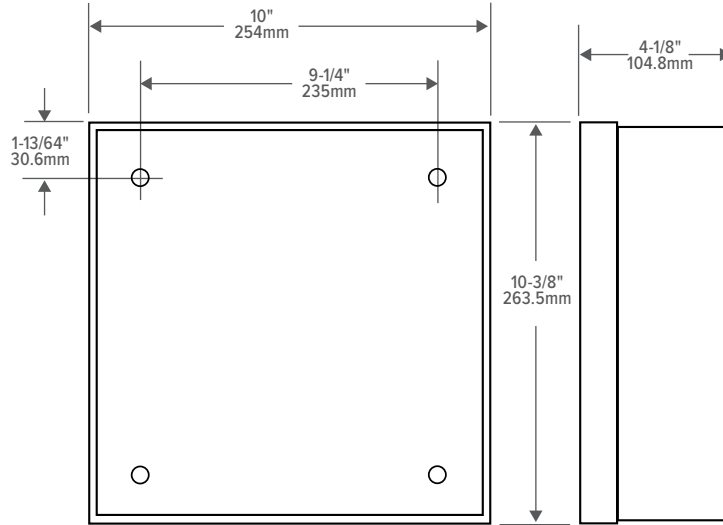
- 24 – 26 VDC output voltage
- Up to 17 A pull-in current

Options

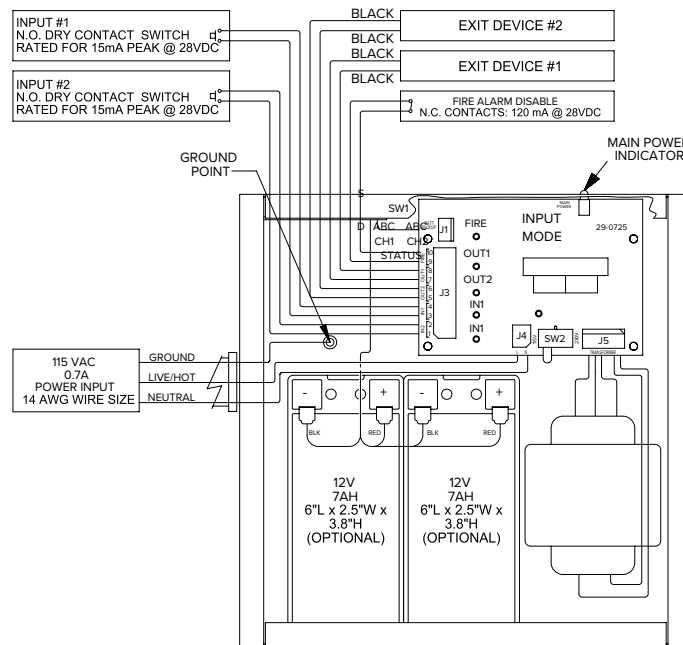
The enclosure is sized to accommodate two 12 V – 7AH sealed, lead acid batteries (not included).



Dimensions



Layout & Wiring



How to Order, Related & Compatible Products

PS-EXIT Power Supply: Specify quantity and the following information. Order compatible products separately.

MODEL	POWER SUPPLY
PS	-EXIT
	EXIT Power Supply for exit devices with MLR and LR options

RELATED PRODUCTS

When purchasing this product, please consider the following available separately:

POWER
4612 Power Transfer Device, 4605 Transformer, 4603 Rectifier

COMPATIBLE PRODUCTS

EXIT DEVICES
8000 Series exit devices with MLR or LR option

4612

Power Transfer Device

The 4612 Power Transfer Device channels electrical wiring from the door frame into the door itself. Designed for use with locks, exit devices, and more on doors hung with butt-type hinges.

Function

Provides a secure and unobtrusive means of channeling electrical wiring from the door frame into the door itself, for powering electric strikes on the inactive leaf of a pair of doors, locks, exit devices, etc. Suitable for any door hung with butt-type hinges, including continuous or pivots offset 3/4" [19.1 mm] or less. Not compatible with center-pivot doors.



Certifications

UL listed

Features

Housing

Stamped steel, approximately 1/16" [1.6 mm] thick. Short (105° swing) version shown is 11-1/12" [281.5 mm] long. 180° version is 20-5/21" [514mm] long. Chrome finish.

Case Knife Guard

Particularly for out-swinging doors, a steel barrier fence offers extra protection against attack on the conduit by knives, shims, or other tools. Completely hidden when door is closed.

Standard Package

Individually boxed with fasteners as required for each application type: aluminum, hollow metal, or wood.

Shipping Weight

1 lb. [0.45kg]

Electrical

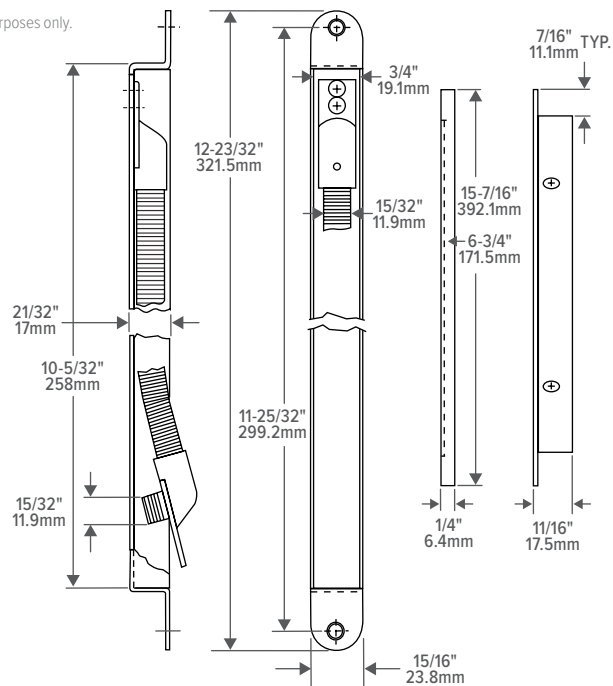
Conduit

Spring steel helix has internal diameter of approximate 5/16". This provides ample room for multiple wires of the low voltage type used with most electrical hardware.

Options

- Available for application in aluminum, hollow metal, or wood door and frames.
- Standard (short) version suits doors that swing up to 105°. A longer version is available for doors that open 180°.
- Swing Clear option also available.

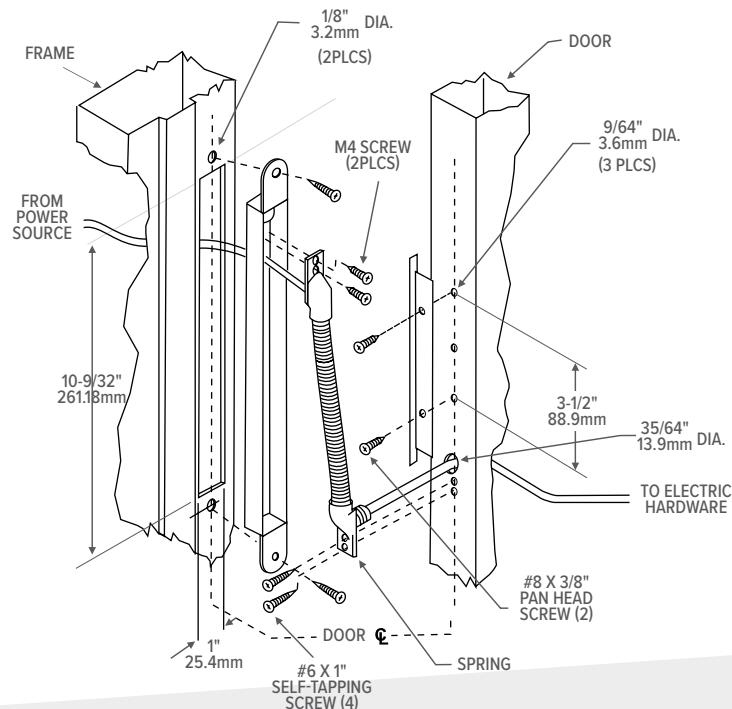
Dimensions



Installation

Door and Frame Prep — 105° Swing

1. For wood frame, the rectangular cutout is 2" deep minimum.
2. 4612 Power Transfer Device is designed to protect the wire. Care should also be taken when inserting wires through this device.
3. Only stranded wires to be employed.
4. Size and number of wires must comply with the National Electric Code, NFPA, and local authorities having jurisdiction. Wire size shall be at least 22 gauge.
5. This device is intended for low voltage use only (30 VAC, 42.5 VDC, 10 W max.).
6. Wire should be labeled, appliance wiring material with minimum 1/32" thick insulation.



How to Order & Compatible Products

4612 Power Transfer Device: Specify quantity and the following information. Order compatible products separately.

MODEL	ACCESSORY
4612	-1
	1 105° swing
	2 180° swing
	1-SC Swing clear, 90°

COMPATIBLE PRODUCTS

DEADLATCHES	EXIT DEVICES	ELECTRIC STRIKES	TRIM
4300 Electrified Deadlatch	All 3000, 8000 Series electrified exit devices	7100/7101, 7110/7111, 7130/7131, 7140, 7160, 7170 Electric Strikes, 7240, 7270 Fire-Rated Electric Strikes, 7400/7401, 7410/7411, 7430/7431, 7440, 74R1, 74R2 Electric Strikes	3080E Series Entry Trim



LISTED

4605 / 4606 Only

Accessories

For Power Supplies

4603 Rectifier

The 4603 Rectifier converts low voltage AC current to DC of same voltage. Installs in low voltage line between transformer and strike. Full wave bridge type. Rated 2 Amps (200 PIV).



4605 Transformer

The 4605 Transformer converts 120 VAC to 12/24 VAC. Rated 40 Volt-amp output assures sufficient power for electric strike.

Certifications

UL listed



4606 Plug-In Transformer

The 4606 Plug-In Transformer converts 120 VAC current to 24 VAC. Plugs into standard wall outlet.

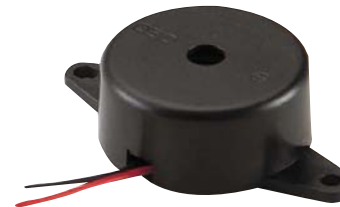
Certifications

UL listed



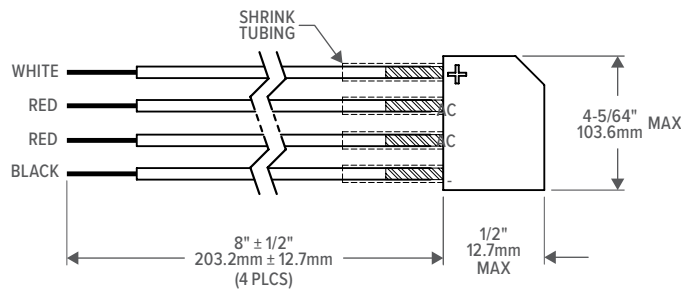
29-0218 Piezo Horn

Provides for audible indication when a DC electric strike is energized. Compatible with 12, 16, or 24 VDC electric strikes.

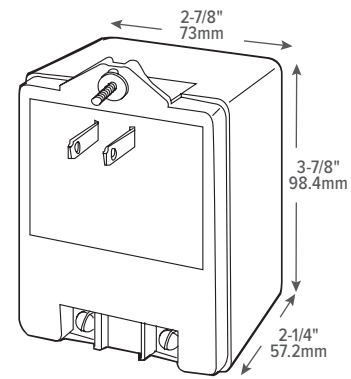


Dimensions

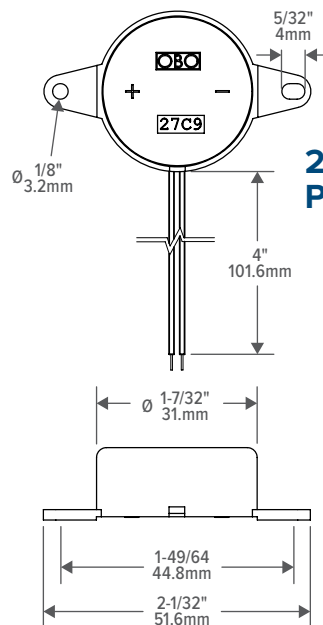
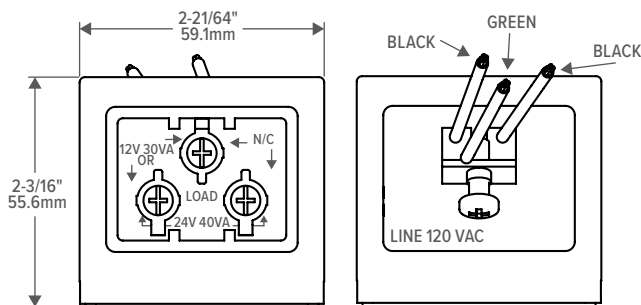
4603 Rectifier



4606 Plug-In Transformer



4605 Transformer



29-0218 Piezo Horn

How to Order, Related & Compatible Products

Accessories: Specify quantity and the following information. Order compatible products separately.

MODEL	ACCESSORY
460	3
	3 Rectifier
	5 Transformer
	6 Transformer (Plug-In)

RELATED PRODUCTS When purchasing this product, please consider the following available separately:

POWER
PS-1, PS-SE, PS-LR Power Supply, 4612 Power Transfer Device

COMPATIBLE PRODUCTS


















DEADLOCKS	DEADLATCHES	EXIT DEVICES	ELECTRIC STRIKES	TRIM
2190, 2290 Electrified Interconnected Deadbolt/Deadlatch	4300 Electrified Deadlatch	8700, 8800 electrified rim exit devices with EL options	7100/7101, 7110/7111, 7130/7131, 7140, 7160, 7170 Electric Strikes, 7240, 7270 Fire-Rated Electric Strikes, 7400/7401, 7410/7411, 7430/7431, 7440, 74R1, 74R2 Electric Strikes	3080E Series Entry Trim

Resources



Icons Glossary

Definitions of commonly used terms plus classifications and descriptions of the icons found throughout this catalog.

 Aluminum	Aluminum This product suitable for aluminum doors.	 Roll-Up Door	Roll-Up Door This product suitable for roll-up doors.	 Electrified Product	Electrified Product This is an electrified product.
 Glass	Glass This product suitable for full glass doors.	 Fire Rated	Fire-Rated Products with a fire rating have been evaluated and listed to UL10C, "Positive Pressure Fire Tests with Door Assemblies". The hourly rating qualification is also noted.	 Electrified Option	Electrified Option This product is available with electrification option.
 Hollow Metal	Hollow Metal This product suitable for hollow metal doors.	 Grade 1	Grade 1 This product tested and certified to applicable ANSI/BHMA Grade 1 standard.	 Pullman	Pullman Rim exit latch style that swings back at an angle to fully retract into the device as the pushbar is depressed.
 Wood	Wood This product suitable for wood doors.	 Burglary Listed	Burglary Listed Products with a UL 1034 listing are compliant as burglary resistant electric locking mechanisms.	 Interlock	Interlock A uniquely-shaped rim exit bolt design that interlocks the door to the frame for enhanced strength and durability.
 Sliding Door	Sliding Door This product suitable for sliding doors.	 Outdoor Rated	Outdoor Rated Product has been tested and shown to comply to UL1034, including the "Outdoor Equipment Use" section.	 MS [®] Prep	MS[®] Prep The MS [®] Prep is the industry standard lock prep and dominant locking solution for aluminum openings.
 Swinging Door	Swinging Door This product suitable for swinging doors.	 Preload	Preload This product capable of opening under load as defined by applicable ANSI/BHMA standards.		

Comprehensive Training Opportunities

ASSA ABLOY offers comprehensive training classes available to anyone wishing to learn about Doors & Hardware, Access Control, Key Systems and much more. Courses and lessons can be taken online or in-person at our training centers.

We offer curriculum reviewing everything from basic doors and hardware knowledge to complex IP Enabled and Access Control solutions. Opportunities for applying hands-on training with classroom instruction provide students with real world scenarios. Online courses are convenient for the busy professional.

Find a workshop to meet your needs – the University is open for self enrollment now. Registration for many of the online training modules is free.

adamsrite.com/en/training

Limited Warranty

Adams Rite warrants that its products sold under the Adams Rite brand in the United States of America are warranted free from defects in workmanship and materials under normal use and service. This warranty does not cover defects or damage arising from improper installation, lack of or improper maintenance, improper storage, shipping and handling, corrosion, erosion, ordinary wear and tear, misuse, abuse, accident, unauthorized service, or use with unauthorized non-Adams Rite products or parts. This warranty is void if any modification is made to the product, regardless of whether the modification causes or contributes to the alleged defect. All modifications are made at the risk of the party making the modification.

Should any defect of manufacture (in material or workmanship) occur in its products, Adams Rite, upon prompt notification and proof to its satisfaction that the product was defective in manufacture for the use intended by Adams Rite, will at its option, exchange the product, repair the product, or refund the price charged by Adams Rite, FOB factory within the stated time frame listed below.

- **10 years** on all mechanical products from the date of manufacture
- **5 years** on the following electromechanical product categories from the date of manufacture, deadlocks, dead latches, exit devices*, electric strikes, trims, power supply & accessories
 - * **NOTE:** The MLR option (motorized electric latch retraction) is supported by a 1-year electro mechanical warranty. When powered by an Adams Rite PS-EXIT power supply the 1-year warranty is upgraded to 5 years
- **3 years** on the following access control products from the date of manufacture, RT1050, 3090-150.

THIS WARRANTY IS IN LIEU OF ALL OTHER EXPRESS WARRANTIES. TO THE EXTENT PERMITTED BY LAW, ALL IMPLIED WARRANTIES ARE LIMITED TO THE DURATION OF THIS WARRANTY. ADAMS RITE IS A DIVISION OF HANCHETT ENTRY SYSTEMS, INC. HANCHETT ENTRY SYSTEMS, INC. SHALL NOT BE LIABLE FOR ANY INCIDENTAL OR CONSEQUENTIAL DAMAGES. SOME STATES DO NOT ALLOW LIMITATIONS ON HOW LONG AN IMPLIED WARRANTY LASTS OR THE EXCLUSION OR LIMITATION OF INCIDENTAL OR CONSEQUENTIAL DAMAGES, SO THE ABOVE LIMITATION OR EXCLUSIONS MAY NOT APPLY TO YOU. THIS WARRANTY GIVES YOU SPECIFIC LEGAL RIGHTS, AND YOU MAY ALSO HAVE OTHER RIGHTS WHICH VARY FROM STATE TO STATE.

Terms & Conditions

PRICES: All prices are subject to change without notice. Prices listed on the Adams Rite website will serve as the most current list price. All shipments will be made at prices in effect at the time of order. The customer shall be responsible for payment of all applicable sales and/or use taxes and freight costs.

MINIMUM ORDER: Minimum product charge per invoice is \$150.00 USD.

PAYMENT TERMS: Net thirty (30) days from date of invoice. Interest at the rate of up to 1-1/2% per month may be charged on all past due accounts. An order received on an account which has not been paid within 45 days of the date of invoice may not be processed until the account is current. Custom orders may require a deposit.

DELIVERY TERMS: All prices are Ex-works factory. Purchaser assumes the risk of loss or damage to the goods while in transit from the point of shipment. Adams Rite reserves the right to make delivery in installments. Installments shall be separately invoiced and paid for when due. Delay in delivery of an installment shall not relieve the purchaser of its obligation to accept remaining deliveries.

FREIGHT POLICY: All Purchase Orders received with a minimum net value of \$ 3,500 will qualify automatically for free standard freight within the continental United States. This minimum amount applies per Purchase Order to qualify and does not include free expedited freight. Qualified orders may ship partial or ship complete at your preference. Qualified orders that ship partial will not incur freight charges. All shipments that do not qualify for free freight will be charged for freight based upon our terms in effect at the time of shipment. Customers may provide their own carrier account number for expedited freight methods or for any Purchase Order to be used to cover freight costs. Minimum amounts are subject to change without notice.

SHORTAGE: Any claim for shortages must be made to Adams Rite in writing within one (1) week of receipt of merchandise.

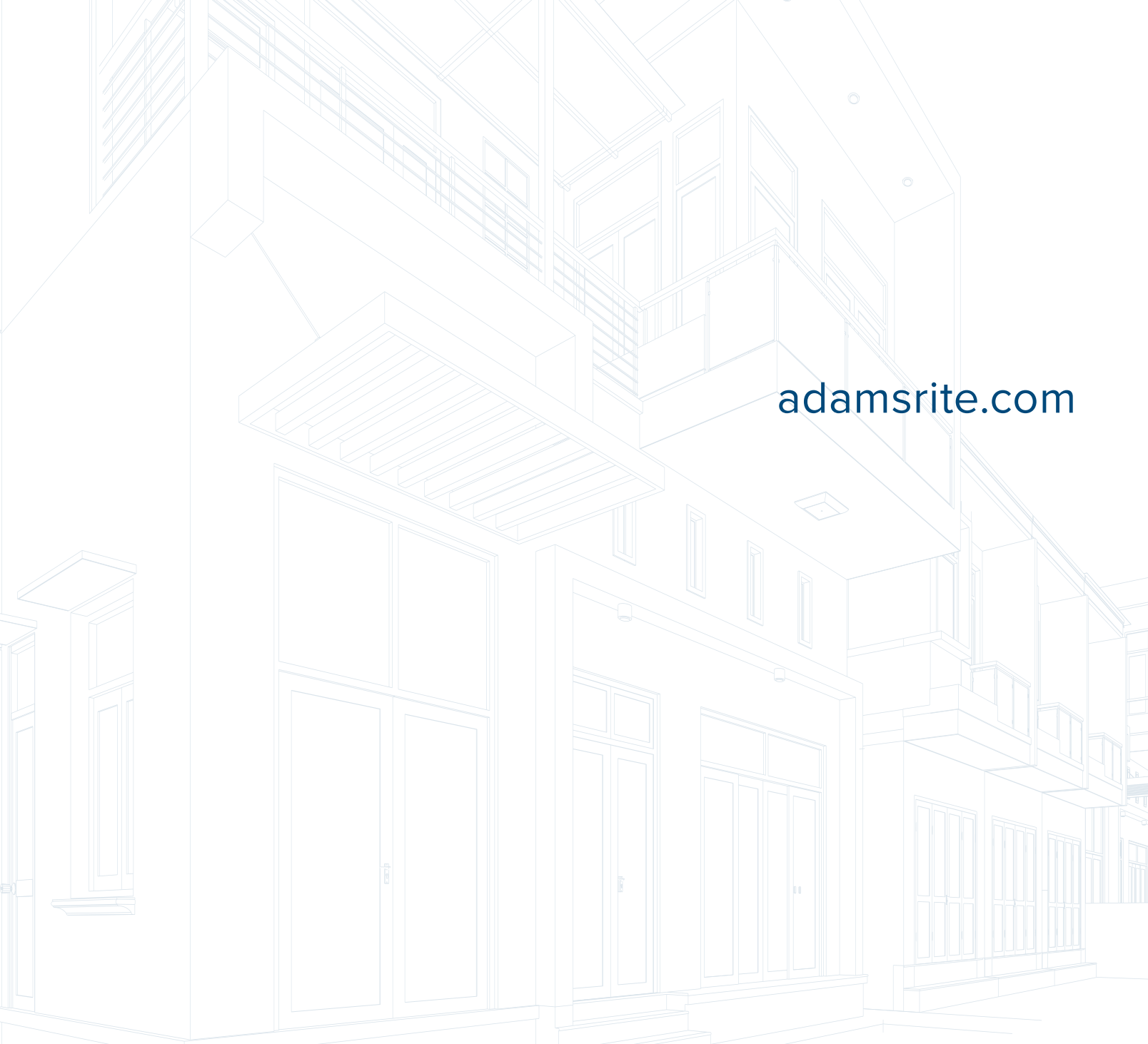
WARRANTY RETURNS: A Customer Care Form (CCF) for defective product must be obtained from Alarm Controls before any merchandise can be returned. CCF's are valid for sixty (60) days from date of issuance. Goods returned under the terms of Adams Rite Warranties may require a copy of the original invoice.

RETURNS: A Customer Care Form (CCF) must be obtained from Adams Rite before any merchandise can be returned. CCF's are valid for sixty (60) days from date of issuance. Items returned are subject to restocking fees.

CANCELLATIONS: Any order may be subject to a 5% cancellation charge for catalog items. Cancellation of non-catalog or custom items will be subject to a 20% cancellation charge plus all costs (both direct and indirect) incurred by manufacturing at the point of cancellation that are properly allocated to the cancelled item(s).

LIMITATION OF LIABILITY: Neither party will be liable to the other for any delay or failure in performance arising directly out of war, sabotage, insurrection, riot, and any other act of civil disobedience, act of public enemy, fire, explosion, flood, storm, or other act of God or nature, or similar cause beyond its reasonable control, including shortage or unavailability of labor or materials. If, notwithstanding the foregoing limitations, Adams Rite has any liability to the purchaser, the purchaser agrees that the total liability to the purchaser for all losses, damages, and causes of action, whether in contract, equity, tort (including without limitation, negligence and gross negligence), or otherwise, will not exceed the amount the purchaser paid to Adams Rite for the products (including, without limitation, incidental or consequential damages, damages for lost profits or business interruption, and punitive damages).

NO THIRD PARTY LIABILITY: If the purchaser uses the Adams Rite Products on behalf of others or provides to others any products referenced herein, the Adams Rite Parties shall have no liability to such persons whatsoever, and the purchaser agree to defend and indemnify the Adams Rite Parties from any and all claims and demands asserted against them, and from any legal fees, costs and other expenses that the Adams Rite Parties incur therewith.



adamsrite.com





ASSA ABLOY

The ASSA ABLOY Group is the global leader in access solutions. Every day we help people feel safe, secure and experience a more open world.

USA

800.626.7590 | f: 800.232.7329 | adamsrite.com

customerservice.adamsrite@assaabloy.com

techsupport.adamsrite@assaabloy.com

orders.adamsrite@assaabloy.com

Canada

800.461.3007 | f: 800.461.8989 | assaabloydss.ca

sales.dss.ca@assaabloy.com

orders.dss.ca@assaabloy.com

adamsrite.com

Patent pending and/or patent www.assaabloydss.com/patents.

Copyright © 2024, Hanchett Entry Systems, Inc., an ASSA ABLOY Group company.

All rights reserved. Reproduction in whole or in part without the express written permission of Hanchett Entry Systems, Inc. is prohibited. AR-081-0524