

**FALCON®**

Door controls



# Table of contents

4-7	SC70A Series
8-11	SC80A Series
12-15	SC60A Series
16-19	SC90A Series
20-22	OHC100 Series
22-24	8200 Series
25-27	How to order
28	Cylinder options and competitive cross reference
29	Sample specifications



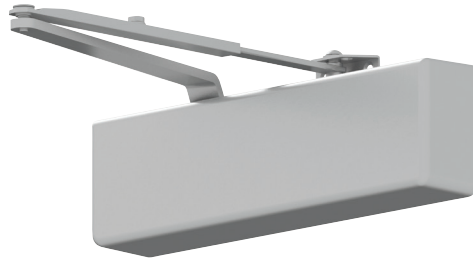
# The Falcon difference

Safety, security and uncompromising value

At Falcon, we know that every product you sell not only has to meet local building codes, but also your expectations for performance and quality. We take your expectations seriously, and that's why we build our door closers to deliver durability, convenience and unmatched value. After all, we've built our reputation on the same standards that you have – providing quality products at a reasonable price delivered on time. It's the way we do business and it's what makes Falcon door closers a powerful choice no matter what your project.



# SC70A Series



Falcon SC70A Series heavy duty closers are built for applications that demand reliable door control and easy maintenance. The SC70A Series closers are ANSI grade 1, ADA compliant and deliver tough performance. Choose the SC70A for interior or exterior doors in retail shops, restaurants, small offices and many other high traffic applications.

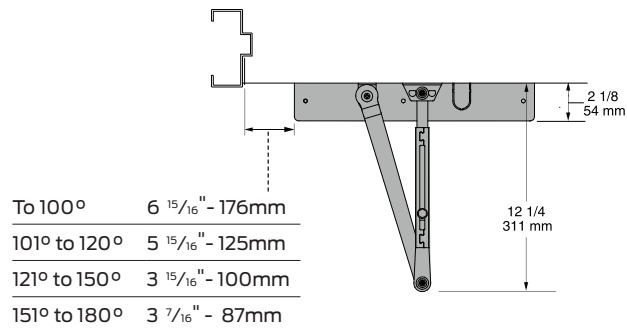
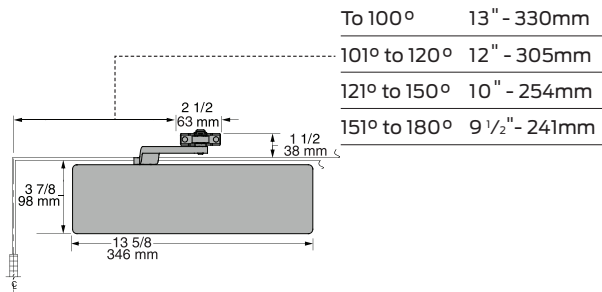
## Standard features

- Fully adjustable sizes 1-6
- Separate adjustable general speed, latch speed and backcheck
- Closer mounts hinge side, top jamb or parallel arm when either the RW/PA or HW/PA arm is specified
- Non-handed for left or right swinging doors
- 1 1/2" diameter heat treated steel piston
- Double heat-treated pinion
- Universal screw pack for aluminum, hollow metal, and wood doors, includes self reaming and tapping screws
- Staked valves
- Meets ANSI A117.1
- Listed ANSI/BHMA A156.4, grade 1
- UL listed and compliant to UL10C and UBC 7-2 (1997)
- Fast and easy installation
- 10-year warranty
- Available in aluminum, brass, dark bronze, and matte black

## Listings and ratings

The Falcon SC71A is UL approved and compliant with the UL 10C and UBC 7-2 (1997) fire test. Additionally, the SC71A is rated ANSI/BHMA A156.4, grade 1 and designed to meet the American Disabilities Act (ADA) and ANSI A117.1

## SC70A Series hinge (pull side)



**Butt hinges** should not exceed 5" (127mm) in width.

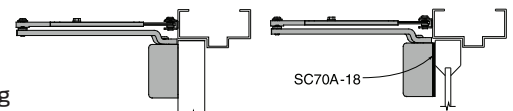
**Auxiliary stop** is recommended at hold-open point or where a door cannot swing 180°.

**Reveal** should not exceed 3/4" (19mm) for regular arm or hold-open arm.

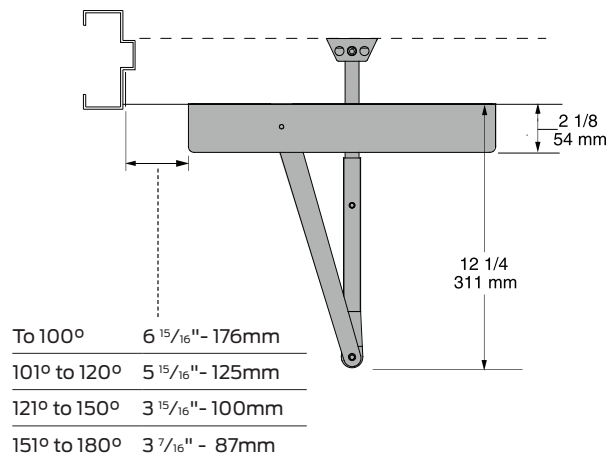
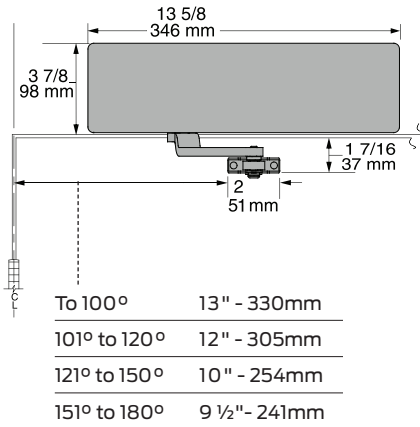
**Top rail** less than 3 7/8" (98mm) requires plate SC70A-18.

**Clearance** of 2 1/8" (54mm) behind door required for 90° installation.

**Delayed action** add suffix "DEL" to selected cylinder (ex. SC70A DEL). Delays closing from maximum opening to approx. 70°, with adjustable delay time.



## SC70A Series top jamb (push side)



**Butt hinges** should not exceed 5" (127mm) in width.

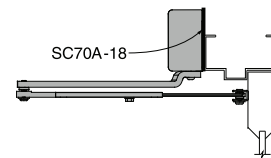
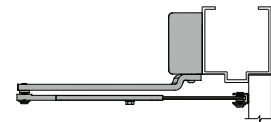
**Auxiliary stop** is recommended at hold-open point or where a door cannot swing 180°.

**Reveal** should not exceed 3 1/4" (83mm) for regular arm or hold-open arm.

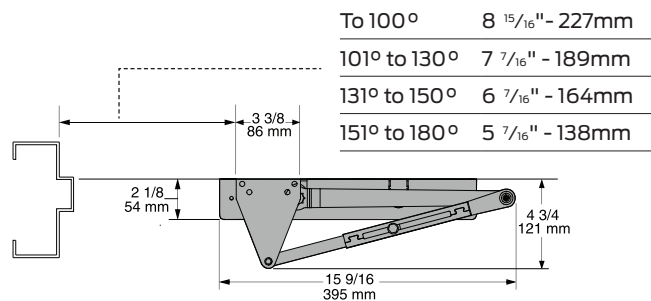
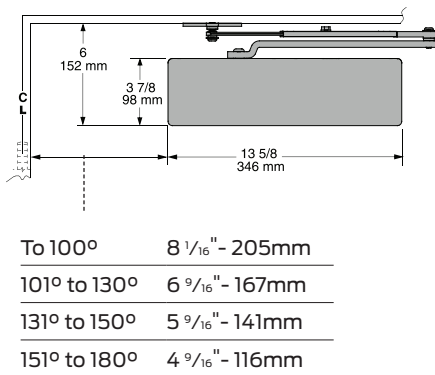
**Top rail** of 1 1/2" (38mm) required.

**Head frame** less than 3 7/8" (98mm) requires plate SC70A-18.

**Delayed action** add suffix "DEL" to selected cylinder (ex. SC70A DEL). Delays closing from maximum opening to approx. 70°, with adjustable delay time.



## SC70A Series parallel (push side)

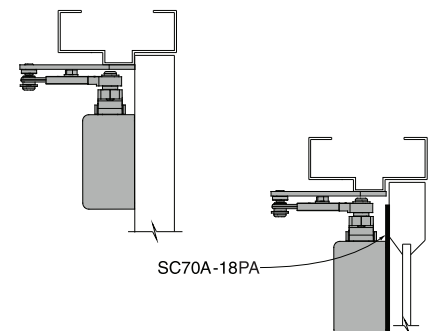


**Butt hinges** should not exceed 5" (127mm) in width.

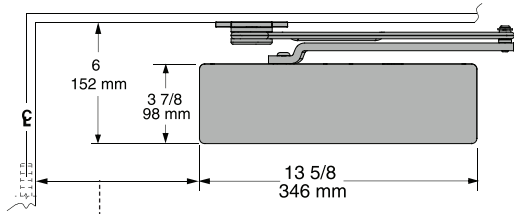
**Auxiliary stop** is recommended at hold-open point or where a door cannot swing 180°.

**Top rail** less than 6" (152mm) measured from stop requires plate SC70A-18PA.

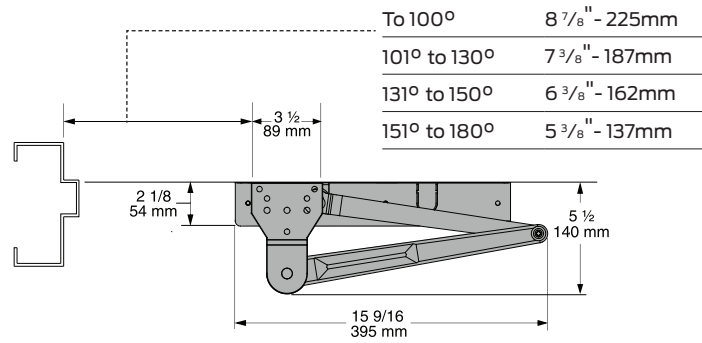
**Delayed action** add suffix "DEL" to selected cylinder (ex. SC70A DEL). Delays closing from maximum opening to approx. 70°, with adjustable delay time.



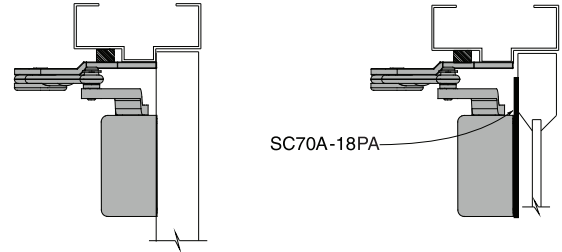
## SC70A Series heavy duty (parallel)



To 100°	8 1/16" - 205mm
101° to 130°	6 9/16" - 167mm
131° to 150°	5 9/16" - 141mm
151° to 180°	4 9/16" - 116mm



To 100°	8 7/8" - 225mm
101° to 130°	7 3/8" - 187mm
131° to 150°	6 3/8" - 162mm
151° to 180°	5 3/8" - 137mm



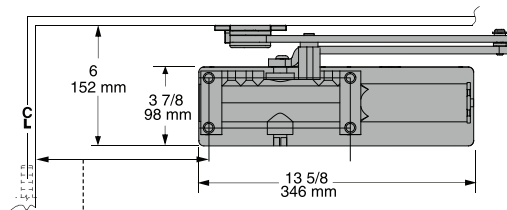
**Butt hinges** should not exceed 5" (127mm) in width.

**Auxiliary stop** is recommended at hold-open point, where a door cannot swing 180°, or where dead stop or spring-n-stop arm is not used.

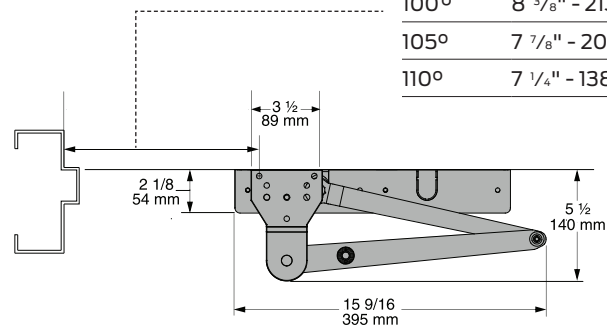
**Top rail** less than 6" (152mm) measured from stop requires plate SC70A-18PA.

**Delayed action** add suffix "DEL" to selected cylinder (ex. SC70A DEL). Delays closing from maximum opening to approx. 70°, with adjustable delay time.

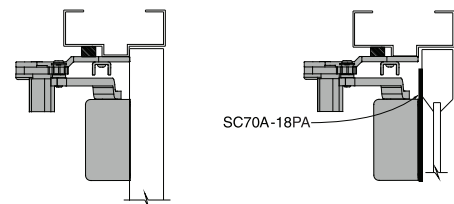
## SC70A Series dead stop HO (parallel)



85°	10 1/8" - 257mm
90°	9 1/4" - 235mm
95°	8 5/8" - 219mm
100°	7 7/8" - 200mm
105°	7 3/8" - 187mm
110°	6 3/4" - 171mm



85°	10 5/8" - 270mm
90°	9 3/4" - 248mm
95°	9 1/8" - 232mm
100°	8 3/8" - 213mm
105°	7 7/8" - 200mm
110°	7 1/4" - 138mm

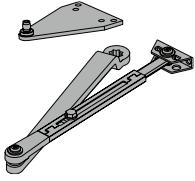


**Butt hinges** should not exceed 5" (127mm) in width.

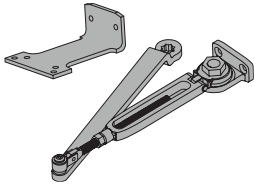
**Top rail** less than 6" (152mm) measured from stop requires plate SC70A-18PA.

**Delayed action** add suffix "DEL" to selected cylinder (ex. SC70A DEL). Delays closing from maximum opening to approx. 70°, with adjustable delay time.

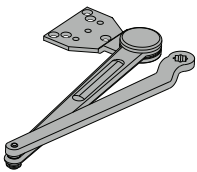
## Arm types All SC70A Series closers come with full cover, standard arm and screw pack.



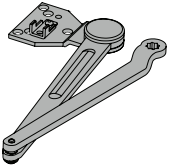
**Regular arm, SC70A-3077PA**  
Non-handed arm with adjustable forearm assembly to accommodate a range of doors and frame reveal conditions. Mounts hinge side, top jamb or parallel arm. PA shoe included to allow installation in a parallel arm configuration.



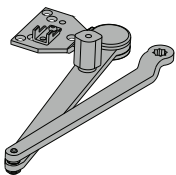
**Hold-open arm, SC70A-3049PA**  
Optional, non-handed, hold open arm with adjustable forearm assembly to accommodate a range of doors and frame reveal conditions. Mounts hinge side, top jamb or parallel arm. PA shoe included to allow installation in a parallel arm configuration.



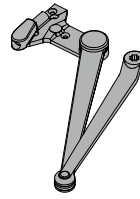
**Heavy duty regular arm, SC70A-3077HD**  
Optional, non-handed, stamped, heavy duty, parallel arm for use in high-traffic applications.



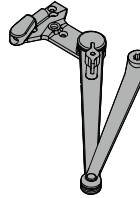
**Dead stop arm, SC70A-3077DS**  
Optional, non-handed, stamped, heavy duty, parallel arm includes a positive mechanical stop and non-adjustable forearm assembly for high volume traffic or potentially abusive installation conditions.



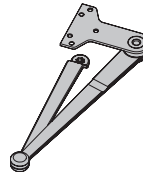
**Dead stop hold-open arm, SC70A-3049DS**  
Optional, non-handed, stamped, heavy duty, hold-open parallel arm includes a positive mechanical stop and non-adjustable forearm assembly for high volume traffic or potentially abusive installation conditions. Also includes a manually selective hold-open function.



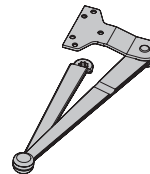
**Spring-n-stop arm, SC70A-3077SS**  
Optional, non-handed, extra heavy-duty, forged parallel arm includes an integral spring stop and non-adjustable forearm assembly for high volume traffic or potentially abusive installation conditions.



**Spring-n-stop hold-open arm, SC70A-3049SS**  
Optional, non-handed, extra heavy-duty, forged parallel arm includes an integral spring stop and non-adjustable forearm assembly for high volume traffic or potentially abusive installation conditions. Also includes a manually selective hold-open function.

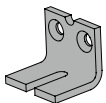


**Forged arm, SC70A-3077FA**  
Optional, non-handed, extra heavy-duty arm with parallel arm bracket. Includes a forged steel main arm and forearm for maximum durability in high traffic and/or abusive applications. Parallel Arm (PA) bracket is a permanent feature, installation on "push" side of the door in a parallel arm type configuration is required.

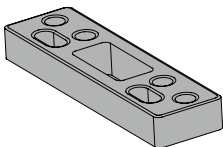


**Forged arm with hold open, SC70A-3049FA**  
Optional, left or right handed, extra heavy-duty arm with parallel arm bracket that incorporates a hold open feature. Includes a forged steel main arm and forearm for maximum durability in high traffic and/or abusive applications. Parallel Arm (PA) bracket is a permanent feature, installation on "push" side of the door in a parallel arm type configuration is required.

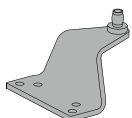
## Installation accessories



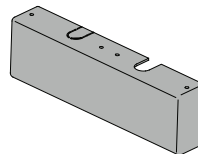
**Soffit shoe support, SC70A-30**  
Provides anchorage for fifth screw used with soffit shoe, where reveal is less than 3 1/16" (78mm).



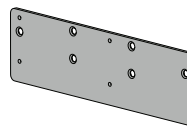
**Blade stop spacer, SC70A-61**  
Required to lower parallel arm shoe to clear 1/2" (13mm) blade stop.



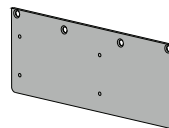
**Auxiliary shoe, SC70A-62A**  
Requires a top rail of 7" (178mm). Optional shoe replaces PA shoe for parallel arm mounting of regular arm with overhead holder/stop.



**Cover, SC70A-72**  
Standard, non-handed, full plastic cover encloses the closer body.

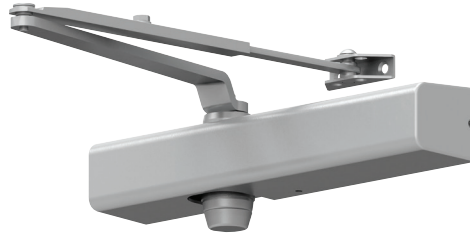


**Plate, SC70A-18**  
Required for hinge side mount where top rail is less than 3 7/8" (98mm). Required for top jamb mounting where head frame is less than 3 7/8" (98mm).



**Plate, SC70A-18PA**  
Required for parallel arm mounting where top rail is less than 6" (152 mm), measured from the stop. Plate requires 1 3/4" (44mm) minimum top rail measured from stop.

# SC80A Series



Medium-duty applications like retail storefronts, cafes and clinics that need a closer that makes door operation smooth and secure. The Falcon SC80A Series brings ANSI grade 1 durability and reliable performance to interior and exterior doors. An adjustable design ensures flexible installation and ADA compliance.

## Standard features

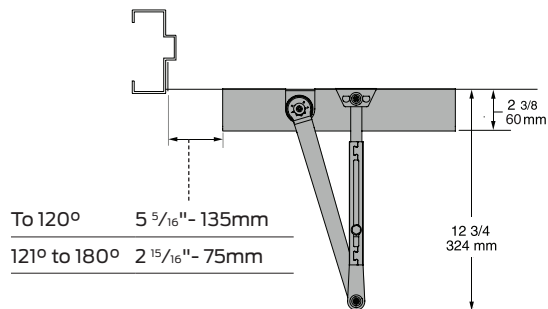
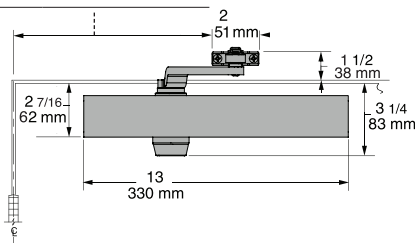
- Single piece cast aluminum body
- Fully adjustable sizes 1-6
- Separate adjustable general speed, latch speed and backcheck
- Closer mounts hinge side, top jamb or parallel arm when either the RW/PA or HW/PA arm is specified
- Non-handed for left or right swinging doors
- 1 1/4" diameter heat treated steel piston
- Heat-treated pinion
- Universal screw pack for aluminum, hollow metal, and wood doors, includes self reaming, and tapping screws
- Staked valves
- Meets ANSI A117.1
- ANSI/BHMA A156.4, grade 1
- UL listed and compliant to UL10C and UBC 7-2 (1997)
- Cover is UL approved for use in fire rated assemblies
- 10-year warranty
- Retrofittable to Norton 8000 hole pattern

## Listings and ratings

The Falcon SC81A is UL listed and compliant to UL10C and UBC 7-2 (1997). Additionally, the SC81A is designed to meet the American Disabilities Act (ADA) and ANSI A117.1. The SC81A is rated ANSI/BHMA A156.4, Grade 1.

## SC80A Series hinge (pull side)

To 120°	11 3/4" - 298mm
121° to 180°	8 1/2" - 216mm



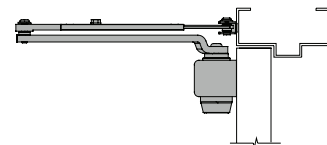
**Butt hinges** should not exceed 5" (127mm) in width.

**Auxiliary stop** is recommended at hold-open point or where a door cannot swing 180°.

**Reveal** should not exceed 3/4" (19mm) for regular arm or hold-open arm.

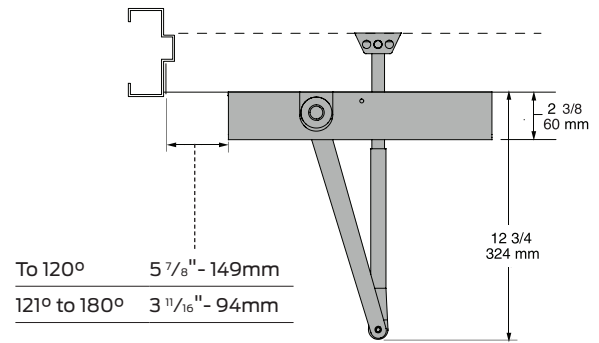
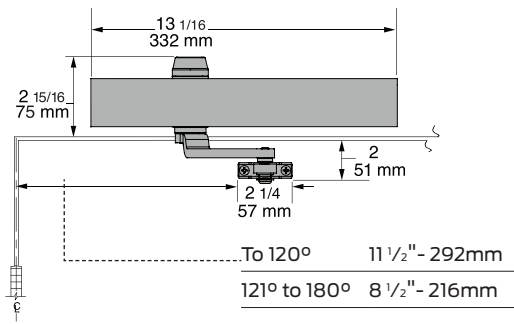
**Clearance** of 2 3/8" (60mm) behind door required for 90° installation.

**Delayed action** add suffix "DEL" to selected cylinder (ex. SC80A DEL). Delays closing from maximum opening to approximately 70°, with adjustable delay time.





## SC80A Series top jamb (push side)



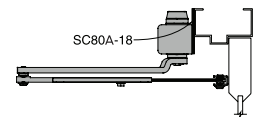
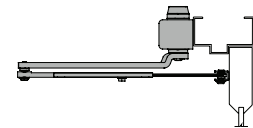
**Butt hinges** should not exceed 5" (127mm) in width.

**Auxiliary stop** is recommended at hold-open point or where a door cannot swing 180°.

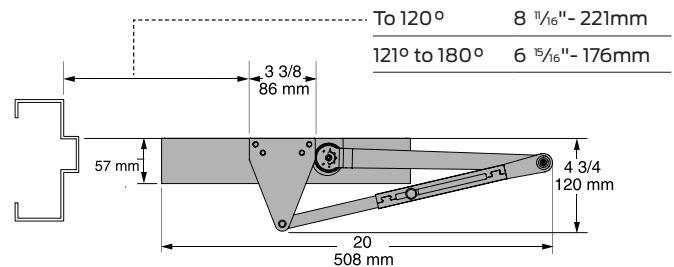
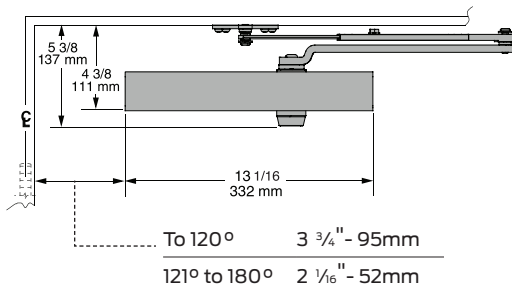
**Reveal** should not exceed 3 1/4" (83mm) for regular arm or hold-open arm.

**Head frame** less than 2 5/16" (59mm) requires plate SC80A-18.

**Delayed action** add suffix "DEL" to selected cylinder (ex. SC80A DEL). Delays closing from maximum opening to approximately 70°, with adjustable delay time.



## SC80A Series parallel (push side)

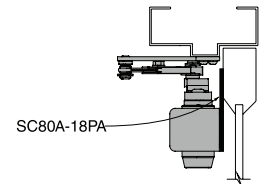
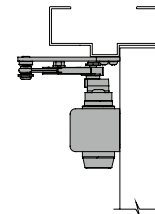


**Butt hinges** should not exceed 5" (127mm) in width.

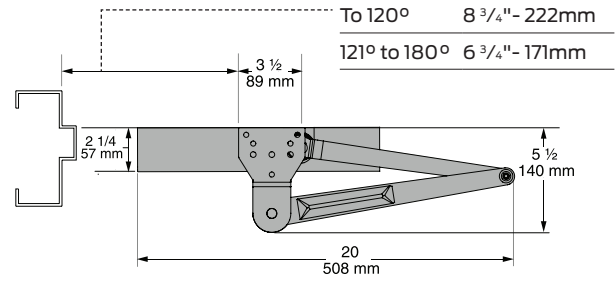
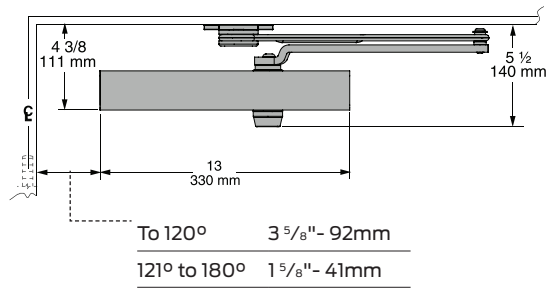
**Auxiliary stop** is recommended at hold-open point or where a door cannot swing 180°.

**Top rail** less than 4 3/8" (111mm) measured from stop requires plate SC80A-18PA.

**Delayed action** add suffix "DEL" to selected cylinder (ex. SC80A DEL). Delays closing from maximum opening to approximately 70°, with adjustable delay time.



## SC80A Series heavy duty (parallel)

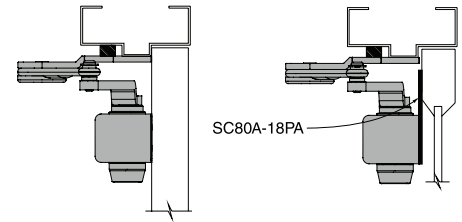


**Butt hinges** should not exceed 5" (127mm) in width.

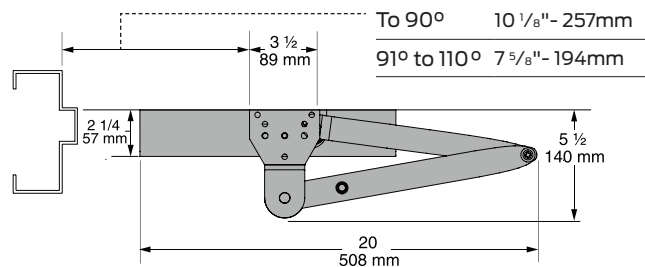
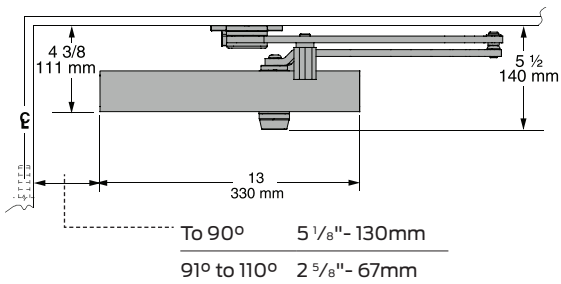
**Auxiliary stop** is recommended at hold-open point, where a door cannot swing 180°, or where Dead stop or Spring-n-stop arm is not used.

**Top rail** less than 4 3/8" (111mm) measured from stop requires plate SC80A-18PA.

**Delayed action** add suffix "DEL" to selected cylinder (ex. SC80A DEL). Delays closing from maximum opening to approximately 70°, with adjustable delay time.



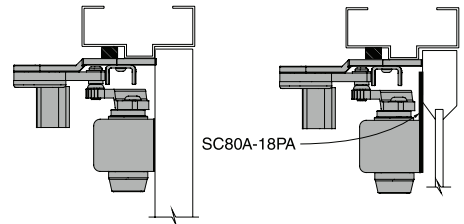
## SC80A Series dead stop HO (parallel)



**Butt hinges** should not exceed 5" (127mm) in width.

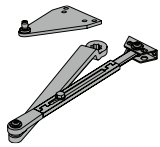
**Top rail** less than 4 3/8" (111mm) measured from stop requires plate SC80A-18PA.

**Delayed action** add suffix "DEL" to selected cylinder (ex. SC80A DEL). Delays closing from maximum opening to approximately 70°, with adjustable delay time.

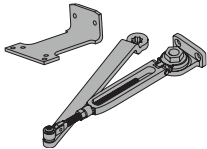


## Arm types

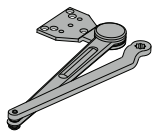
All SC80A Series closers come with slim cover, standard arm and screw pack.



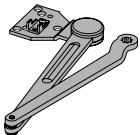
**Regular arm, SC80A-3077PA**  
Non-handed arm with adjustable forearm assembly to accommodate a range of doors and frame reveal conditions. Mounts hinge side, top jamb or parallel arm. PA shoe included to allow installation in a parallel arm configuration.



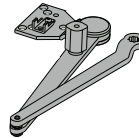
**Hold-open regular arm, SC80A-3049PA**  
Optional, non-handed, hold open arm with adjustable forearm assembly to accommodate a range of doors and frame reveal conditions. Mounts hinge side, top jamb or parallel arm. PA shoe included to allow installation in a parallel arm configuration.



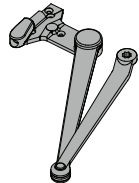
**Heavy duty arm, SC80A-3077HD**  
Optional, non-handed, stamped, heavy duty, parallel arm for use in high-traffic applications.



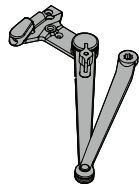
**Dead stop arm, SC80A-3077DS**  
Optional, non-handed, stamped, heavy duty, parallel arm includes a positive mechanical stop and non-adjustable forearm assembly for high volume traffic or potentially abusive installation conditions.



**Dead stop hold-open Arm, SC80A-3049DS**  
Optional, non-handed, stamped, heavy duty, hold-open parallel arm includes a positive mechanical stop and non-adjustable forearm assembly for high volume traffic or potentially abusive installation conditions. Also includes a manually selective hold-open function.



**Spring-n-stop arm, SC80A-3077SS**  
Optional, non-handed, extra heavy-duty, forged parallel arm includes an integral spring stop and non-adjustable forearm assembly for high volume traffic or potentially abusive installation conditions.

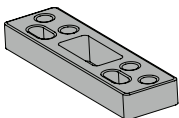


**Spring-n-stop hold-open arm, SC80A-3049SS**  
Optional, non-handed, extra heavy-duty, forged parallel arm includes an integral spring stop and non-adjustable forearm assembly for high volume traffic or potentially abusive installation conditions. Also includes a manually selective hold-open function.

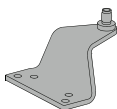
## Installation accessories



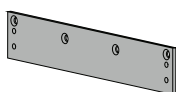
**Soffit shoe support, SC80A-30**  
Provides anchorage for fifth screw used with soffit shoe, where reveal is less than 3 1/16" (78mm).



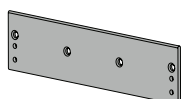
**Blade stop spacer, SC80A-61**  
Required to lower parallel arm shoe to clear 1/2" (13mm) blade stop.



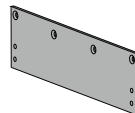
**Auxiliary shoe, SC80A-62A**  
Requires a top rail of 7" (178mm). Optional shoe replaces PA shoe for parallel arm mounting of regular arm with overhead holder/stop.



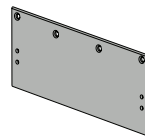
**Plate, SC80A-18**  
Required for top jamb mounting where head frame is less than 1 3/4" (44mm) or flush ceiling conditions exists.



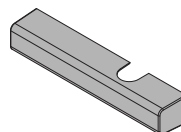
**Plate, SC80A-18FC**  
Required for top jamb mounting where head frame is less than 1 3/4" (44mm) or flush ceiling conditions exist. To be used with a full cover SC80A-72FC.



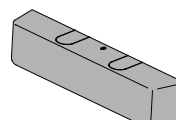
**Plate, SC80A-18PA**  
Required for parallel arm mounting where top rail is less than 4 3/8" (111 mm), measured from the stop. Plate requires 1 7/8" (48mm) minimum top rail measured from stop.



**Plate, SC80A-18PAFC**  
Required for parallel arm mounting where top rail is less than 4 3/8" (111mm), measured from the stop. Plate requires 1 7/8" (48mm) minimum top rail measured from stop. To be used with a full cover SC80A-72FC.

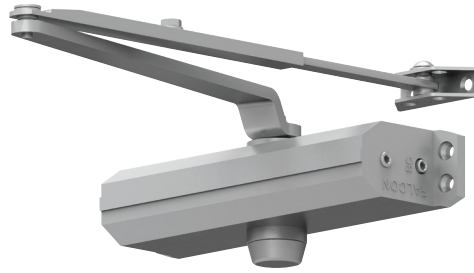


**Cover, SC80A-72**  
Standard, non-handed, slim line plastic cover encloses the closer body with a cap on the unused pinion shaft.



**Cover, SC80A-72FC**  
Optional non-handed, full plastic cover encloses the closer body.

# SC60A Series



When you need a dependable closer for a standard-duty application, the Falcon SC60A Series gets the job done. Designed for interior use with an aluminum storefront, the SC60A Series offers ANSI grade 1 durability backed by a ten-year warranty. Most common hole pattern in the industry for versatile use and easy retrofit.

## Standard features

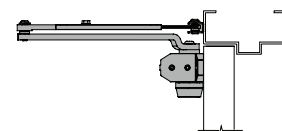
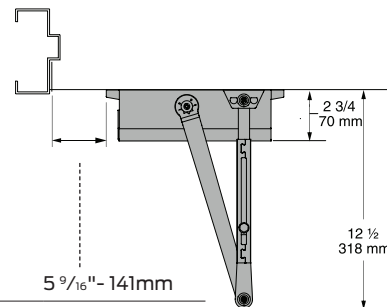
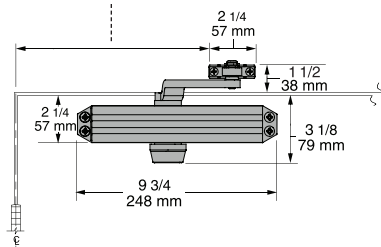
- Single piece cast aluminum body
- Fully adjustable sizes 1-5
- Separate adjustable general speed, latch speed and backcheck
- Closer mounts hinge side, top jamb or parallel arm when either the RW/PA or HW/PA arm is specified
- Non-handed for left or right swinging doors
- Heat-treated pinion and steel piston
- Universal screw pack for aluminum, hollow metal, and wood doors, includes self reaming, and tapping screws
- Staked valves
- Meets ANSI A117.1
- ANSI/BHMA A156.4, grade 1
- UL listed and compliant to UL10C and UBC 7-2 (1997)
- Cover is UL approved for use in fire rated assemblies
- 10-year warranty
- Retrofittable to Norton 1600 hole pattern

## Listings and ratings

The Falcon SC60A is UL listed and compliant to UL10C and UBC 7-2 (1997). Additionally, the SC61A is designed to meet the American Disabilities Act (ADA) and ANSI A117.1. The SC60A Series is rated ANSI/BHMA A156.4, Grade 1.

## SC60A Series hinge (pull side)

To 120°	11 13/16" - 300mm
121° to 180°	8 1/4" - 210mm



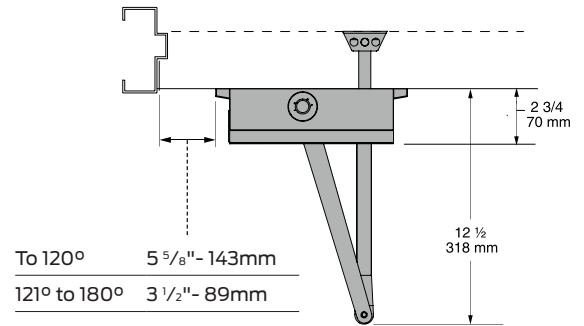
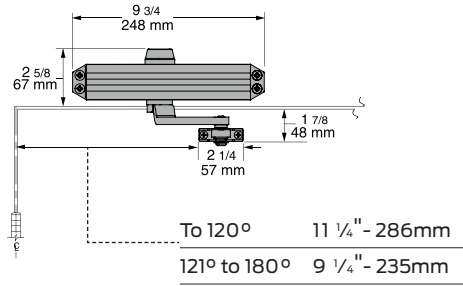
**Butt hinges** should not exceed 5" (127mm) in width.

**Auxiliary stop** is recommended at hold-open point or where a door cannot swing 180°.

**Reveal** should not exceed 3/4" (19mm) for regular arm or hold-open arm.

**Clearance** of 2 3/4" (70mm) behind door required for 90° installation.

## SC60A Series top jamb (push side)

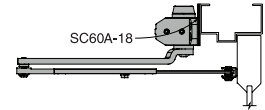
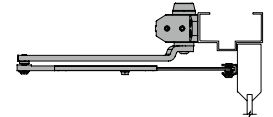


**Butt hinges** should not exceed 5" (127mm) in width.

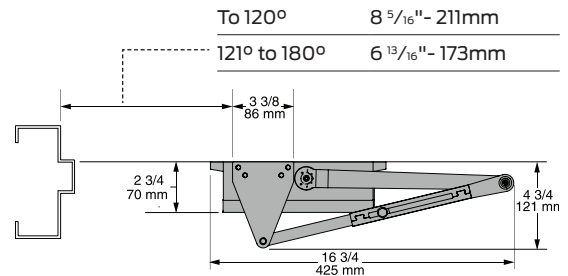
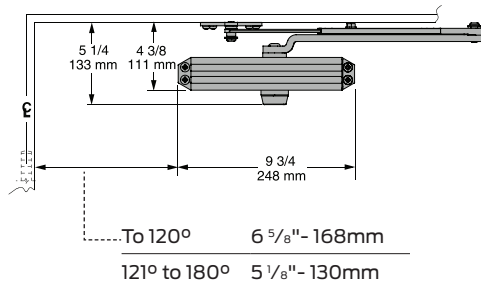
**Auxiliary stop** is recommended at hold-open point or where a door cannot swing 180°.

**Reveal** should not exceed 3 1/4" (83mm) for regular arm or hold-open arm.

**Head frame** less than 2 5/8" (69mm) requires plate SC60A-18.



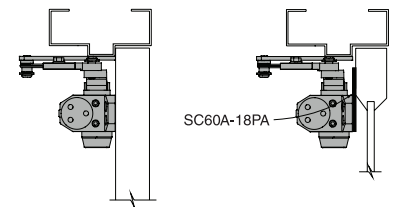
## SC60A Series parallel (push side)



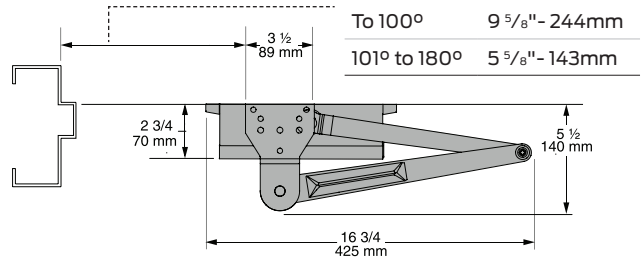
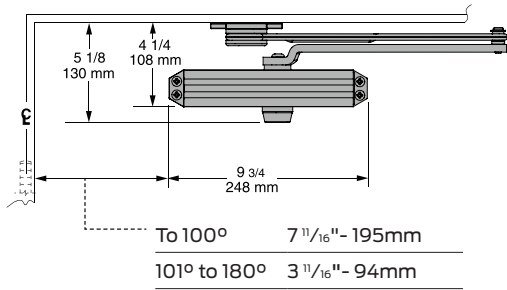
**Butt hinges** should not exceed 5" (127mm) in width.

**Auxiliary stop** is recommended at hold-open point or where a door cannot swing 180°.

**Top rail** less than 4 3/8" (111mm) measured from stop requires plate SC60A-18PA.



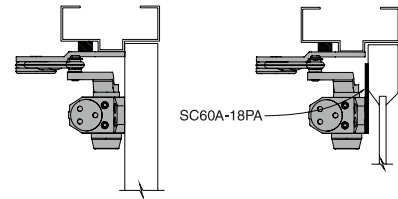
## SC60A Series heavy duty (parallel)



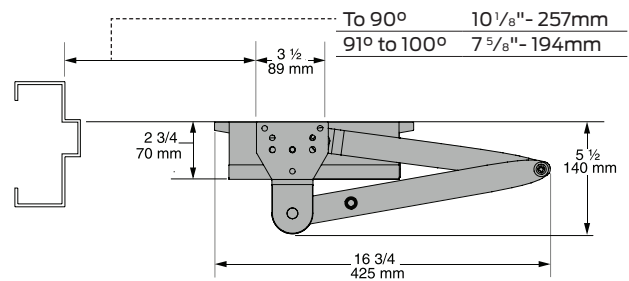
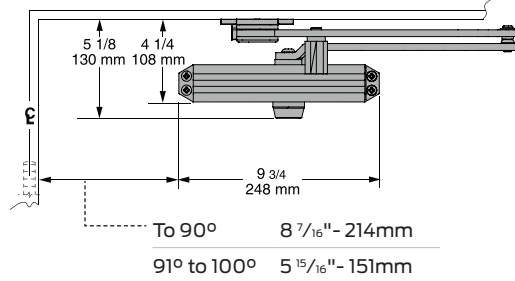
**Butt hinges** should not exceed 5" (127mm) in width.

**Auxiliary stop** is recommended at hold-open point, where a door cannot swing 180°, or where Dead stop or Spring-n-stop arm is not used.

**Top Rail** less than 4 1/4" (108mm) measured from stop requires plate SC60A-18PA.

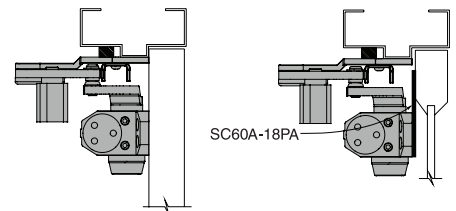


## SC60A Series dead stop HO (parallel)



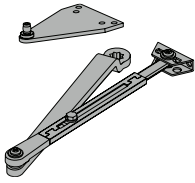
**Butt hinges** should not exceed 5" (127mm) in width.

**Top rail** less than 4 1/4" (108mm) measured from stop requires plate SC60A-18PA.

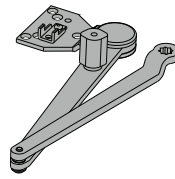


## Arm types

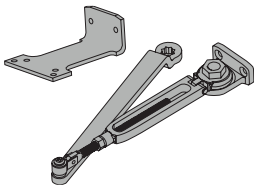
All SC60A Series closers come with standard arm and screw pack.



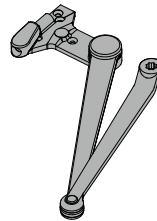
**Regular arm, SC60A-3077PA**  
Non-handed arm with adjustable forearm assembly to accommodate a range of doors and frame reveal conditions. Mounts hinge side, top jamb or parallel arm. PA shoe included to allow installation in a parallel arm configuration.



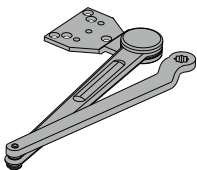
**Dead stop hold-open arm, SC60A-3049DS**  
Optional, non-handed, stamped, heavy duty, hold-open parallel arm includes a positive mechanical stop and non-adjustable forearm assembly for high volume traffic or potentially abusive installation conditions. Also includes a manually selective hold-open function.



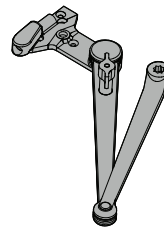
**Hold-open arm, SC60A-3049PA**  
Optional, non-handed, hold open arm with adjustable forearm assembly to accommodate a range of doors and frame reveal conditions. Mounts hinge side, top jamb or parallel arm. PA shoe included to allow installation in a parallel arm configuration.



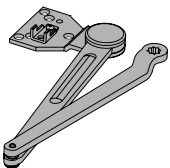
**Spring-n-stop arm, SC60A-3077SS**  
Optional, non-handed, extra heavy-duty, forged parallel arm includes an integral spring stop and non-adjustable forearm assembly for high volume traffic or potentially abusive installation conditions.



**Heavy duty regular arm, SC60A-3077HD**  
Optional, non-handed, stamped, heavy duty, parallel arm for use in high-traffic applications.



**Spring-n-stop hold-open arm, SC60A-3049SS**  
Optional, non-handed, extra heavy-duty, forged parallel arm includes an integral spring stop and non-adjustable forearm assembly for high volume traffic or potentially abusive installation conditions. Also includes a manually selective hold-open function.

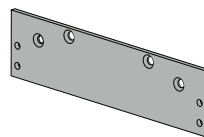


**Dead stop arm, SC60A-3077DS**  
Optional, non-handed, stamped, heavy duty, parallel arm includes a positive mechanical stop and non-adjustable forearm assembly for high volume traffic or potentially abusive installation conditions.

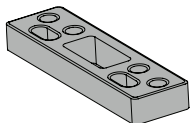
## Installation accessories



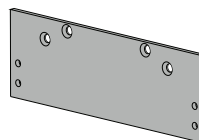
**Soffit shoe support, SC60A-30**  
Provides anchorage for fifth screw used with soffit shoe, where reveal is less than 3 1/16" (78mm).



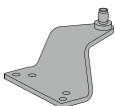
**Plate, SC60A-18**  
Required for top jamb mounting where head frame is less than 1 3/4" (44mm).



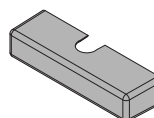
**Blade stop spacer, SC60A-61**  
Required to lower parallel arm shoe to clear 1/2" (13mm) blade stop.



**Plate, SC60A-18PA**  
Required for parallel arm mounting where top rail is less than 4 3/8" (111mm) for PA, 4 1/4" (108mm) for HD and DS, measured from the stop. Plate requires 2 3/8" (60mm) minimum top rail measured from stop.

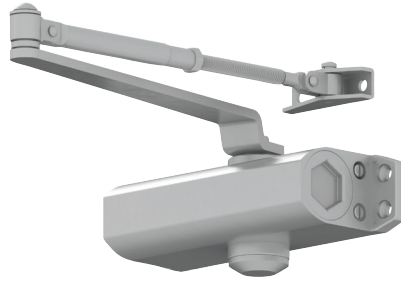


**Auxiliary shoe, SC60A-62A**  
Requires a top rail of 7" (178mm). Optional shoe replaces PA shoe for parallel arm mounting of regular arm with overhead holder/stop.



**Cover, SC60A-72**  
Optional, non-handed, slim line plastic cover. Designed for SC60A series.

# SC90A Series



Designed for light-duty interior applications the Falcon SC90A closer ensures smooth, reliable operation. The SC90A is backed by a 10-year warranty and is preset for easy installation.

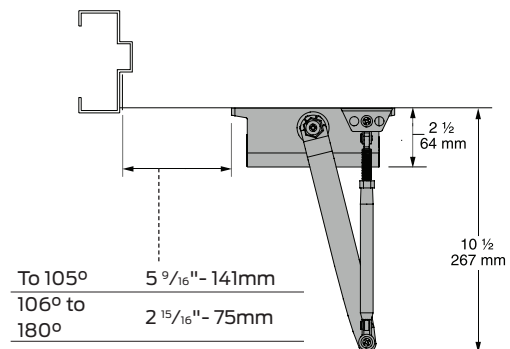
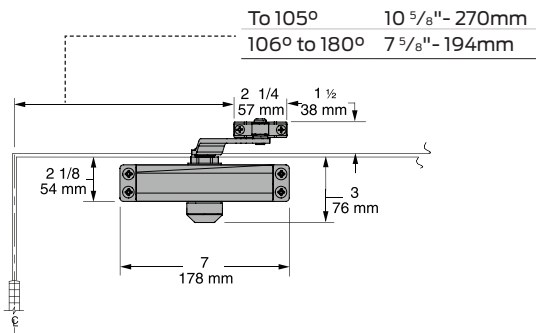
## Standard features

- Single piece cast aluminum body
- Fixed sizes 1, 3 and 4
- Separate adjustable general speed and latch speed
- SC90A closer mounts hinge side, top jamb, or parallel arm when the RW/PA arm is specified
- Non-handed for left or right swinging doors
- Heat-treated pinion and steel piston
- SC93A/94A comes standard with a universal screw pack for aluminum, hollow metal, and wood doors, includes self reaming and tapping screws
- Meets ANSI A117.1
- Listed ANSI/BHMA A156.4, grade 3
- Comes standard with adjustable backcheck; optional no backcheck available
- SC93A/94A is UL listed and compliant to UL10C and UBC 7-2 (1997)
- 10-year warranty
- Offered in aluminum and dark bronze finish

## Listings and ratings

The Falcon SC93A/94A Series is UL approved and compliant with the UL 10C and UBC 7-2 (1997) fire test. Additionally the SC91A closers are designed to meet the American Disabilities Act (ADA) and ANSI A117.1. The SC90A Series is listed ANSI/BHMA A156.4, Grade 3.

## SC91A Hinge (pull side)

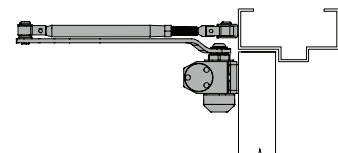


**Butt Hinges** should not exceed 5" (127mm) in width.

**Auxiliary Stop** is recommended at hold-open point or where a door cannot swing 180°.

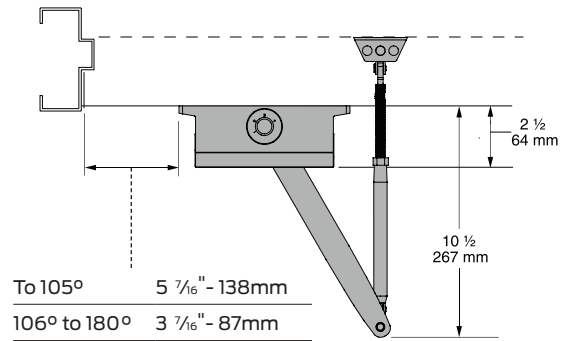
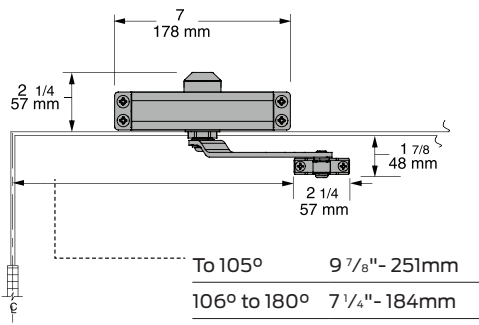
**Reveal** should not exceed 3/4" (19mm) for regular arm.

**Clearance** of 2 1/2" (64mm) behind door required for 90° installation.





## SC91A Top jamb (push side)

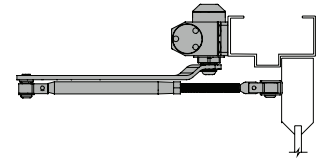


**Butt hinges** should not exceed 5" (127mm) in width.

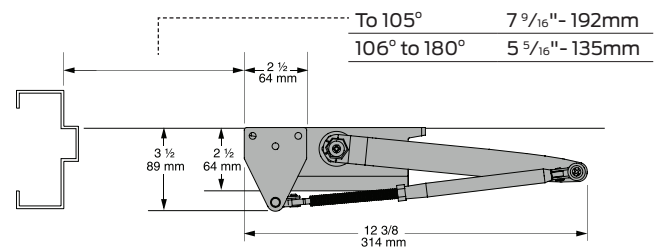
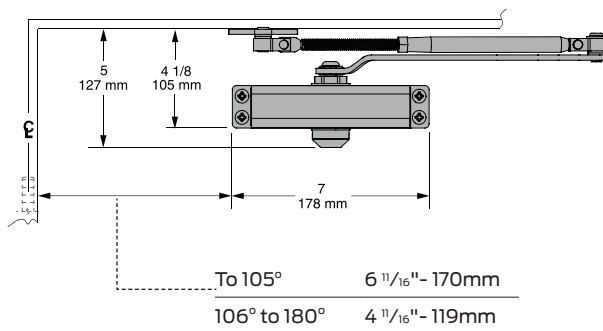
**Auxiliary stop** is recommended at hold-open point or where a door cannot swing 180°.

**Reveal** should not exceed 2" (51mm) for regular arm or hold-open arm.

Note: Top jamb mount is only available with the regular arm.

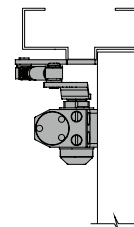


## SC91A Parallel (push side)



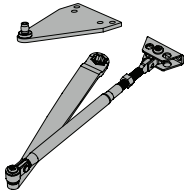
**Butt hinges** should not exceed 5" (127mm) in width.

**Auxiliary stop** is recommended at hold-open point or where a door cannot swing 180°.

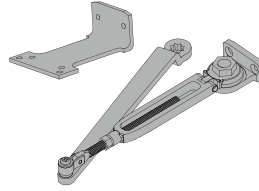


## Arm types and accessories

All SC91A closers come with standard arm. Optional pinion caps are also available for replacement.



**Regular arm, SC91A-3077PA**  
Non-handed arm with adjustable forearm assembly to accommodate a range of doors and frame reveal conditions. Mounts hinge side, top jamb or parallel arm. PA shoe included to allow installation in a parallel arm configuration. Available only on SC91A closers.

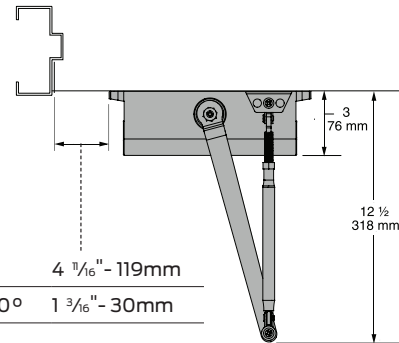
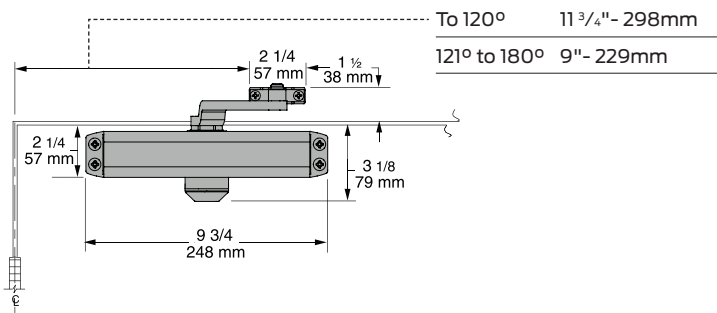


**Hold-open arm, SC91A-3049PA**  
Optional, non-handed, hold open arm with adjustable forearm assembly to accommodate a range of doors and frame reveal conditions. Mounts hinge side, top jamb or parallel arm. PA shoe included to allow installation in a parallel arm configuration. Available only on SC91A closers.



**Pinion cap, SC91A**  
Available for replacement with SC91A.

## SC93A/94A Hinge (pull side)

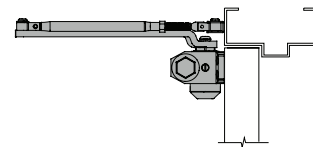


**Butt hinges** should not exceed 5" (127mm) in width.

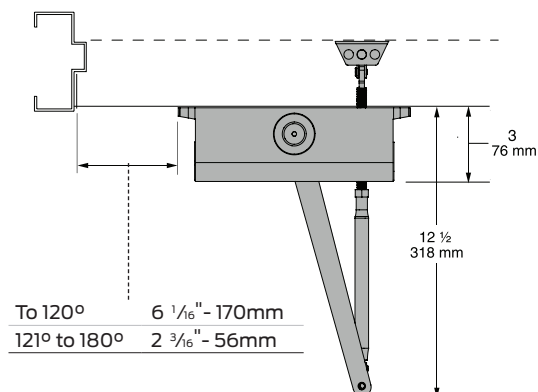
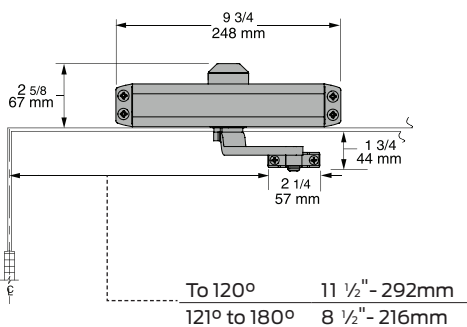
**Auxiliary stop** is recommended at hold-open point or where a door cannot swing 180°.

**Reveal** should not exceed 3/4" (19mm) for regular arm.

**Clearance** of 3" (76mm) behind door required for 90° installation.



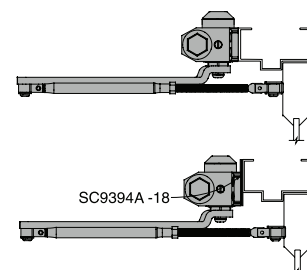
## SC93A/94A Top jamb (push side)



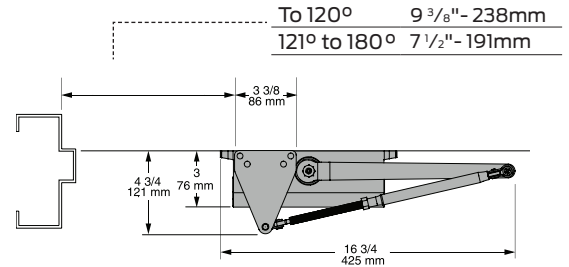
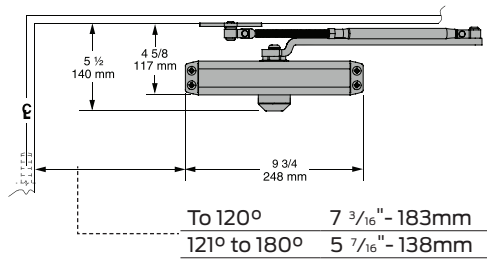
**Butt hinges** should not exceed 5" (127mm) in width.

**Auxiliary stop** is recommended at hold-open point or where a door cannot swing 180°.

**Reveal** should not exceed 3 1/4" (83mm) for regular arm.

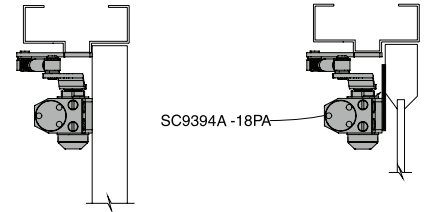


# SC93A/94A Parallel (push side)



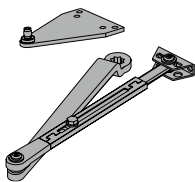
**Butt hinges** should not exceed 5" (127mm) in width.

**Auxiliary stop** is recommended at hold-open point or where a door cannot swing 180°. Backcheck closer with the backcheck option requires 105° mounting.



## Arm type and accessories

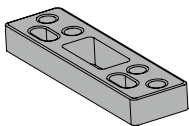
All SC93A/94A closers come with standard arm and screw pack. Optional accessories available for order.



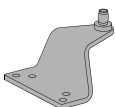
**Regular arm, SC90A-3077PA**  
Non-handed arm with adjustable forearm assembly to accommodate a range of doors and frame reveal conditions. Mounts hinge side, top jamb or parallel arm. PA shoe included to allow installation in a parallel arm configuration. Available with SC93A/94A only.



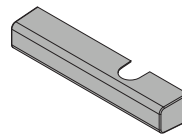
**Soffit shoe support, SC90A-30**  
Provides anchorage for fifth screw used with soffit shoe, where reveal is less than 3 1/16" (78mm).



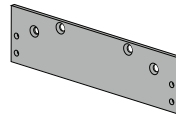
**Blade stop spacer, SC90A-61**  
Required to lower parallel arm shoe to clear 1/2" (13mm) blade stop.



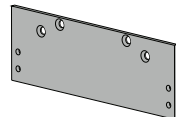
**Auxiliary shoe, SC90A-62A**  
Requires a top rail of 7" (178mm). Optional shoe replaces PA shoe for parallel arm mounting of regular arm with overhead holder/stop.



**Slim cover, SC90A-72**  
Optional non-handed, slim plastic cover. Available only with SC93A.



**Plate, SC90A-18**  
Required for top jamb mounting where head frame is less than 1 3/4" (44mm) or flush ceiling conditions exists. Available only with SC93A/94A.

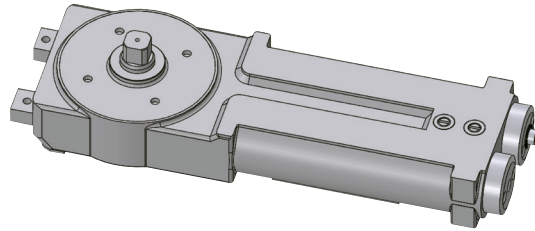


**Plate, SC90A-18PA**  
Required for parallel arm mounting where top rail is less than 4 5/8" (117 mm), measured from the stop. Plate requires 2 1/8" (54mm) minimum top rail measured from stop. Available only with SC93A/94A.



**Pinion cap, SC90A**  
Available for replacement with SC93A/94A.

# OHC100A Series



Overhead concealed closers control door opening and closing, while providing an aesthetically pleasing design option for both interior and exterior use. The Falcon OHC100A Series is used with aluminum doors and frames, providing years of maintenance-free performance.

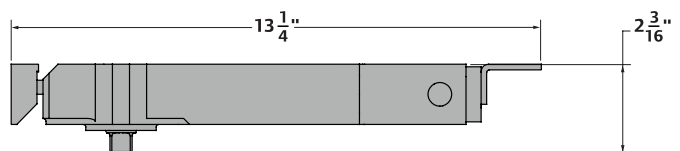
## Standard features

- Economical option for overhead concealed closer
- Retrofittable, matches Jackson hole pattern
- Cast iron construction ensures lasting durability
- Fits inside standard aluminum frame header for improved aesthetics and increased security
- 90° and 105° standard opening with optional hold-open
- Multiple size options available:
  - OHC 101 adjustable sizes 1-3
  - OHC 100 adjustable sizes 3-5
- Meets UL228
- 5-year warranty

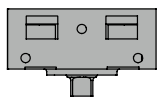
Top view



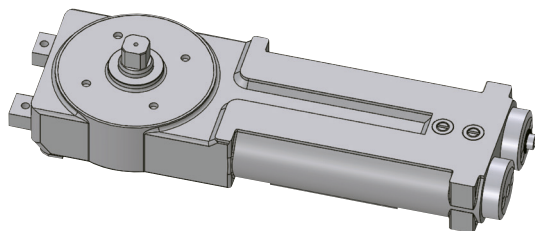
Side view



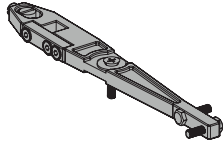
End view



Bottom view

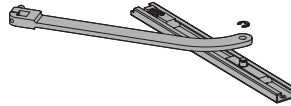


## Installation accessories



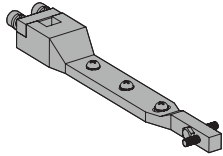
**“S” arm, OHC100-SL,  
OHC100A-SL**

Non-handed arm, side load,  
center hung, steel forge.



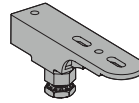
**“VO” arm, OHC100A-VO,  
OHC100A-VO**

Non-handed arm, offset arm  
w/ slide channel, steel forge.



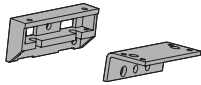
**“A” arm, OHC100A-EL,  
OHC100A-EL**

Non-handed arm, end load, center  
hung, steel forge.



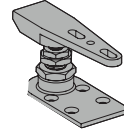
**“GE” pivots, OHC100-GE,  
OHC100A-GE**

Non-handed, adjustable height,  
center hung, used with side load  
arm.



**“AFK” mounting brackets, OHC100A-AFK**

Provides anchorage for adjustable size  
cylinder to the door frame.



**“DP” pivots, OHC100-DP,  
OHC100A-DP**

Non-handed, adjustable height,  
center hung, used with end load  
arm.

# 8200 Series

## The automatic operator that changes everything

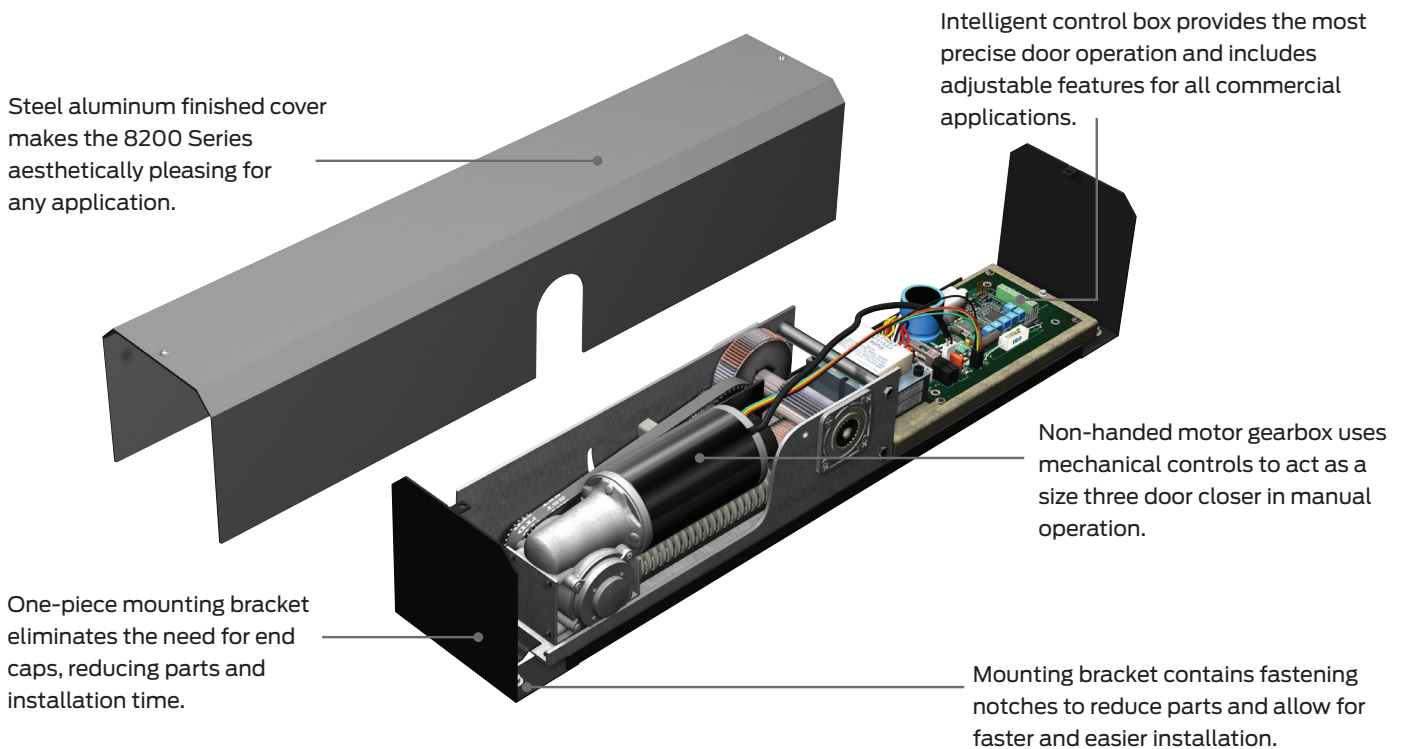
### Beauty, value and versatility are now automatic

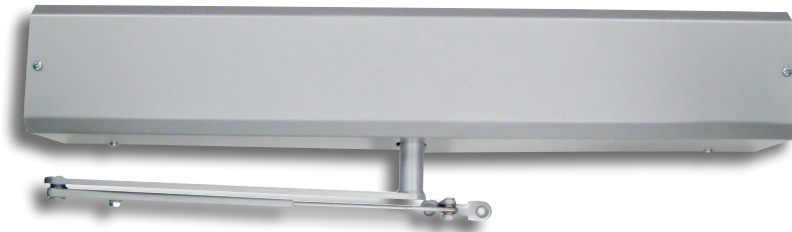
When you need a smart solution to improve accessibility the Falcon 8200 Series fits perfectly. Designed for applications like assisted living and ambulatory care, where ease of use is critical, the Falcon automatic operator provides dependable performance at an affordable price point. Everything you need is right in the box, making installation quick and simple. All necessary features are built right in, so configuring the closer is simple and you can easily make more openings more accessible than ever.

### Designed to fit perfectly


The small footprint and elegant design of the Falcon 8200 Series make it a perfect solution for a range of applications.


- Assisted living • Hospitality • Retail • Small office • Restaurants • Ambulatory care








The Falcon 8200 Series automatic operator ensures smooth, convenient door opening for areas requiring easy accessibility and ADA compliance. This versatile device can also be easily integrated into electrified openings with our wireless accessory offering. Choose the 8231 for pull side or the 8242 for push side installation.


 **SmartLatch** – Senses and overcomes external pressure conditions with a graduated energy assist for secure latching.

 **Push ‘n’ Go** – Selectable feature allows door to open automatically as soon as it feels pressure.

 **Open position learning** – Automatically sets the opening position and detects obstructions to eliminate wall and door damage.

 **Pre-load strike assist** – Removes load on strike lip with a one second delay allowing the door to release and automatically open.

 **LED light illumination** – Light illumination on control box signals accurate installation and helps with connection diagnostics.

 **On board power supply (12 VAC)** – Powers actuators and receivers without the need to install an external power supply.

### Specifications

Header length	26"
Mounting	Surface mount
Handing	Non-handed
Cycle tested	1 million gear box
Door weight	200 pounds

Consult technical services for use on doors over 200 lbs.

Adjustable features:

- Hold-open time delay
- Backcheck speed
- Backcheck/latch position
- Opening/closing speed

## Actuators and accessories



8310-852T shown

### 6" Round – text with logo

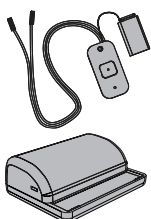
8310-852T	Push plate, wall mount
8310-869F	Mounting box, flush
8310-869S	Mounting box, surface
8310-802	Weather ring



8310-818T shown

### 1 1/2" 4 3/4" Jamb – text with logo

8310-818T	Push plate, jamb mount
8310-819F	Mounting box, flush
8310-819S	Mounting box, surface

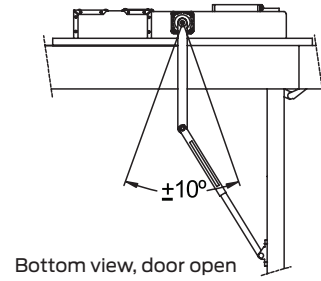
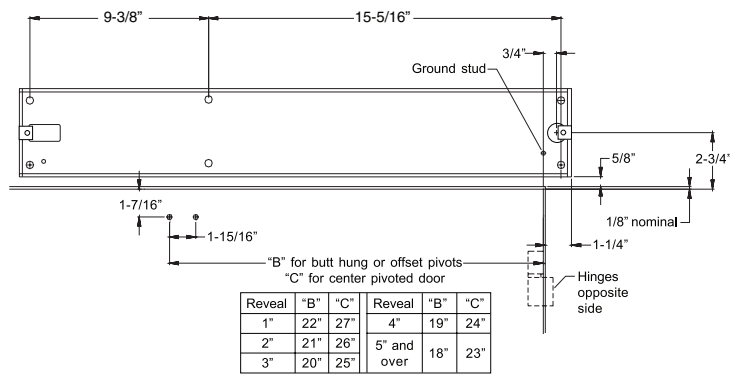


8310-844J and 8310-865 shown

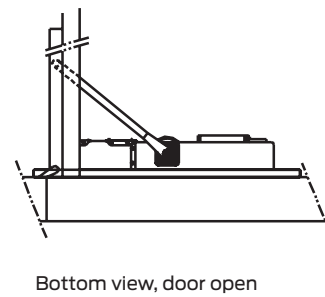
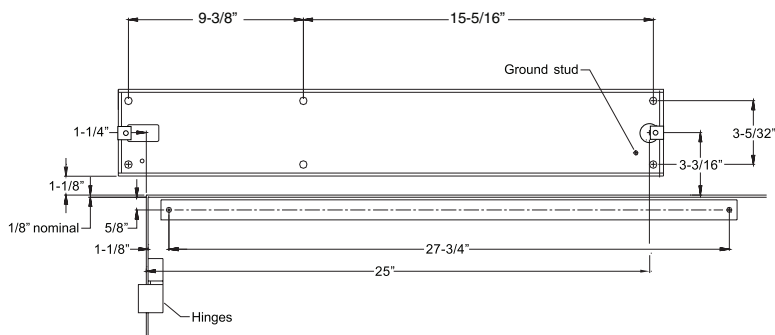
### Wireless transmitters & receiver

8310-844	Transmitter, wall mount (to be used with 6" round wall mounted actuator)
8310-844J	Transmitter, Jamb mount (to be used with 1 1/2" x 4 3/4" jamb actuator)
8310-861	Transmitter, Handheld (single button wireless handheld transmitter)
8310-865	Receiver (wireless receiver with sequencing function)

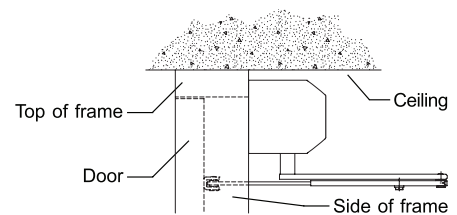
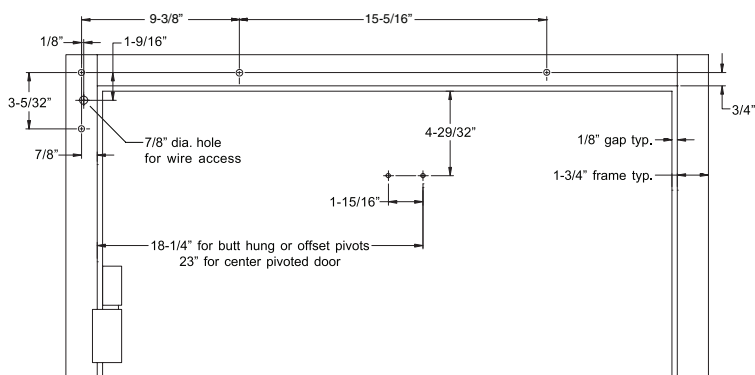
## 26" Push system



## 26" Pull system



## 26" Drop system (push system only)





# How to order

## SC70A Series

		Cylinder	Cover	Arm	Finish	Accessories
<b>STD</b>	SC71A Standard					
<b>DEL**</b>	SC71A Delay					
<b>Full cover</b>	SC70A-72					
<b>RW/PA</b>	Regular with parallel arm shoe					
<b>HW/PA</b>	Hold open with parallel arm shoe					
<b>HD</b>	Heavy duty arm					
<b>DS</b>	Dead stop arm					
<b>DS/HO</b>	Dead stop hold open arm					
<b>SS</b>	Spring stop arm					
<b>SS/HO</b>	Spring stop hold open arm					
<b>FA</b>	Forged arm					
<b>FA/HO</b>	Forged arm with hold open					
<b>Matte black**</b>	622					
<b>Aluminum</b>	689					
<b>Dark bronze</b>	695					
<b>Brass*</b>	696					
<b>Soffit shoe support</b>	SC70A-30					
<b>Blade stop spacer</b>	SC70A-61					
<b>Auxiliary shoe</b>	SC70A-62A					
<b>Top jamb plate</b>	SC70A-18					
<b>PA Plate</b>	SC70A-18PA					
<b>Full cover</b>	SC70A-72					

\*Contact customer service at 1-877-671-7011 for lead time information.

\*\*Matte Black (622) is not available for Delayed action cylinders.

Note: SC71A models are adjustable sizes 1-6

## SC80A Series

		Cylinder	Cover	Arm	Finish	Accessories
<b>STD</b>	SC81A Standard					
<b>DEL**</b>	SC81A Delay					
<b>Slim cover</b>	SC80A-72					
<b>Full cover</b>	SC80A-72FC (optional, please specify)					
<b>RW/PA</b>	Regular with parallel arm shoe					
<b>HW/PA</b>	Hold open with parallel arm shoe					
<b>HD</b>	Heavy duty arm					
<b>DS</b>	Dead stop arm					
<b>DS/HO</b>	Dead stop hold open arm					
<b>SS</b>	Spring stop arm					
<b>SS/HO</b>	Spring stop hold open arm					
<b>Matte black**</b>	622					
<b>Aluminum</b>	689					
<b>Dark bronze</b>	695					
<b>Brass*</b>	696					
<b>Soffit shoe support</b>	SC80A-30					
<b>Blade stop spacer</b>	SC80A-61					
<b>Auxiliary shoe</b>	SC80A-62A					
<b>Top jamb plate</b>	SC80A-18					
<b>Top jamb plate - full cover</b>	SC80A-18FC					
<b>PA Plate</b>	SC80A-18PA					
<b>PA Plate - full cover</b>	SC80A-18PAFC					
<b>Slim cover</b>	SC80A-72					
<b>Full cover</b>	SC80A-72FC					

\* Contact customer service at 1-877-671-7011 for lead time information.

\*\* Matte Black (622) is not available for Delayed action cylinders.

Note: SC81A models have adjustable sizes 1-6

## SC60A Series

		Cylinder	Cover	Arm	Finish	Accessories
<b>STD**</b>	SC61A Standard					
<b>Slim cover</b>	SC60A-72 (optional, available with SC61A only, please specify)					
<b>RW/PA</b>	Regular with parallel arm shoe					
<b>HW/PA</b>	Hold open with parallel arm shoe					
<b>HD</b>	Heavy duty arm					
<b>DS</b>	Dead stop arm					
<b>DS/HO</b>	Dead stop hold open arm					
<b>SS</b>	Spring stop arm					
<b>SS/HO</b>	Spring stop hold open arm					
<b>Matte black</b>	622					
<b>Aluminum</b>	689					
<b>Dark bronze</b>	695					
<b>Brass</b>	696					
<b>Soffit shoe support</b>	SC60A-30					
<b>Blade stop spacer</b>	SC60A-61					
<b>Auxiliary shoe</b>	SC60A-62A					
<b>Top jamb plate</b>	SC60A-18					
<b>PA Plate</b>	SC60A-18PA					
<b>Slim cover</b>	SC60A-72					

Note: SC60A Series comes standard with less cover and all models have adjustable sizes 1-5.

## SC90A Series

		Cylinder	Size	Cover	Arm	Finish	Accessories
<b>STD*</b>	Standard						
<b>LBC</b>	Less backcheck option						
<b>1</b>	SC91A						
<b>3</b>	SC93A						
<b>4</b>	SC94A						
<b>Slim cover</b>	SC90A-72 (only available on SC93A/94A)						
<b>RW/PA</b>	Regular with parallel arm shoe						
<b>HW/PA</b>	Hold open with parallel arm shoe (only available on SC91A)						
<b>Soffit shoe support</b>	SC90A-30						
<b>Blade stop spacer</b>	SC90A-61						
<b>Auxiliary shoe</b>	SC90A-62A						
<b>Aluminum</b>	689						
<b>Dark bronze</b>	695						
<b>Plate</b>	SC90A-18 (available with SC93A/94A only)						
<b>Plate PA</b>	SC90A-18PA (available with SC93A/94A only)						
<b>Slim cover</b>	SC90A-72 (available with SC93A/94A only)						

\*STD comes with less cover and adjustable backcheck.

## OHC100 Series

		Cylinder	Size	Arm finish	Arm	Accessories
<b>STD 90°</b>	Standard					
<b>STD 105°</b>						
<b>HO 90°</b>	Hold Open					
<b>HO 105°</b>						
<b>1-3</b>	OHC101	Adjustable				
<b>3-5</b>	OHC100	Adjustable				
<b>Dark bronze</b>	695 (Only OCH100 cylinder finish; available on VO arms)					
<b>Aluminum</b>	689 (Only finish for OHC100 arms <b>except</b> VO arms)					
<b>S</b>	Side load arm					
<b>A</b>	End load arm					
<b>VO</b>	Offset arm and track					
<b>AFK bracket</b>						
<b>GE pivot*</b>						
<b>DP pivot*</b>						

\*Not available with VO arm type.

## 8200 Series

		Cylinder	Size	Cover	Finish	Arm	Accessories
<b>STD</b>	Standard						
<b>3</b>							
<b>Full cover</b>	26"						
<b>Aluminum</b>	689						
<b>Push</b>	8242						
<b>Pull</b>	8231						
<b>Order separate</b>	8310-XXX						

## Cylinder options

**Standard cylinder (STD)** – Standard cylinder provides a main speed function to control the motion of the door from maximum opening angle until the door is a few inches from the latch where latch function controls the final closing motion. The opening swing is controlled by the hydraulic backcheck function from about 70° to maximum opening angle.

**Delayed action cylinder (DEL)** – Special cylinder provides a separate adjustable delayed closing motion from maximum opening angle to approximately 70°. Then the main speed function controls the door motion until the door is a few inches from the latch where latch function controls the final closing motion. During the opening swing the door is controlled by the hydraulic backcheck function from about 70° to maximum opening angle.

## Competitive cross reference

### Surface closer cross reference

Falcon	SC60A	SC70A	SC80A	SC90A
Norton	*1600BC	*7500/ 7700	*8500	1700BC
Hager	*5300	5100	*5200	5400
Stanley	*D-1650	D-4550	D-3550	
Yale	*50/ 51BC/ 1100	*4400	3300/ *3500	5100BC
Sargent	*1130	280/350	*1330	
Corbin		DC8000	DC3000	
Dorma	7400	8900	*8600	7300/ 7200

\* Identical footprint to listed Falcon closer.

### Concealed closer cross reference

Falcon	OHC100 Series
Dorma	RTS88
Global	TC7000
International	Series 200, Series 300, Series 500
Jackson	20-330
Kawneer	Husky II
Sentinel	30 Series

# Sample specifications

## Large cylinder closer

### 2.01 Closers and door control devices

- A. Where manual closers are indicated for doors required to be accessible to the physically challenged, provide adjustable units complying with ANSI A117.1 provisions for door opening force and delayed action closing.
- B. Shall conform to ANSI A156.4, grade 1, NFPA 80, NFPA 101 and UL10C.
- C. Closers shall be aluminum construction with steel lever arms, independent adjusting valves for closing, latching and back check. Hydraulic regulation controlled by tamper-proof, non-critical screw valves. All closer adjustments shall be shielded by plastic cover after installation. Pressure relief valve, PRV, doors closers will not be permitted.
- D. Full rack-and-pinion type closer, single-piece forged piston, chrome silicon steel spring, non-critical screw valves; backcheck, main speed and latch.
- E. Closers to be non-sized, field adjustable from size 1 to 6.
- F. Furnish all large cylinder non-sized closers with minimum 1 ½" diameter piston.
- G. Install closers to allow maximum degree of opening, position backcheck to activate well in advance of the stop position to cushion the swing and prevent door and frame damage. Do not use door closer to stop door travel. Unless specified, install closers with thru-bolt mounting method on metal and wood doors. Do not use thru bolt if there has been special blocking specified in the wood door specification. Coordinate with the wood door specification.
- H. Available manufacturers: Subject to compliance with requirements. See competitive cross reference above.





## About Allegion

Allegion (NYSE: ALLE) is a global pioneer in seamless access, with leading brands like CISA®, Interflex®, LCN®, Schlage®, SimonsVoss® and Von Duprin®. Focusing on security around the door and adjacent areas, Allegion secures people and assets with a range of solutions for homes, businesses, schools and institutions.

For more, visit [www.allegion.com](http://www.allegion.com)

KRYPTONITE ■ LCN ■  ■ STEELCRAFT ■ VON DUPRIN