

DON-JO MFG., INC.

ARCHITECTURAL HARDWARE & ACCESSORIES

LATCH PROTECTORS




PHONE: 978.422.3377
FAX: 978.422.3467
Toll Free: 800.628.8389
Toll Free Fax: 800.278.8202

www.don-jo.com
info@don-jo.com
sales@don-jo.com
orders@don-jo.com
Section I, Version 2



INDEX

MODEL	PAGE #	MODEL	PAGE #	MODEL	PAGE #	MODEL	PAGE #
9211.....	7g	GLP-307-RHR.....	3g	MELP-210-EBF.....	5g	PLP-211.....	7g
9211-EBF.....	7g	ILP-206.....	3g	MLP-111.....	6g	PLP-211-EBF.....	7g
AL-211.....	5g	ILP-212.....	3g	MLP-111-EBF.....	6g	PMLP-111.....	6g
ALP-206.....	11g	KLP-110-LHR.....	10g	MLP-211.....	6g	PMLP-111-EBF.....	6g
ALP-210.....	11g	KLP-110-RHR.....	10g	MLP-211-EBF.....	6g	PMLP-211.....	6g
BLP-107.....	8g	LELP-208.....	5g	NELP-207.....	4g	PMLP-211-EBF.....	6g
BLP-110.....	8g	LELP-208-EBF.....	5g	NLP-106.....	9g	PULP-111.....	7g
BLP-207.....	8g	LP-107.....	8g	NLP-110.....	9g	PULP-211.....	7g
BLP-210.....	8g	LP-107-EBF.....	8g	NLP-206.....	9g	SLP-106.....	8g
CLP-106.....	9g	LP-207.....	8g	NLP-210.....	9g	SLP-106-EBF.....	8g
CLP-110.....	9g	LP-207-EBF.....	8g	OLP-2650.....	4g	SLP-206.....	8g
DLP-107.....	11g	LP-111.....	7g	OLP-2651.....	4g	SLP-206-EBF.....	8g
DLP-110.....	11g	LP-111-EBF.....	7g	OSLP-107.....	10g	TLP-110.....	10g
DLP-207.....	11g	LP-211.....	7g	OSLP-107-EBF.....	10g	TLP-210.....	10g
DLP-210.....	11g	LP-211-EBF.....	7g	OSLP-110.....	10g	ULP-111.....	6g
ELP-208.....	5g	LP-307.....	3g	OSLP-110-EBF.....	10g	ULP-211.....	6g
ELP-208-EBF.....	5g	LP-312.....	4g	OSLP-207.....	10g	WSLP-104.....	9g
ELP-208P.....	5g	LP-312-EBF.....	4g	OSLP-207-EBF.....	10g	WSLP-204.....	9g
ELP-208P-EBF.....	5g	LP-312P.....	4g	OSLP-210.....	10g	Display	
FLP-111.....	5g	LP-312P-EBF.....	4g	OLSP-210-EBF.....	10g	Packs.....	Back Page
FLP-211.....	5g	LP-2878.....	11g	PLP-111.....	7g		
GLP-307-LHR.....	3g	MELP-210.....	5g	PLP-111-EBF.....	7g		



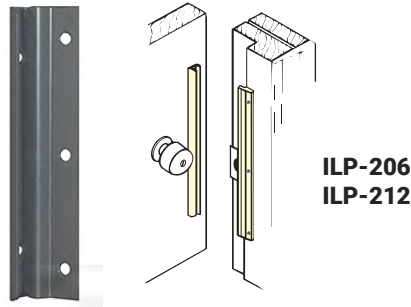
EBF

- Special Fasteners to prevent interference with the frame
- Available on selected Latch Protectors as an option

FINISHES

BP	Brass Plated	
BC	Brass Coated	
CP	Chrome Plated	
DU	Duronatic Brown Coated	
PC	Prime Coated	
SL	Silver Coated	
605	Polished Brass	US-3
613	Dark Bronze	US10B
619	Satin Nickel	US-15
620	Antique Nickel	US-15A
622	Black	US-19
625	Polished Chrome	US-26
626	Satin Chrome	US-26D
629	Polished Stainless Steel	US-32
630	Brushed Stainless Steel	US-32D

The **INTERLOCK** for inswinging doors



ILP-206
ILP-212

NUMBER	DIMENSIONS	MATERIAL
ILP-206	6"	Steel
ILP-212	12"	Steel

SHELF PACK: 10

Display Package Size 4" x 12" and 4" x 16"

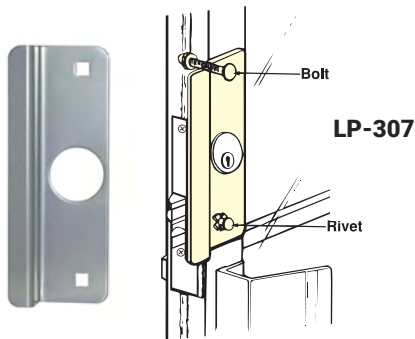
Gauge: 14 (.075)

FEATURES: • 6" version for use with key-in-knob and deadbolt locks

- 12" version for use with Mortise Locks, Simplex 1000 series, Alarm Lock DL-2500, DL-2700 & 3000, Card Access Systems, etc.

FINISHES: BP, CP, DU, SL, 622

For **ALUMINUM ENTRANCE** Doors



LP-307

NUMBER	DIMENSIONS	MATERIAL
LP-307	2 5/8" x 7"	Steel/Stainless Steel

SHELF PACK: 10

Display Package Size 4" x 12"

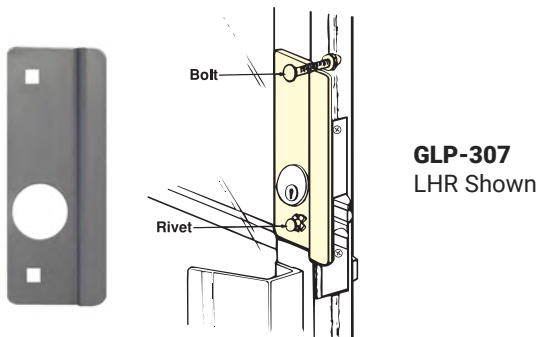
Gauge: 12 (.104)

FEATURES: • Reversible

- Fits over cylinder - lock removal NOT required
- Hand carriage bolt and rivet supplied
- No specific tools required
- 3/8" offset

FINISHES: 630, DU, SL, 622

For **ALUMINUM ENTRANCE DOORS** – Solves Pull Handle Interference



GLP-307
LHR Shown

NUMBER	DIMENSIONS	MATERIAL
GLP-307 LHR	2 5/8" x 7"	Steel/Stainless Steel
GLP-307 RHR	2 5/8" x 7"	Steel/Stainless Steel

SHELF PACK: 10

Polybagged

Gauge: 12 (.104)

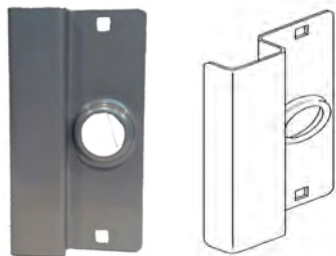
FEATURES: • Fits over cylinder - lock removal NOT required

- Hand carriage bolt and rivet supplied
- No specific tools required
- 3/8" offset

• Center of cylinder hole is 2 1/2" from end of plate

FINISHES: 630, DU, SL, 622

For use with **ALUMINUM ENTRANCE DOORS**

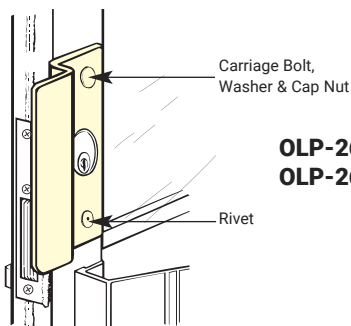


NELP-207

NUMBER	DIMENSIONS	MATERIAL
NELP-207	3 9/16" x 7"	Steel

SHELF PACK: 10 Polybagged
 Gauge: 12 (.104)
 FEATURES: • Works with Adams Rite locks
 • Protects electric strikes from attack
 • Protects cylinder collar from wrenching
 • Stops crowbar attacks
 FINISHES: DU, SL, 622

For use with **CENTER HUNG OUTSWING ALUMINUM DOORS**

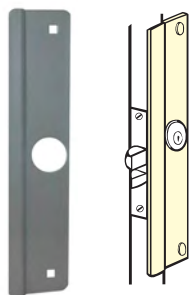


OLP-2650
OLP-2651

NUMBER	DIMENSIONS	MATERIAL
OLP-2650	2 5/8" x 6 1/2"	Steel
OLP-2651	2 5/8" x 6 1/2"	Steel

SHELF PACK: 10 Polybagged
 Gauge: 12 (.104)
 FEATURES: • (OLP-2650) available in 1 1/8" offset
 • (OLP-2651) available in 1 3/8" offset
 FINISHES: DU, SL, 622

Fits **ADAMS RITE LATCH LOCK** for outswinging Doors

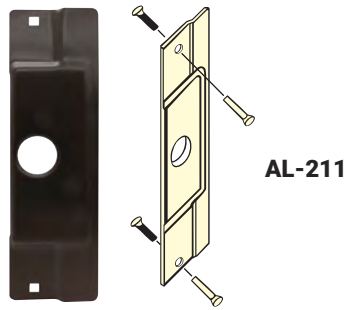


LP-312
LP-312P

NUMBER	DIMENSIONS	MATERIAL
LP-312	2 5/8" x 12"	Steel
LP-312P	2 5/8" x 12"	Steel
LP-312-EBF	2 5/8" x 12"	Steel
LP-312P-EBF	2 5/8" x 12"	Steel

SHELF PACK: 10 Polybagged
 Gauge: 12 (.104)
 FEATURES: • Reversible
 • 3/8" offset - 1 7/16" hole - 1 1/8" backset
 • LP-312P No Center Hole
 FINISHES: DU, SL, 622

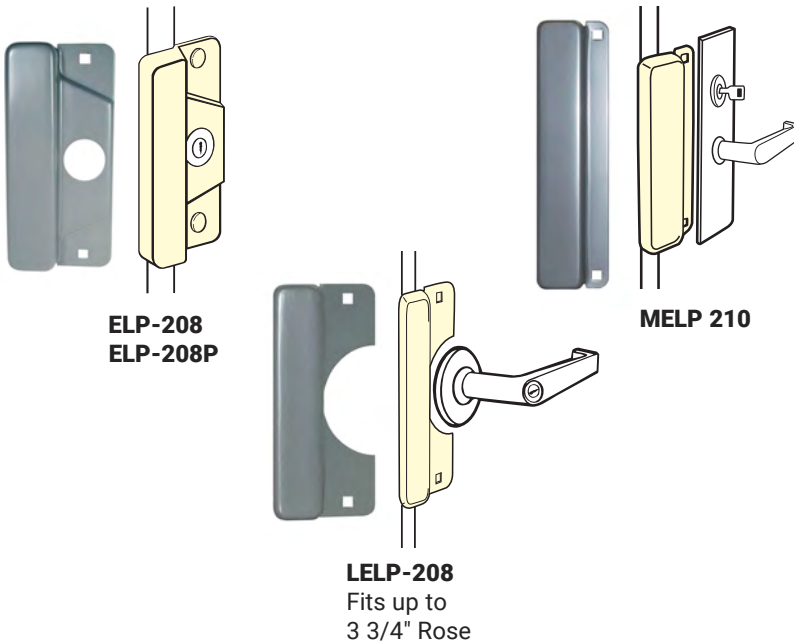
For outswinging **ALUMINUM ENTRANCE DOORS**



NUMBER	DIMENSIONS	MATERIAL
AL-211	3 1/2" x 12"	Steel

SHELF PACK: 10 Polybagged
 Gauge: 12 (.104)
 FEATURES: Sex nuts and bolts for secure mounting and professional appearance
 FINISHES: DU, SL, 622

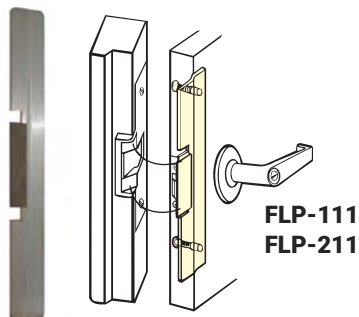
For use with **ELECTRIC STRIKES**



NUMBER	DIMENSIONS	MATERIAL
ELP-208	3 1/2" x 8"	Steel
ELP-208P	3 1/2" x 8"	Steel
LELP-208	3 1/2" x 8"	Steel
MELP-210	2 5/8" x 10"	Steel
ELP-208-EBF	3 1/2" x 8"	Steel
ELP-208P-EBF	3 1/2" x 8"	Steel
LELP-208-EBF	3 1/2" x 8"	Steel
MELP-210-EBF	2 5/8" x 10"	Steel

SHELF PACK: 10 Polybagged
 Gauge: 12 (.104)
 FEATURES: • Available with or without cylinder hole
 • Designed to fit most electric strikes
 • Completely encases the keeper for maximum protection (pocket clearance is 7/8")
 • Use with Mortise, Keyless Locks & Exit Devices
 • ELP-208P No Cylinder Hole
 FINISHES: DU, SL, 622

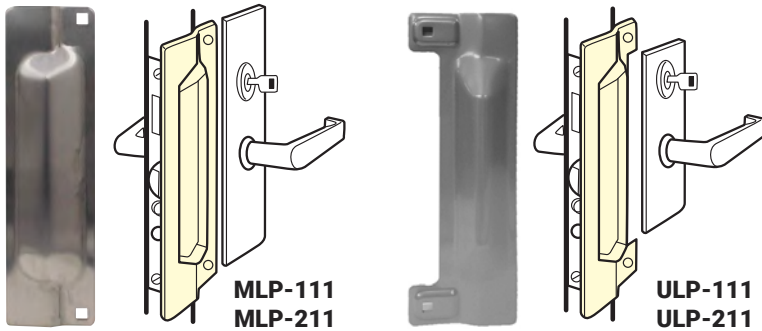
Fits **FOLGER ADAMS ELECTRIC STRIKE** for outswinging doors



NUMBER	DIMENSIONS	MATERIAL
FLP-111	1 3/4" x 11 1/4"	Stainless Steel
FLP-211	1 3/4" x 11 1/4"	Steel

SHELF PACK: 10 Polybagged
 Gauge: 12 (.104)
 FEATURES: Works with Folger Adams 310 & 710 models
 FINISHES: (FLP-111) 630
 (FLP-211) BP, DU, 622

American's favorite for **OUTSWINGING DOORS** – completely covers the strike plate



NUMBER	DIMENSIONS	MATERIAL
MLP-111	3" x 11"	Stainless Steel
MLP-211	3" x 11"	Steel
MLP-111-EBF	3" x 11"	Stainless Steel
MLP-211-EBF	3" x 11"	Steel
ULP-111	3.5" x 11.75"	Stainless Steel
ULP-211	3.5" x 11.75"	Steel

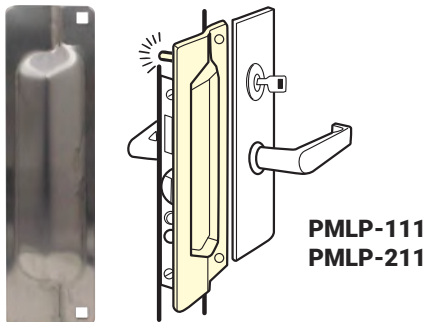
SHELF PACK: 10 Polybagged

Gauge: 12 (.104)

FEATURES: (MLP-111, MLP-211) Furnished with carriage bolts, washers & acorn cap nuts for safety and strength
 (MLP-111-EBF, MLP-211-EBF) Furnished w/carriage bolt & sex nut
 (ULP-111, ULP-211) Cut out size: 8.75"

FINISHES: (MLP-111, ULP-111) 630
 (MLP-211) BP, CP, DU, SL, 622
 (ULP-211) BP, DU, SL, 626, 622

Pin Latch protectors for **OUTSWINGING DOORS**



NUMBER	DIMENSIONS	MATERIAL
PMLP-111	3" x 11"	Stainless Steel
PMLP-211	3" x 11"	Steel
PMLP-111-EBF	3" x 11"	Stainless Steel
PMLP-211-EBF	3" x 11"	Steel

SHELF PACK: 10 Polybagged

Gauge: 12 (.104)

FEATURES: (PMLP-111, PMLP-211)

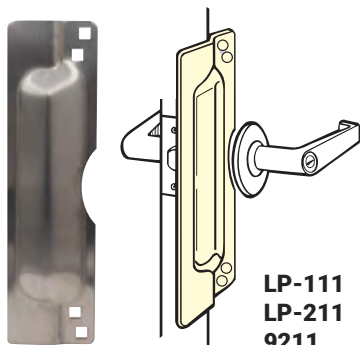
- Solid steel pin prevents spreading of door from frame
- Pin is welded on back leaving no visible point of attack from outside

FINISHES: (PMLP-111) 630
 (PMLP-211) BP, CP, DU, SL
 (PMLP-211) BP, DU, SL, 626, 622

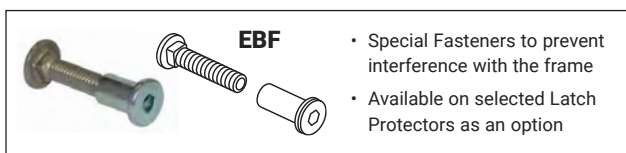
American's favorite for **OUTSWINGING DOORS** – completely covers the strike plate

SAVE \$!

Product available polybagged
To order, replace "LP" with "9".
(i.e., LP-211 will become 9211)



**LP-111
LP-211
9211**



- Special Fasteners to prevent interference with the frame
- Available on selected Latch Protectors as an option

NUMBER	DIMENSIONS	MATERIAL
LP-111	3" x 11"	Stainless Steel
LP-211	3" x 11"	Steel
9211	3" x 11"	Steel
LP-111-EBF	3" x 11"	Stainless Steel
LP-211-EBF	3" x 11"	Steel
9211-EBF	3" x 11"	Steel

SHELF PACK: 10 Display Package Size - 4" x 16"
(9211, LP-111) Polybagged

Gauge: 12 (.104)

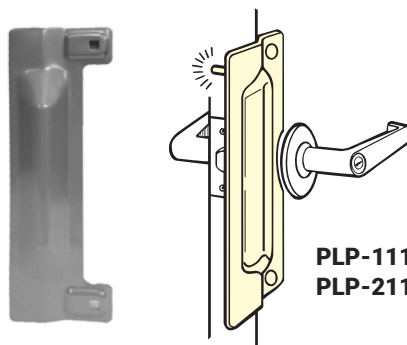
FEATURES: • Furnished with carriage bolts, washers & acorn cap nuts for safety and strength
• Fits 2 3/4" and 2 3/8" backsets

FINISHES: (LP-111) 630
(LP-211) BP, CP, DU, PC, SL, 622

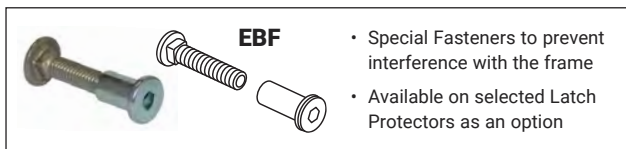
See inside back cover for display packaging options

Pin Latch protectors for **OUTSWINGING DOORS**

**PULP-111
PULP-211**



**PLP-111
PLP-211**



- Special Fasteners to prevent interference with the frame
- Available on selected Latch Protectors as an option

NUMBER	DIMENSIONS	MATERIAL
PLP-111	3" x 11"	Stainless Steel
PLP-211	3" x 11"	Steel
PLP-111-EBF	3" x 11"	Stainless Steel
PLP-211-EBF	3" x 11"	Steel
PULP-111	3.5" x 11.75"	Stainless Steel
PULP-211	3.5" x 11.75"	Steel

SHELF PACK: 10 Polybagged

Gauge: 12 (.104)

FEATURES: • Solid steel pin prevents spreading of door from frame

• Pin is welded on back leaving no visible point of attack from outside

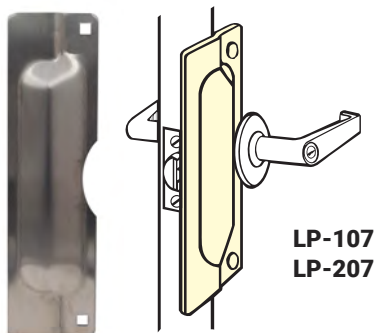
• Fits 2 3/4" and 2 3/8" backsets

(PULP-111, PULP-211) Cut out size: 8.75"

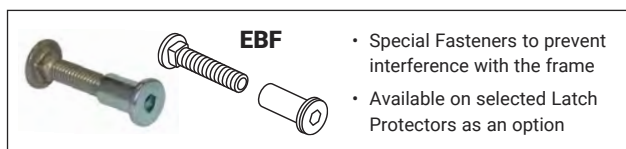
FINISHES: (PLP-111, PULP-111) 630

(PLP-211, PULP-211) BP, DU, SL, 622, 626

For **OUTSWINGING DOORS**



LP-107
LP-207



EBF

- Special Fasteners to prevent interference with the frame
- Available on selected Latch Protectors as an option

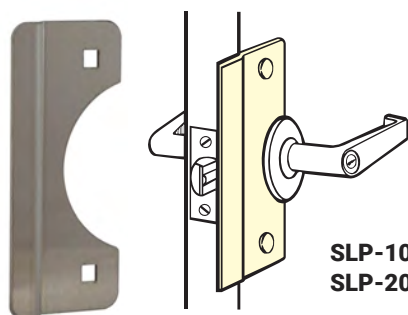
NUMBER	DIMENSIONS	MATERIAL
LP-107	2 3/4" x 7"	Stainless Steel
LP-207	2 3/4" x 7"	Steel
LP-107-EBF	2 3/4" x 7"	Stainless Steel
LP-207-EBF	2 3/4" x 7"	Steel

SHELF PACK: 10 Display Package Size - 4" x 12"
Gauge: 12 (.104)

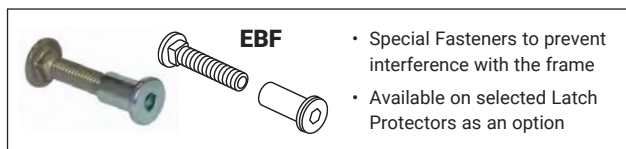
FEATURES: Furnished with carriage bolts, washers & acorn cap nuts for safety and strength

FINISHES: (LP-107) 630
(LP-207) BP, CP, DU, SL, 622

SHORT OFFSET TYPE FOR OUTSWINGING DOORS



SLP-106
SLP-206



EBF

- Special Fasteners to prevent interference with the frame
- Available on selected Latch Protectors as an option

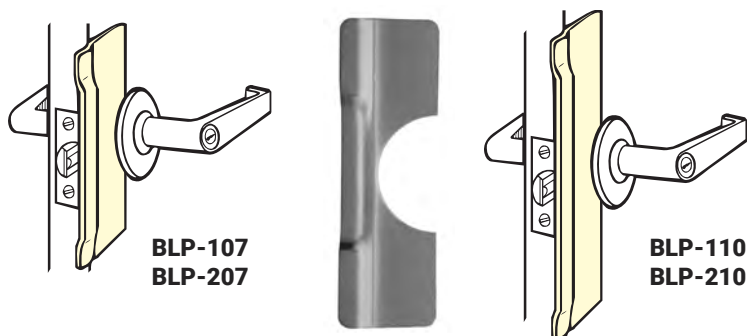
NUMBER	DIMENSIONS	MATERIAL
SLP-106	2 5/8" x 6"	Stainless Steel
SLP-206	2 5/8" x 6"	Steel
SLP-106-EBF	2 5/8" x 6"	Stainless Steel
SLP-206-EBF	2 5/8" x 6"	Steel

SHELF PACK: 10 Display Package Size - 4" x 12"
Gauge: 12 (.104)

FEATURES: • Display Packaged
• May be used on hollow metal door/frame using ANSI strike
• Works with up to 3 3/4" rose
• Furnished with carriage bolts, washers & acorn cap nuts for safety and strength
• 3/8" offset

FINISHES: (SLP-106) 630
(SLP-206) BP, CP, DU, SL, 622

For **KEY-IN-LEVER LOCKS** with up to **3 3/4" ESCUTCHEON**



BLP-107
BLP-207

BLP-110
BLP-210

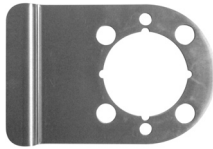
NUMBER	DIMENSIONS	MATERIAL
BLP-107	3 1/4" x 7"	Stainless Steel
BLP-110	3 1/4" x 10"	Stainless Steel
BLP-207	3 1/4" x 7"	Steel
BLP-210	3 1/4" x 10"	Steel

SHELF PACK: 10 Polybagged
Gauge: 12 (.104)

FEATURES: • Works with up to 3 3/4" rose
• Concealed welded studs with fasteners

FINISHES: (BLP-107, BLP-110) 630
(BLP-207, BLP 210) BP, DU, SL, 622

SLIPPER LATCH PROTECTOR – fits under lock rose



WSLP-104
WSLP-204

NUMBER	DIMENSIONS	MATERIAL
WSLP-104	5" x 4"	Stainless Steel
WSLP-204	5" x 4"	Stainless Steel

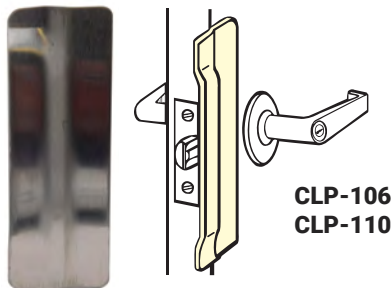
SHELF PACK: 10 Polybagged

Gauge:

- FEATURES:
- Sleek design allows for easy install
 - Mounts under the lock set
 - Works with most grade 1 & 2 levers & knobs
 - Prepped for most commercial locks

FINISHES: (WSLP-104) 630
(WSLP-204) DU, SL, 622

COMMERCIAL TYPE for outswinging doors



CLP-106
CLP-110

NUMBER	DIMENSIONS	MATERIAL
CLP-106	2 1/8" x 6"	Stainless Steel
CLP-110	2 1/8" x 10"	Stainless Steel

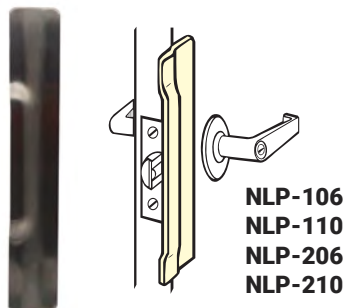
SHELF PACK: 10 Polybagged

Gauge: 12 (.104)

- FEATURES:
- 6" for key-in-knobs
 - 10" for Mortise Locks
 - Architectural design
 - Concealed welded studs with fasteners

FINISH: 630, 622

NARROW COMMERCIAL TYPE for outswinging doors



NLP-106
NLP-110
NLP-206
NLP-210

NUMBER	DIMENSIONS	MATERIAL
NLP-106	1 1/2" x 6"	Stainless Steel
NLP-110	1 1/2" x 10"	Stainless Steel
NLP-206	1 1/2" x 6"	Steel
NLP-210	1 1/2" x 10"	Steel

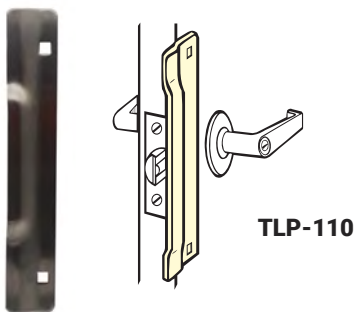
SHELF PACK: 10 Polybagged

Gauge: 12 (.104)

- FEATURES:
- 6" for key-in-knobs • 10" for Mortise Locks
 - Narrow type for outswinging doors
 - Concealed welded studs with fasteners

FINISHES: (NLP-106, NLP-110) 630
(NLP-206, NLP-210) DU
PC, SL, 622

NARROW COMMERCIAL TYPE for outswinging doors



NUMBER	DIMENSIONS	MATERIAL
TLP-110	1 1/2" x 10"	Stainless Steel
TLP-210	1 1/2" x 10"	Steel

SHELF PACK: 10

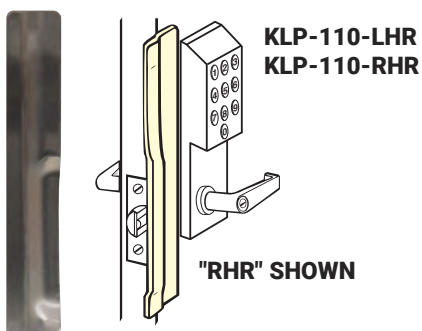
Gauge: 12 (.104)

FEATURES • New Thru-Bolt Fastening Method
 • Works with most Exit Device Trim
 • Works with most Mortise Lock Trims
 • Includes EBF Fasteners to prevent interference with frame

FINISHES: (TLP 110) 630 Stainless Base

(TLP 210) DU, PC, SL, 622

For ELECTRONIC LOCKS



NUMBER	DIMENSIONS	MATERIAL
KLP-110-LHR	1 1/2" x 10"	Stainless Steel
KLP-110-RHR	1 1/2" x 10"	Stainless Steel

SHELF PACK: 10

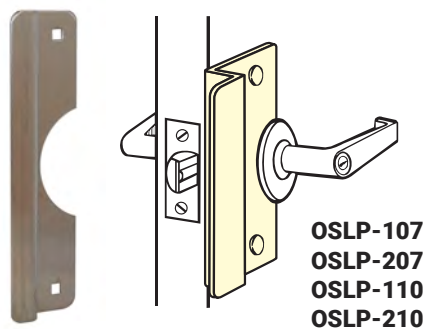
Polybagged

Gauge: 12 (.104)

FEATURES: • Works with most access control locks
 • Concealed welded studs with fastener

FINISH: 630

3/4" OFFSET FOR OUTSWINGING DOORS



NUMBER	DIMENSIONS	MATERIAL
OSLP-107	2 5/8" x 7"	Stainless Steel
OSLP-207	2 5/8" x 7"	Steel
OSLP-110	2 5/8" x 10"	Stainless Steel
OSLP-210	2 5/8" x 10"	Steel

SHELF PACK: 10

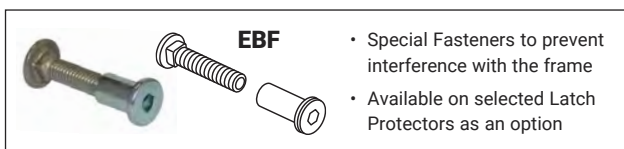
Polybagged

Gauge: 12 (.104)

FEATURES: • May be used on hollow metal door/frame using ANSI strike
 • Polybagged
 • Works with up to 3 3/4" rose
 • 3/4" offset

FINISHES: (OSLP-107, OSLP-110) 630

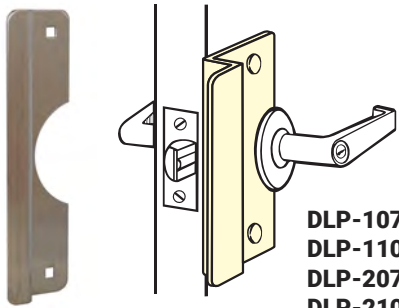
(OSLP-207, OSLP-210) BP, DU, SL, 622



• Special Fasteners to prevent interference with the frame

• Available on selected Latch Protectors as an option

1 1/8" OFFSET LATCH PROTECTOR



DLP-107
DLP-110
DLP-207
DLP-210

NUMBER	DIMENSIONS	MATERIAL
DLP 107		Stainless Steel
DLP 110		Stainless Steel
DLP 207		Steel
DLP 210		Steel

SHELF PACK: 10

Gauge: 12 (.104)

FEATURES: • 1 1/8" Offset

• Available 7" or 10" Height

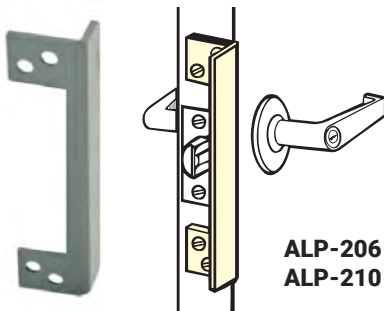
• Works with Lock Roses up to 3 3/4" Diameter

• Now Standard with EBF Fasteners!

FINISHES: (DLP-107, DLP-110) 630

(DLP-207, DLP-210) DU, BP, SL, 622

ANGLE TYPE for outswinging doors



ALP-206
ALP-210

NUMBER	DIMENSIONS	MATERIAL
ALP-206	6"	Steel
ALP-210	10"	Steel

SHELF PACK: 10

Polybagged

Gauge: 10 (.134)

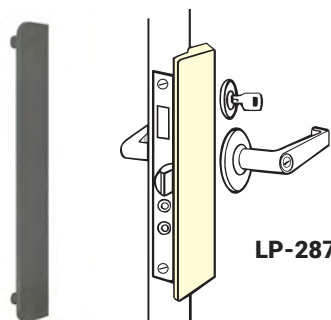
FEATURES: • 6" for key-in-knobs

• 10" for Mortise Locks

• 1 1/2" sheet metal screws for wood or metal

FINISHES: BC, DU, SL, 622

SLIMLINE for outswinging doors



LP-2878

NUMBER	DIMENSIONS	MATERIAL
LP-2878	1 1/2" x 8 7/8"	Steel

SHELF PACK: 10

Polybagged

Gauge: 5/16" thick (.3125)

FEATURES: Sleek appearance

FINISHES: DU, PC, SL, 622

The Industry Leader in Architectural Hardware and Door Security Products

DON-JO MFG., INC.



SLP 106/SLP 206



LP 307



ILP 206/ILP 211



LP 107/LP 207



LP 211

Don't see what you're looking for?

Don-Jo makes architectural, safety and security products
for virtually any application.

Call or email today to help solve your problems.

info@don-jo.com 800-628-8389

Visit www.don-jo.com to explore our entire offering of
Architectural Hardware & Door Safety and Security Products

