

**VON DUPRIN®**

Door control  
and security  
hardware



# Introduction

## Flexible solutions for real-world applications

Pioneering safety is in our DNA. Responding to a need more than a century ago, Von Duprin® invented the first self-releasing fire exit device. We continue to advance the industry through innovation that is fueled by a deep understanding of our customers' needs and safety standards, delivering solutions for even the most challenging applications.

We understand door hardware isn't a one-size-fits-all solution. Many electric strikes and accessories are available to fit varying security needs. Or customize an opening with electrified trim, a delayed egress option or alarm kit.

## Passion driving performance

With superior products comes exceptional customer care. Von Duprin customers are supported by industry-leading expertise. Allegion's representatives average more than 15 years of experience, so you're assured to receive knowledgeable advice on fire and life safety codes, installation resources and more. From instructional videos to instructor-led trainings, Allegion's team of experts are here to support you before, during and after product installation. Von Duprin stands by our customers—today, tomorrow and for years to come.

**VON DUPRIN**  
Administrative Offices  
2720 Tobey Dr.  
Indianapolis, IN 46219

**Customer Service**  
877-671-7011  
800-999-0328 - Fax

**Technical Support**  
877-671-7011

## Table of contents

### Electric strikes

4200 Series electric strikes	4-5
5100 Series electric strikes	6-7
6000 Series electric strikes	8
6100 Series electric strikes	9-11
6200 Series electric strikes	12-16
6300 Series electric strikes	17-18
6400 Series electric strikes	19-21
Electric strike/Lock information	22

### Electrified options

Latch retraction	23
Delayed Egress	24-26
Switches	27
Alarm kit	28
Electrified mortise and electrified trim	29
Power supplies	30
Electrical and pneumatic power transfers	31
Allegion Connect	32
RX330/RX350 Push pad	33
GUARD-X	34
Monitor strikes	35-37
Mullions	38
Lever styles	39

## 4200 Series electric strikes for cylindrical locks

### Overview

The 4200 Series electric strikes are easy to order, configure in the field and install. This makes it a great choice for commercial applications where traffic control is the primary function.

Compatible with a wide range of cylindrical devices, the 4200 series makes electrifying an opening simple. It is designed and tested to work with all Schlage and Falcon cylindrical locks as well as those of many other manufacturers.

With a variety of field configurable options, the 4200 series is able to address a broad range of needs. The power failure mode (fail safe or fail secure) can be changed in the field without disassembling the strike. The 4200 series also features a 12/24 dual-voltage solenoid for field wiring of either input voltage.

Additional factory orderable options provide even greater flexibility. The 4200 series can be ordered with or without latchbolt monitor. Square face plate is offered standard to accommodate hollow metal frames, and rounded corner faceplates are available as an option for aluminum frames. An entry buzzer and rectifier kits are also available options.

The 4200 was developed with Von Duprin's high standards and engineering expertise. Its heavy duty stainless steel construction is designed to withstand abuse.

### Features and benefits

- Field configurable 12/24 voltage utilizing dual-voltage internal solenoid
- Field configurable power failure mode (fail-safe/fail-secure)
- Non-handed, internal solenoid design
- Heavy duty stainless steel faceplate
- Latchbolt monitoring standard on 4212 only
- Optional entry buzzer and rectifier kits available for AC to DC operation
- 1 year electrical product warranty

### Lockset compatibility

The 4200 series is compatible with all Schlage and Falcon cylindrical locks as well as cylindrical and deadlatch locks of many other manufacturers.

- The 4211 is compatible with locksets with  $\frac{5}{8}$ " (15 mm) throw latchbolts, or up to  $\frac{3}{4}$ " (19mm) throw latchbolts with a  $\frac{1}{8}$ " door gap.
- The 4212 is compatible with locksets with  $\frac{1}{2}$ " (12.7mm) throw latchbolts, or up to  $\frac{5}{8}$ " (15 mm) throw latchbolts with a  $\frac{1}{8}$ " door gap.



### 4200 Series power requirements

Model	Voltage	Current	Duty	Amps
4211 or 4212	12V	DC	Continuous	0.20
4211 or 4212	24V	DC	Continuous	0.10

**4212 Latchbolt monitor switch rating:** 30VDC at 0.20 A

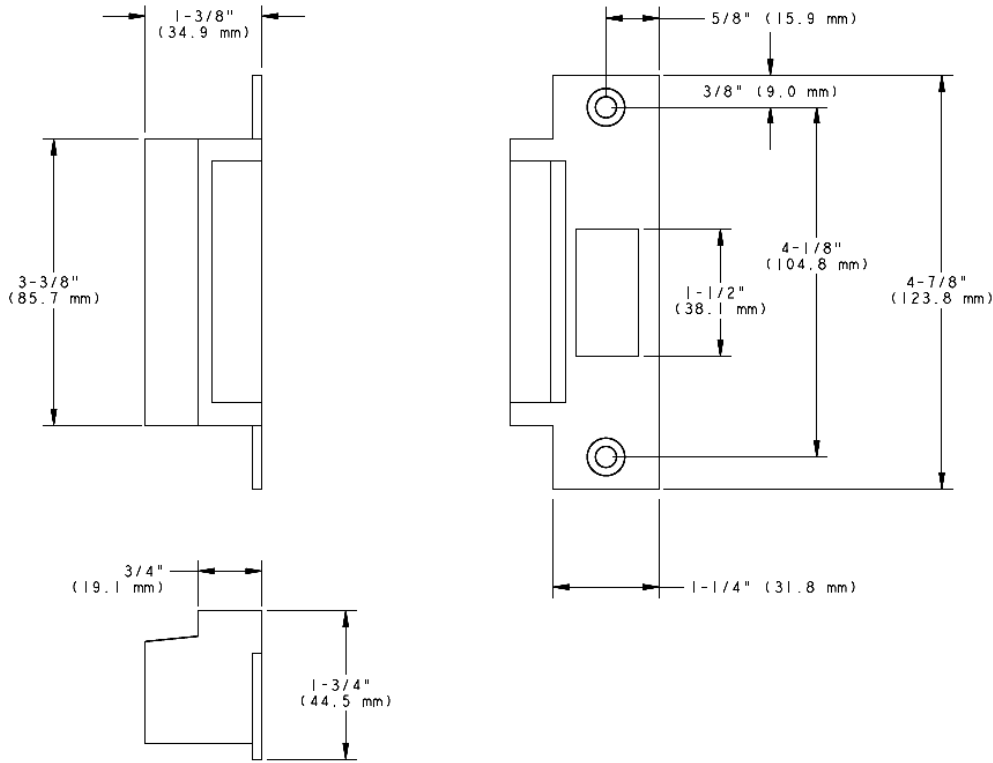
The 4200 series requires a DC regulated power supply, and the Schlage PS900 series power supplies are recommended.

Continuous duty=Energized 1 minute or more

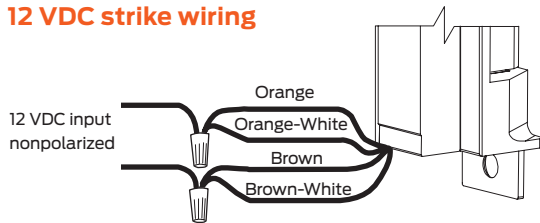
### Model specifications

Model number	4211	4212
Retrofits model	HES 5200, RCI 6 Series	HES 5000, RCI 6 Series
Latchbolt throw	$\frac{3}{4}$ "	$\frac{5}{8}$ "
Latchbolt monitor switch	---	•
Face plate length	$4 \frac{7}{8}$ "	$4 \frac{7}{8}$ "
Backbox depth	$1 \frac{3}{8}$ "	$1 \frac{3}{8}$ "
Finish (faceplate)	BHMA 630/US32D	
Lockset	Cylindrical	•
	Deadlatch	•
	Mortise	---
Number of doors	Single	•
	Pair	---
Frame type	Hollow metal	•
	Aluminum	•
	Wood	---
Options	EB (entry buzzer - fail-secure only)	•
	SO12 & SO24 rectifier kit for AC to DC operation	•

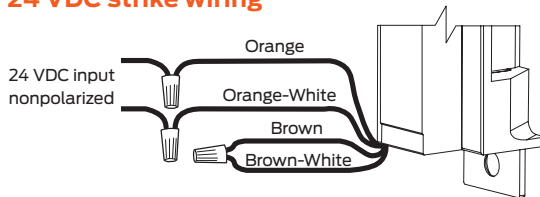
# 4200 Series electric strikes dimensions



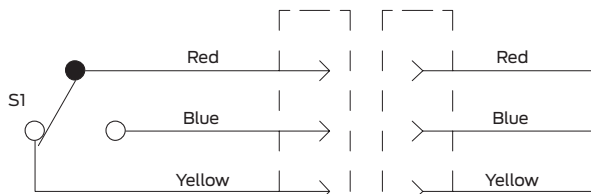
## 12 VDC strike wiring



## 24 VDC strike wiring



## Latchbolt monitoring switch (4212 only)



Switch shown with latch status tripper depressed

## Ordering information

4200 - S024 - EB

Model	Rectifier kit*	Buzzer*
1	2	3

\* Optional

## Selections correspond with the numbers above

1	Model
4211	See model specification chart to make the proper selection
4212	See model specification chart to make the proper selection
2	Rectifier kit (optional)
S012	Converts 12 VAC voltage to 12 VDC to operate the solenoid
S024	Converts 24 VAC voltage to 24 VDC to operate the solenoid
3	Buzzer (optional)
EB	Entry Buzzer, with fail-secure (FSE) configured

## Standard features

- Power failure mode: Field configurable fail-secure/ fail-safe
- Voltage: Field configurable 12 VDC/24 VDC dual voltage solenoid
- Finish: 630 satin stainless steel

## 5100 Series electric strikes for cylindrical locksets

### Overview

The Von Duprin 5100 electric strike has been designed to offer flexibility and convenience for locksmiths and security professionals. This easy-to-install electric strike was created for medium-duty applications, specifically to control traffic flow through interior and exterior openings in retail and commercial environments.

The 5100 electric strike is compatible with a wide range of cylindrical devices and is extremely versatile for field conversions. The combination of three faceplate options plus field selectable voltage and power fail modes allows it to be changed on the job site to create as many as 12 different configurations. An adjustable keeper also improves fit for applications with weather stripping or tight door preps. In short, the 5100 provides added convenience by ensuring the right parts are in the box to get the job done.

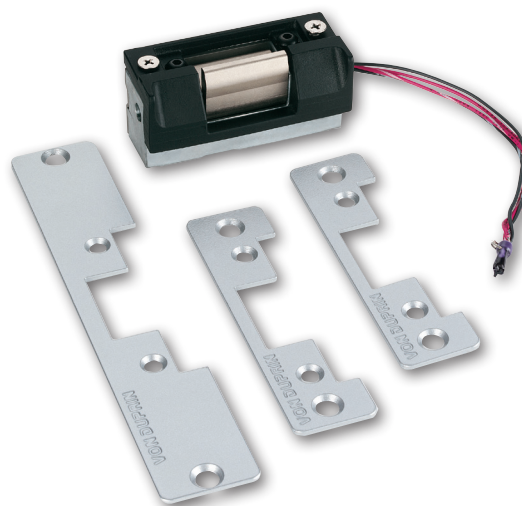
The 5100 was developed with Von Duprin's high standards and engineering expertise. Its heavy-duty construction and tamper-resistant design is able to withstand abuse. The 5100 is tested to over one million cycles and provides 1300 lbs holding strength.

### Features and benefits

- Designed for cylindrical applications
- Capable of 12 in-field configurations
- Three faceplates standard in every box
- Field selectable 12/24 voltage
- Non-handed. Internal solenoid design
- Field selectable power failure mode (fail-safe/fail-secure)
- Adjustable keeper
- Rectifier kits
- Available in three finishes
- Suitable for interior and exterior doors
- UL 1034 listed for burglary-resistant electric door strikes
- Static strength 1300 lbs
- Dynamic strength 70 ft-lbs
- Endurance 1,000,000 cycles

### Lockset compatibility

Keeper depth of  $\frac{1}{2}$ " is sufficient to accommodate all cylindrical locks up to  $\frac{5}{8}$ " throw and most aluminum narrow stile deadlatches.



### 5100 Series power requirements

#### Power options

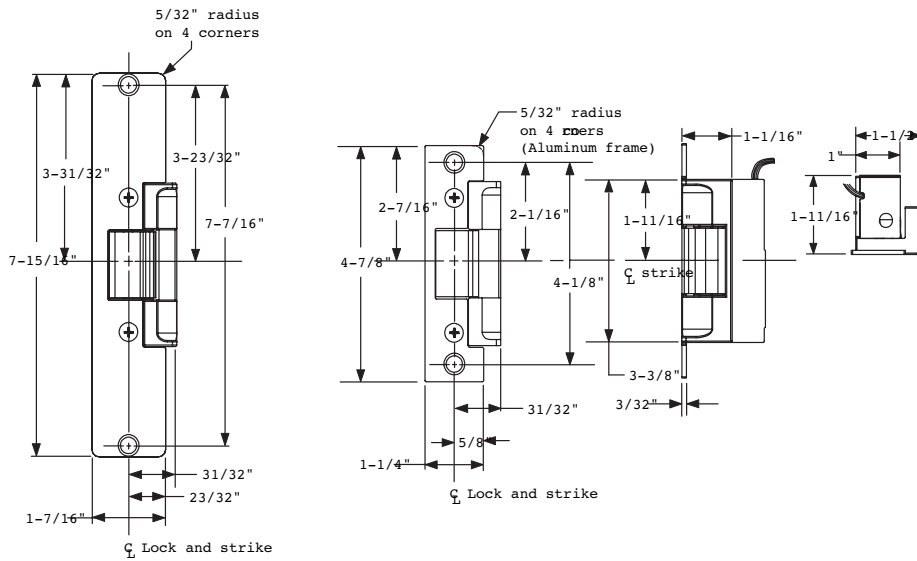
DC: Regulated power supplies (recommended)	PS902 power supply	
AD/DC: Conversion	Von Duprin SO-24 kit	
	12VDC	24VDC
Resistance (ohms)	32	128
Current (amps)	0.38	0.19

All specs  $\pm 10\%$  @ 77°F/25°C

### Model specifications

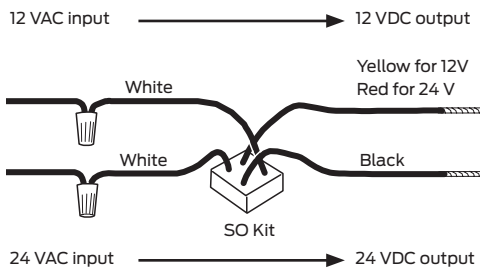
Model #	5100
Latchbolt throw	$\frac{1}{2}$ " to $\frac{5}{8}$ " ( $\frac{1}{2}$ " keeper depth)
Face plate length	$4 \frac{7}{8}$ " or $7 \frac{15}{16}$ "
Depth	$1 \frac{1}{16}$ "
Lockset	Cylindrical and deadlatch
Door/frame type	Hollow metal, aluminum and wood
Number of doors	Single
Certifications	UL 1034 burglary listing
Application notes	Versatile electric strike for aftermarket, covering multiple applications in one SKU.

# 5100 Series electric strikes dimensions

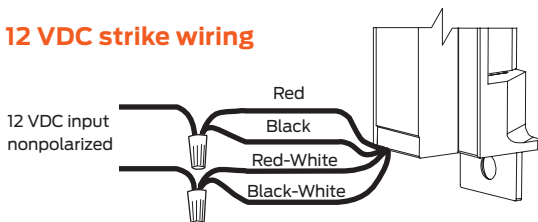


Solenoid power requirements; 12VDC, 0.38 A, 24 VDC, 0.19 A

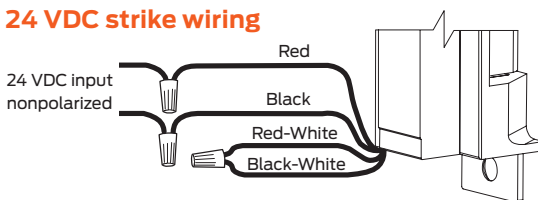
For DC operation, Von Duprin PS902 series power supply is recommended.  
For AC operation, Von Duprin SO12 (12VAC) or SO24 (24VAC) kit is recommended.



## 12 VDC strike wiring



## 24 VDC strike wiring



## Ordering information

5100 - US219 - S024

Model	Finish	Rectifier kit*
1	2	3

\* Optional

Selections correspond with the numbers above

1	Model
5100	Electric strike for cylindrical locksets
2	Finish
	US SP28/BHMA 698 Aluminum
	US I9/BHMA 622 Flat black
	US SP313/BHMA 695 Dark brown
3	Rectifier kit (optional)
SO12	Converts 12 VAC voltage to 12 VDC to operate the solenoid
SO24	Converts 24 VAC voltage to 24 VDC to operate the solenoid

## Standard features

- 24 volts DC
- Fail-secure
- Field convertible to fail-safe

# 6000 Series electric strikes

## Overview

### Von Duprin 6000 Series electric strikes

Von Duprin is the leading manufacturer of premium, heavy-duty electric strikes known for their reliability, durability and security.

Electric Strikes provide remote release of a locked door. They allow the door to be opened without retracting the latchbolt. This occurs by the releasing of the electric strike lip (sometimes called keeper or gate). When the door closes the beveled latchbolt rides over the lip and falls into the electric strike pocket.

### Von Duprin 6100 Series electric strikes

Electric strikes for use with rim exit devices

### Von Duprin 6200 Series electric strikes

Electric strikes for use with mortise/cylindrical locks

## Versatility

- Furnished 24VDC and 28VDC standard with 12VDC and AC operation optional. 16VDC solenoids available.
- Furnished fail secure (FSE) standard, with fail safe (FS) optional.
- Strike box is adjustable to compensate for misalignment of the door or frame.
- Two piece plug connectors are furnished for ease of installation and for removal during strike servicing.

## Durability

Developed with Von Duprin's high standards and engineering expertise.

- Heavy-duty stainless steel construction.

## Features and benefits

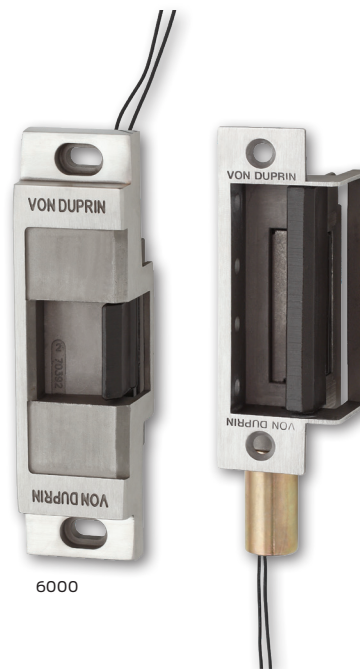
- Stainless steel construction
- Accepts 3/4" (19mm) throw latchbolt
- Six finishes
- Non-handed
- Fail secure
- Plug connectors

Specifications	12V	24V
Resistance in Ohms ± 10% @ 70°F	21	82
Watt-seated @ 70°F	7.5	8
Amps-seated @ 70°F	.6	.33
Amps-inrush @ 70°F	.6	.33

## To order, specify

1. **Model number**
2. **FS** (fail safe, when required)
3. **DS** or **DS-LC** (dual switch, when required)
4. **Voltage** 12VDC or 24VDC  
For 16V solenoids order separately
5. **SO12** or **SO24** (required when using AC)
6. **Finish:** US3, US4, US10, US10B, US32, US32D
7. **EB** (Entry buzzer), **FSE** only (when required)

**Note:** Information listed is for use on new applications. On retrofit applications, modification of the frame preparation may be required, consult factory.



## Options

### AC operation

SO12 and SO24 are rectifier kits to convert AC voltage to operate the DC solenoids. These kits are field installable and plug in-line to solenoid.

### Dual switch monitoring (DS and DS-LC)\* (Factory installed only)

Dual switch monitoring option has two SPDT contacts, one switch monitors the tripper which is depressed when the latchbolt is inserted into the strike pocket. The second switch monitors the condition of the strike lip, open or closed and locked.

DS is standard, rated 24V, operating range from 2 ampere to 50 milliampere.

DS-LC low current gold contact switches for use on applications associated with computer control and monitoring, rated 24V, operating range 50 milliampere or below.

### Fail secure — (FSE)

FSE — FAIL-SECURE electric strikes require power to be applied to unlock the strike lip. On loss of power, the strike is locked. Field convertible with parts.

### Fail safe — (FS)

FS — FAIL-SAFE electric strikes require power to be applied to lock the strike lip. On loss of power, the strike is unlocked. Building codes prohibit the use of fail-safe strikes on fire-rated openings. Field convertible with parts.

### Entry buzzer — (EB)

EB — Entry buzzer is available for use with fail-secure strikes. Installed in the frame and in parallel with the circuit, the buzzer will sound when the strike is unlocked.

### UL listed

UL Listed Burglary-Resistant and Electric Strike for fire doors and frames. A label for single doors and B label for double doors.

\* Dual Monitor Switches (DS or DS-LC) are not available on open back strikes.



# 6100 Series strikes for rim exit devices

## Overview

Von Duprin electric strikes are known for their reliability, durability and security. The 6100 Series is designed to withstand abuse. Its heavy-duty stainless steel construction is fully UL1034 and UL10C listed.

6100 Series electric strikes are designed for use with a variety of rim exit devices. They interface with the latch mechanism of the exit device. The movable lip (keeper) allows a door to open even when the latch bolt is extended. This feature, called remote release, provides added benefits such as increased convenience and efficiency. The 6100 Series also provides added security and traffic control.

6100 Series electric strikes can be used for retrofit applications or new construction. To assure the proper selection of an electric strike on new applications, lockset compatibility charts are shown below. When using a lockset not listed or when retrofitting a strike to an existing application, please contact Von Duprin technical support for application assistance.

The power failure mode of the 6100 can be specified at the time of order. Fail-secure is available for fire rated openings. In a fail-secure application, the door is normally locked. To unlock the door, power must be applied. Fail-safe strikes, which are commonly used for life safety applications, are non-fire-rated. To unlock a fail-safe strike, power is removed. The 6100 comes standard 24 VDC; 12 VDC and AC operation are optional.

## Features and benefits

- Non-handed design provides greater flexibility
- Strike box is adjustable to compensate for misalignment of the door or frame
- Two-piece plug connectors are furnished for ease of installation and for removal during strike servicing
- UL1034 burglary-resistant and UL10C electric strike for fire door
- Six finishes available to suite with existing hardware
- Durable stainless steel construction
- 24 VDC standard with 12 VDC and AC operation optional



## Model specifications

Model number	6111	6112	6113	6114	6121
Retrofits model	VD 3031	FA 310-4	VD 3011, VD 3021	FA 310-5	FA 310-4-100
Latchbolt throw	3/4"	3/4"	3/4"	3/4"	3/4"
Face plate length	6"	9"	6"	7 1/2"	9 1/8"
Backbox depth	1 3/4"	1 3/4"	1 5/16"	N/A	N/A
Lockset	Rim exit device	Rim exit device	Rim exit device	Rim night latch*	Rim exit device
Number of doors	Single	▪	▪	▪	—
	Double door with mullion	▪	—	—	—
	Double door without mullion	—	—	—	▪
Door/frame type	Hollow metal	▪	▪	▪	▪
	Aluminum	▪	▪	▪	▪
	Wood	▪	▪	▪	▪
Options	Blade stop shim	Yes	No	Yes	No
	DS or DS-LC (dual monitor switches)	Yes	Yes	Yes	Yes
	EB (entry buzzer - fail-secure only)	Yes	Yes	Yes	Yes
Certifications	UL1034, UL10C	UL1034, UL10C	UL1034, UL10C	UL1034	UL1034
Application notes	1	2	3	4	5

**Note:** 16 VDC and 28 VDC solenoid are sold as replacement parts for existing strikes. Please contact customer care for details.

\*Not an exit device.

### Model specification notes:

1. 1/2" projection blade stop shim 010055-XX available for use on cased opening or blade stop frames. Specify when using with 55 rim devices. May also be used with vertical rod exit devices noted on previous page x Pullman latch LBR. Non-fired-rated.
2. When used to replace Folger Adam 310-4, minor frame prep modification required.
3. 1/2" projection blade stop shim 010055-XX available for use on cased opening or blade stop frames. Specify when using with 55 rim devices. Non-fire rated.
4. Surface applied strike designed to replace Folger Adam 310-5 with different mounting hole locations from Folger Adam.
5. Designed to mount on inactive leaf.

## Exit device compatibility

### 6111, 6112, 6113 and 6121 Strikes

Manufacturer	Device
Von Duprin	22, 33A, 35A, 55 <sup>1</sup> , 88, 98, 99 8827 LBR <sup>4</sup> x Pullman latch Non-Fire rated 9827 LBR <sup>4</sup> x Pullman latch Non-Fire rated 9927 LBR <sup>4,2</sup> x Pullman latch Non-Fire rated
Falcon Monarch <sup>2</sup>	XX-R, 18-R, 19-R, 24-R, 25-R
Falcon Doromatic	1790
Precision <sup>2</sup>	2100
Sargent	2800, 6500, 6800, 8500, 8800, 9500, 9800 <sup>3</sup> , 9898
Yale	1500, 700

### Exit device compatibility notes:

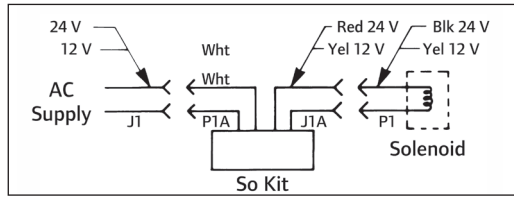
1. Strike must be factory modified, specify when using with a 55 Rim device
2. Deadlocking feature will not properly function, consult factory
3. Panic only, not fire-rated
4. 6111 is recommended for LBR applications
5. Example order: ES9827 LBR Pullman Non Fire Rated

**Note:** When using a lockset not listed or when retrofitting an existing application, please contact Von Duprin technical support for application assistance

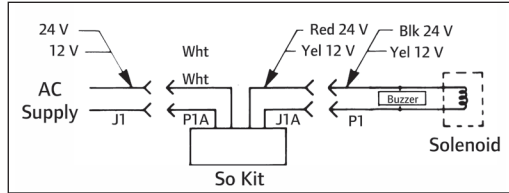
# 6100 Series strikes dimensions

## Wiring

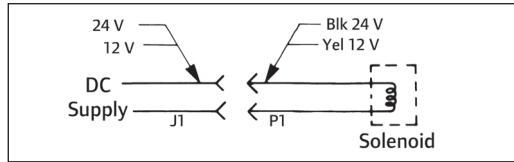
### AC



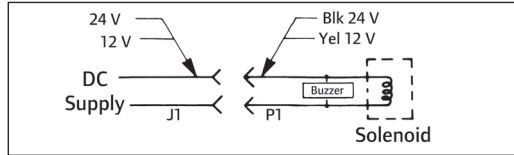
### AC with buzzer



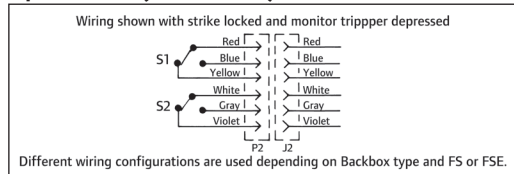
### DC



### DC with buzzer



### Optional DS (FSE shown)



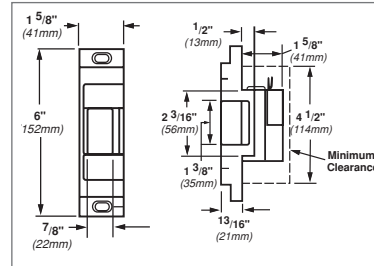
## 6100 Series power requirements

Models	Voltage	Current	Duty	Amps	Ohms
All	12V	DC	Continuous	0.60	21
All	24V	DC	Continuous	0.33	83

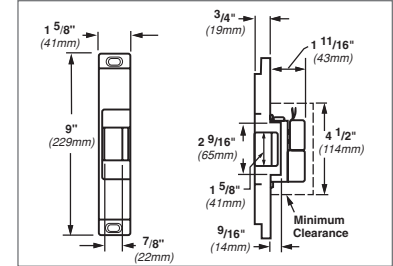
Continuous duty = Energized 1 minute or more

## Dimensions

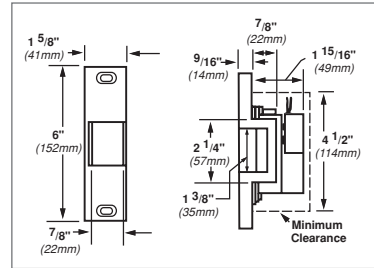
### 6111



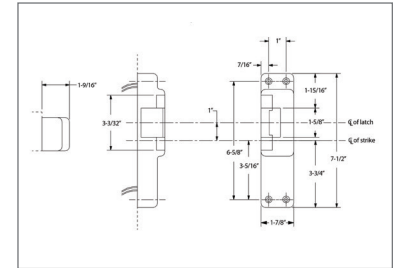
### 6112



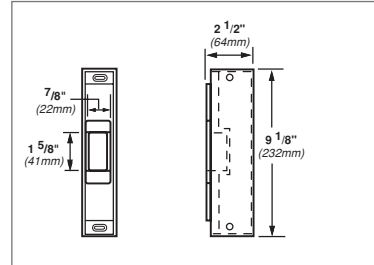
### 6113



### 6114



### 6121



# 6100 Series how to order

## Ordering information

6112 - FSE - DS - 24 - S024 - US3 - EB - CON

Model	Power failure mode	Dual switch*	Voltage	Rectifier kit*	Finish	Buzzer*	Allegion Connect*
1	2	3	4	5	6	7	8

\* Optional

### Selections correspond with the numbers above

1	Model
6111	See chart on page 3 to make the proper selection
6112	See chart on page 3 to make the proper selection
6113	See chart on page 3 to make the proper selection
6114	See chart on page 3 to make the proper selection
6121	See chart on page 3 to make the proper selection
2	Power failure mode
FSE	Fail-secure. Requires power to be applied to unlock the strike lip. On loss of power, the strike lip is locked. <b>Fire-rated.</b>
FS	Fail-safe. Requires power to be applied to lock the strike lip. On loss of power, the strike lip is unlocked. <b>Non-fire-rated.</b>

3	Dual switch (optional)
DS	Monitors latch bolt and lock status. DS switches rated at 24 VDC 50 milliampere - 2 amps.
DS-LC	Optional for computer monitoring. Monitors latch bolt & lock status. DS switches rated 24 VDC 50 milliampere or less.
4	Voltage (VDC)
24	Low voltage DC power
12	Low voltage DC power
If AC power is required specify rectifier kit below.	
5	Rectifier kit (optional)
S012	Converts 12 VAC voltage to 12 VDC to operate the solenoid
S024	Converts 24 VAC voltage to 24 VDC to operate the solenoid

6	Finish
	US number/Von Duprin number
US3	Plated polished brass on stainless steel
US4	Plated dull brass on stainless steel
US10	Plated dull bronze on stainless steel
US10B	Plated dark bronze on stainless steel
US32	Stainless steel, polished
US32D	Stainless steel, satin
7	Buzzer (optional)
EB	Entry Buzzer. Only available if Fail-Secure (FSE) is specified.
8	Allegion Connect
CON	Allegion Connect connector 6 in. wire extension harness available

## 6200 Series strikes for mortise or cylindrical devices

### Overview

Von Duprin electric strikes are known for their reliability, durability and security. The 6200 Series is designed to withstand abuse. Its heavy-duty stainless steel construction is fully UL1034 and UL10C listed.

6200 Series electric strikes are designed for use with a variety of mortise or cylindrical locksets. It interfaces with the latch mechanism of the exit device. The 6200 Series movable lip (keeper) allows a door to open, even when the latch bolt is extended. This feature, called remote release provides added benefits such as increased convenience and efficiency. The 6200 Series also provides added security and traffic control.

6200 Series electric strikes can be used for retrofit applications or new construction. To assure the proper selection of an electric strike on new applications, lockset compatibility charts are shown below. When using a lockset not listed or when retrofitting a strike to an existing application, please contact Von Duprin Technical Support for application assistance.

### Features and benefits

- Non handed design provides greater flexibility
- Strike box is adjustable to compensate for misalignment of the door or frame
- Two piece plug connectors are furnished for ease of installation and for removal during strike servicing
- UL1034 Burglary-Resistant and UL10C Electric Strike for Fire Door
- Six finishes available to suite with existing hardware
- Durable stainless steel construction
- 24 VDC standard with 12 VDC and AC operation optional



### 6200 Series power requirements

Models	Voltage	Current	Duty	Amps	Ohms
All	12V	DC	Continuous	0.60	21
All	16V	DC	Continuous	0.40	38
All	24V	DC	Continuous	0.33	83
All	28V	DC	Continuous	0.25	111

Continuous duty = Energized 1 minute or more

### Cylindrical lockset compatibility<sup>1,2,3</sup>

6211, 6211AL, 6211WF, 6212, 6213, 6214, 6215, 6221, 6222, 6223, 6224, 6224AL, 6225 and 6226 Strikes

Manufacturer	Cylindrical latchbolt projection
Baldwin	1/2" - 3/4" (13mm - 19mm)
Best	3/8" - 3/4" (10mm - 19mm)
Corbin	1/2" - 3/4" (13mm - 19mm)
Falcon	1/2" - 3/4" (13mm - 19mm)
Russwin	1/2" - 3/4" (13mm - 19mm)
Sargent	1/2" - 3/4" (13mm - 19mm)
Schlage	3/8" - 3/4" (10mm - 19mm)
Yale	1/2" - 3/4" (13mm - 19mm)

### Mortise lockset compatibility<sup>1,2,3</sup>

6211, 6211AL, 6211WF, 6212, 6213, 6214, 6215, 6221, 6222, 6223, 6224, 6224AL, 6225 and 6226 Strikes

Manufacturer	Model number
Von Duprin	7500
Adams Rite	4510, 4710
Baldwin	6000
Best	24H, 30H
Corbin	9000
Falcon	M2300, M2500, M2600, M3300, M3500, M3600
Precision	Mortise
Russwin	Mortise
Sargent	7700, 8100, 9000
Schlage	L9000, K30, K40, K50, K60
Yale	7030, 7130, 8600, 8700

### Mortise lockset compatibility<sup>1,3</sup>

6210

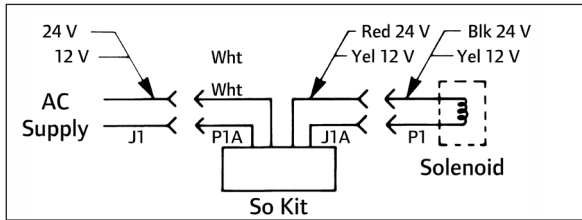
Manufacturer	Model number
Von Duprin	7500
Best	30H (not 45H/47H)
Corbin/Russwin	ML2200, 5000, 9000, CR2200 (not 2000)
Falcon	M100, M200, M300, M400, M500, M600
Sargent	7700, 8100 (not 7800/8200)
Schlage	L9000
Yale	8700 (not 8800)

1. Von Duprin cannot guarantee compatibility as other manufacturer's designs may change without notice.
2. Signalling may not function when using 3/8" (10mm) throw bolt. Deadlocking cannot be guaranteed with all locks.
3. When using a lockset not listed or when retrofitting a strike to an existing application, please contact Von Duprin Technical Support for assistance.

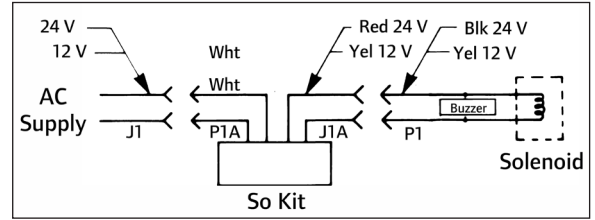
# 6200 Series strikes for mortise or cylindrical devices

## Wiring

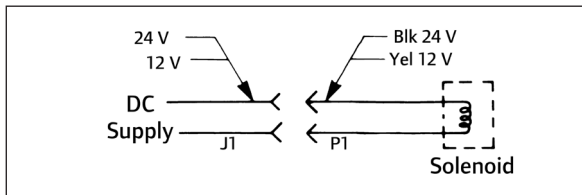
### AC



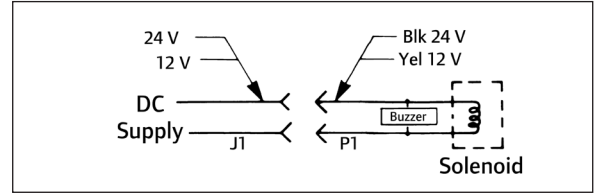
### AC with buzzer



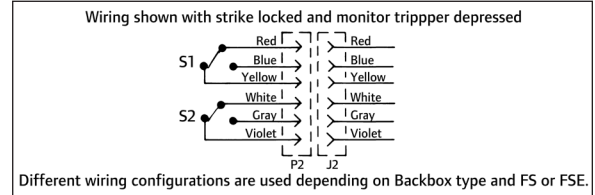
### DC



### DC with buzzer



### Optional DS (FSE shown)



## Model Specifications



Model number	6210	6211	6211AL	6211WF	6212
Retrofits model	n/a	VD 3140, FA 712	FA 722	FA 732	VD 3146
Latchbolt throw	3/4"	3/4"	3/4"	3/4"	3/4"
Face plate length	4 7/8"	4 7/8"	4 7/8"	4 7/8"	6 3/8"
Backbox depth	1 3/4"	1 11/16"	1 11/16"	4 1/2"	1 21/32"
Lockset	Mortise without deadbolt	•	•	•	•
	Mortise with deadbolt 1" throw	---	---	---	---
	Cylindrical	---	•	•	•
Number of doors	Single	•	•	•	•
	Pair	---	---	---	---
Door and frame type	Hollow metal	•	•	---	•
	Aluminum	•	•	---	•
	Wood	---	---	---	•
Options	DS or DS-LC (dual monitor switches)	•	•	•	•
	EB (Entry buzzer - fail secure only)	•	•	•	•
Certifications	UL1034	•	•	•	•
	UL10C	3 hour	3 hour	3 hour	3 hour
Application notes	1	2	---	2, 4	3

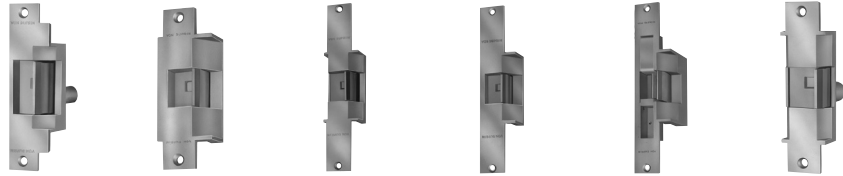
Note: 16 VDC and 28 VDC solenoid are sold as replacement parts for existing strikes. Please contact customer care for details..

### Application notes:

- For use with ANSI prep at standard height. Strike pocket inserts are provided to accommodate different manufacturers deadlocking trigger locations.
- For use on new installations with mortise locks without deadbolt or cylindrical locks on single door, hollow metal frame applications. Designed to replace Von Duprin 3140 or Folger Adam 712.
- Fits modified ANSI 115.2 cutout. Designed to replace Von Duprin 3146.
- Wood frame horizontal solenoid location differs from Folger Adam. May require frame preop modification when retrofitting.

# 6200 Series strikes for mortise or cylindrical devices

## Model Specifications



Model #	6212WF	6213	6214	6215	6216	6221
Retrofits model	n/a	VD 3041, 3042, 3061, 3062	FA 310-2 3/4	FA 310-2	FA 310-3-1	VD 3071 / 3072
Latchbolt throw	3/4"	3/4"	3/4"	3/4"	3/4"	3/4"
Face plate length	6 3/8"	6"	9"	9"	9"	6"
Backbox depth	4 1/2"	2 1/2"	2"	1 5/8"	2 7/8"	4 3/4"
Lockset	Mortise without deadbolt	*	*	*	---	*
	Mortise with deadbolt 1" throw	---	---	---	*	---
	Cylindrical	*	*	*	---	*
Number of doors	Single	*	*	*	*	---
	Pair	---	---	---	---	*
Door and frame type	Hollow metal	---	*	*	*	*
	Aluminum	---	*	*	*	*
	Wood	*	See note 1 below			*
Options	DS or DS-LC (dual monitor switches)	*	*	*	*	---
	EB (Entry buzzer - fail secure only)	*	*	*	*	*
	28 VDC AC rectifier kit	*	*	*	*	*
	16 VDC solenoid	*	*	*	*	*
Certifications	UL1034	*	*	*	*	*
	UL10C	3 hour	3 hour	3 hour	3 hour	3 hour*
Application notes	---	1	1	1	2	3

\* When pair door has inactive leaf.



Model #	6222	6223	6224	6224AL	6225	6226
Retrofits model	FA 310-2 3/4 OB	VD 3091 / 3092	FA 310-2 3/4	FA 310-2RF	FA 310-2 OB	FA 310-2
Latchbolt throw	3/4"	3/4"	3/4"	3/4"	3/4"	3/4"
Face plate length	9"	6"	9"	9"	9"	9"
Backbox depth	2"	4 1/2"	2"	1 5/8"	1 5/8"	1 5/8"
Lockset	Mortise without deadbolt	*	*	*	*	*
	Mortise with deadbolt 1" throw	---	---	---	---	---
	Cylindrical	*	*	*	*	*
Number of doors	Single	---	---	---	---	---
	Pair	*	*	*	*	*
Door and frame type	Hollow metal	*	*	---	*	*
	Aluminum	*	*	*	*	*
	Wood	---	*	---	---	---
Options	DS or DS-LC (dual monitor switches)	---	*	*	---	*
	EB (Entry buzzer - fail secure only)	*	*	*	*	*
	28 VDC AC rectifier kit	*	*	*	*	*
	16 VDC solenoid	*	*	*	*	*
Certifications	UL1034	*	*	*	*	*
	UL10C	3 hour*	3 hour*	3 hour*	3 hour*	3 hour*
Application notes	4	5	6	7	8	9

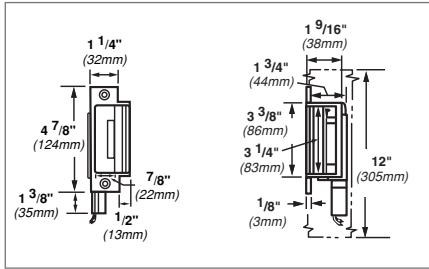
\* When pair door has inactive leaf.

- Includes wood frame for retrofit applications.
- Deadbolt must be manually operated.
- Open back electric strike for use on 1 3/4" (44 mm) thick double door applications. 4 3/4" (120 mm) minimum stile required. For a concealed vertical rod and mortise device combination, specify "A" backbox.
- Open back electric strike for use on 1 3/4" (44 mm) thick double door applications.
- Closed back electric strike for use on 1 3/4" (44 mm) thick double door applications. 4 3/4" (120 mm) minimum stile required. For a concealed vertical rod and mortise device combination specify "A" backbox.
- Closed back electric strike for use on 1 3/4" (44 mm) or 2 1/4" (57 mm) thick double door applications.
- Closed back electric strike for use on 1 3/4" (44 mm) or 2 1/4" (57 mm) thick aluminum double door applications.
- Open back electric strike for use on 1 3/4" (44 mm) thick double door applications.
- Closed back electric strike for use on 1 3/4" (44 mm) or 2 1/4" (57 mm) thick double door applications.

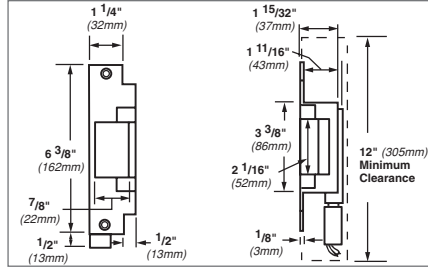
# 6200 Series strikes dimensions

## Dimensions

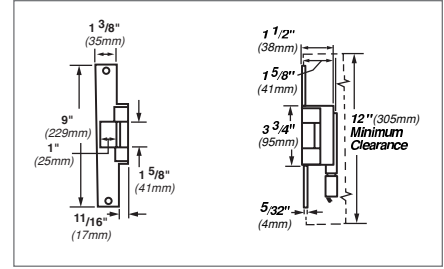
6210



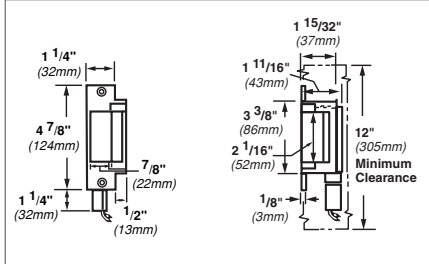
6212



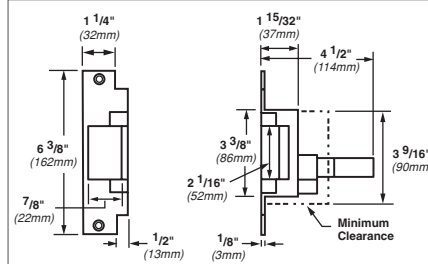
6215



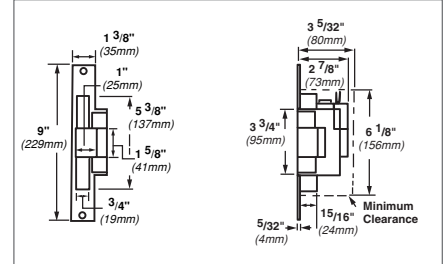
6211



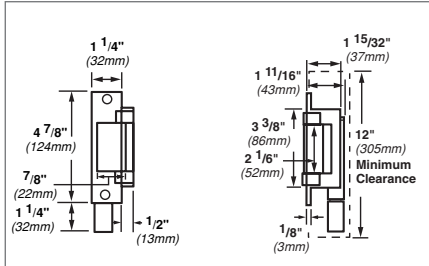
6212WF



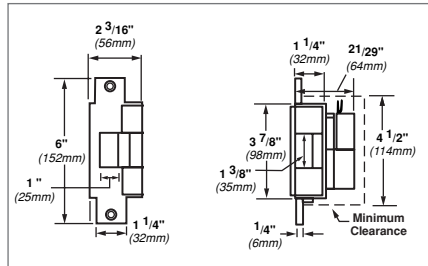
6216



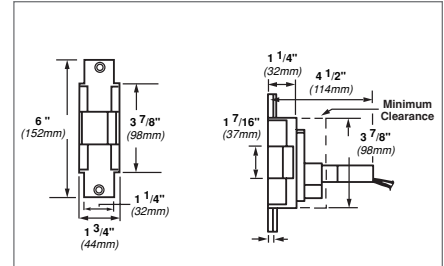
6211AL



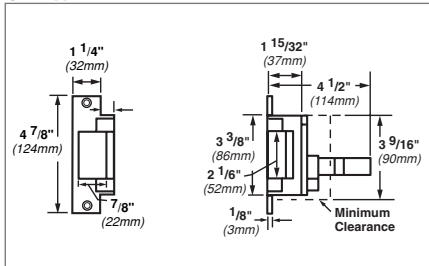
6213



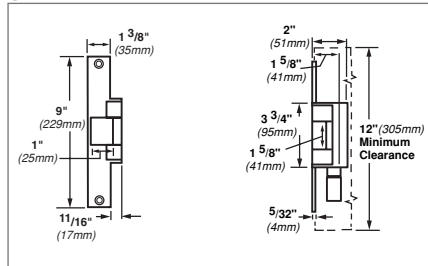
6221



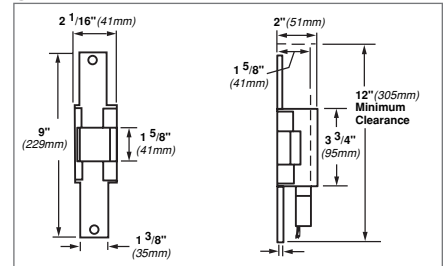
6211WF



6214



6222

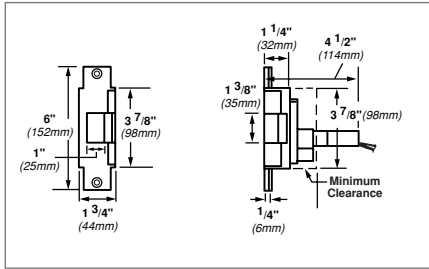


6200 Series strikes dimensions

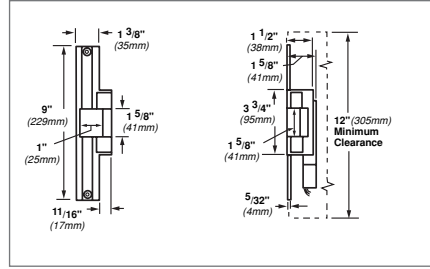
# 6200 Series strikes dimensions

## Dimensions

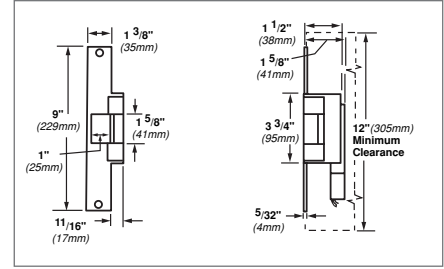
6223



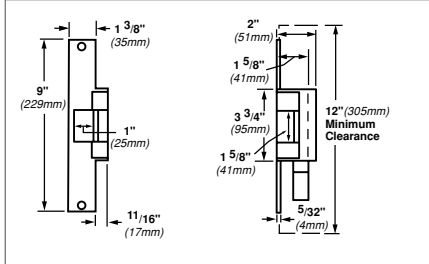
6224AL



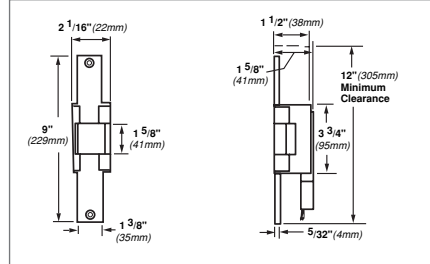
6126



6224



6225



## Ordering information

6210 - FSE - DS - 24 - S024 - US3 - EB - CON

Model	Power failure mode	Dual switch*	Voltage	Rectifier kit*	Finish	Buzzer*	Allegion Connect*
1	2	3	4	5	6	7	8

\* Optional

## Selections correspond with the numbers above

1	Model	2	Power failure mode	6	Finish US number/Von Duprin number
6210	See chart on page 13 to make the proper selection	FSE	Fail-secure. Requires power to be applied to unlock the strike lip. On loss of power, the strike lip is locked. <b>Fire-rated.</b>	US3	Plated polished brass on stainless steel
6211	See chart on page 13 to make the proper selection	FS	Fail-safe. Requires power to be applied to lock the strike lip. On loss of power, the strike lip is unlocked. <b>Non-fire-rated.</b>	US4	Plated dull brass on stainless steel
6211AL	See chart on page 13 to make the proper selection	3	Dual switch (optional)	US10	Plated dull bronze on stainless steel
6211WF	See chart on page 13 to make the proper selection	DS	Monitors latch bolt and lock status. DS switches rated at 24 VDC 50 milliamperes - 2 amps.	US10B	Plated dark bronze on stainless steel
6212	See chart on page 13 to make the proper selection	DS-LC	Optional for computer monitoring. Monitors latch bolt & lock status. DS-LS switches rated 24 VDC 50 milliamperes or less.	US32	Stainless steel, polished
6212WF	See chart on page 14 to make the proper selection	4	Voltage (VDC)	US32D	Stainless steel, satin
6213	See chart on page 14 to make the proper selection	24	Low voltage DC power	7	Buzzer (optional)
6214	See chart on page 14 to make the proper selection	12	Low voltage DC power	EB	Entry Buzzer. Only available if Fail-Secure (FSE) is specified.
6215	See chart on page 14 to make the proper selection	If AC power is required, specify rectifier kit below.		8	Allegion Connect
6216	See chart on page 14 to make the proper selection	5	Rectifier kit (optional)	CON	Allegion Connect connector 6 in. wire extension harness available
6221	See chart on page 14 to make the proper selection	SO12	Converts 12 VAC voltage to 12 VDC to operate the solenoid		
6222	See chart on page 14 to make the proper selection	S024	Converts 24 VAC voltage to 24 VDC to operate the solenoid		
6223	See chart on page 14 to make the proper selection				
6224	See chart on page 14 to make the proper selection				
6224AL	See chart on page 14 to make the proper selection				
6225	See chart on page 14 to make the proper selection				
6226	See chart on page 14 to make the proper selection				



# 6300 Series surface mounted strike for rim exit devices

## Overview

Von Duprin electric strikes are known for their reliability, durability and security. The 6300 Series is designed to withstand abuse. Its heavy-duty stainless steel construction is fully UL1034 and UL10C Listed.

6300 Series electric strikes are designed for use with a variety of rim devices. It interfaces with the latch mechanism of the exit device. The movable lip (keeper) allows a door to open even when the latch bolt is extended. This feature, called remote release, provides added benefits such as increased convenience and efficiency. The 6300 Series also provides added security and traffic control.

6300 Series electric strikes are ideal for aftermarket applications. It is easy to install without modifying or altering the door frame. To assure the proper selection of an electric strike on new applications, lockset compatibility charts are shown on the next page. When using a lockset not listed or when retrofitting a strike to an existing application, please contact Von Duprin technical support for application assistance.

The 6300 is fail-secure (FSE) only to achieve compliance with UL10C for fire-rated openings. In a fail-secure application, the door is normally locked. To unlock the door, power must be applied. The 6300 strike can be used with either 12VDC or 24VDC. There are 2 connectors that ship with it and the appropriate connector for either 12VDC or 24VDC will be used, based upon the available voltage at the opening.

## Features and benefits

- Non-handed design provides greater flexibility
- Requires no alteration or cutting to existing frame
- UL1034 burglary-resistant and
- UL10C electric strike for fire door
- Stainless steel (satin) finish
- Durable stainless steel construction
- Field selectable voltage 12VDC or 24VDC
- Dynamic strength 70 ft-lbs
- Endurance 2,000,000 cycles

## 6300 Series power requirements

Model	Voltage	Current	Duty	Amps	Ohms
6300	12V	DC	Continuous	0.50	22
6300	24V	DC	Continuous	0.24	89



## Rim exit device compatibility 6300 strikes

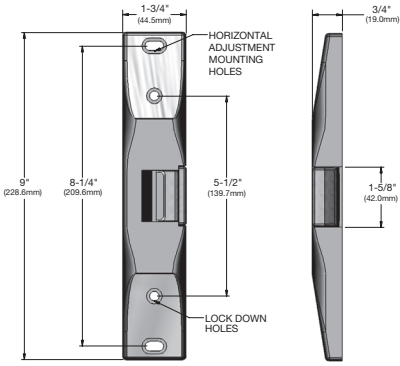
Manufacturer	Model Number
Von Duprin	VD 22/22-F Rim
Von Duprin	VD 33A/35A Rim*
Von Duprin	VD 55 Rim
Von Duprin	VD 88 Rim
Von Duprin	VD 98/99 and 98/99-F Rim
Falcon	Falcon 24/24-F Rim*
Falcon	Falcon 25/25-F Rim
Falcon	Falcon 19/19-F Rim
Falcon Doromatic	Falcon Doromatic 1590*
Falcon Doromatic	Falcon Doromatic 1790*
Falcon Doromatic	Falcon Doromatic 2090*

\* Stile and frame condition may affect compatibility.

## Model specifications

Model number	6300
Retrofits model	N/A
Latchbolt throw	3/4"
Face plate length	9"
Projection	3/4"
Lockset	Rim exit device
Number of doors	Single or pair with mullion
Door/frame type	Hollow metal, aluminum and wood
EB (entry buzzer)	Optional
Certifications	UL1034, UL10C, UL 294, CSFM
Application notes	Surface mounted electric strike ideal for aftermarket applications. Strike designed for use with Von Duprin 98/99, however it can be used with most rim exit devices.

# 6300 Series dimensions



DC = Direct current

Continuous duty = Energized 1 min. or more

**Note:** When using device not listed or when retrofitting a strike to an existing application, please contact Von Duprin Technical Support for application assistance.

## Ordering information

6300 - S024 - EB

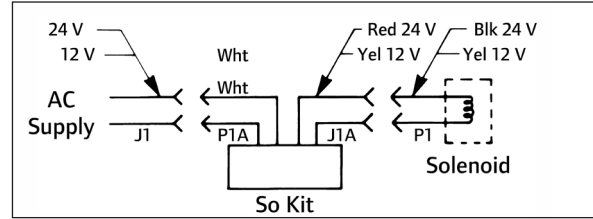


1	Model
6300	Surface mounted strike for rim exit devices
2	Rectifier kit (optional)
S012	Converts 12 VAC voltage to 12 VDC to operate the solenoid
S024	Converts 24 VAC voltage to 24 VDC to operate the solenoid
3	Buzzer (optional)
EB	Entry buzzer

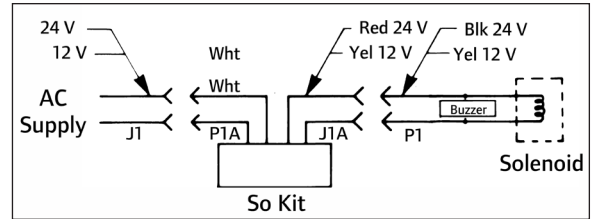
## Standard features

- Power failure mode: Fail-Secure (FSE)
- Voltage: field selectable 24 VDC or 12 VDC
- Finish: stainless steel, satin BHMA 630/US32D

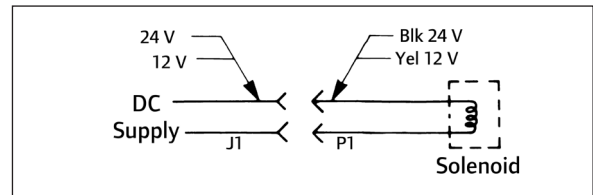
### AC



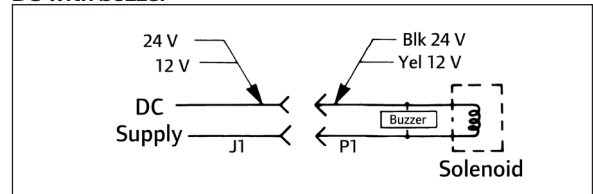
### AC with buzzer



### DC



### DC with buzzer



# 6400 Series modular strike for mortise and cylindrical locksets

## Overview

The 6400 electric door strike from Von Duprin is designed to be modular and highly configurable to fit nearly any mortise or cylindrical lock. This versatile strike allows the installer to insert and lock-in the deadbolt keeper or plug and deadlatch ramp anywhere within its 3 1/8" vertical opening to fit the latch position and functional needs. This, combined with a 1/8" horizontal adjustment, makes this easy-to-install design a good fit for installations where misalignment or a tight fit may be a problem.

As a 3-hour UL 10C listed strike, the 6400 Series is intended as a fail-secure only solution for fire-rated openings. Its durability and quality are shown by its grade 1 certification as a heavy-duty stainless steel strike with over 2,000,000 endurance cycles.

Use it as a time-saving, "go to" strike. The 6400 comes ready for use with prewired plug-in connectors for 12 or 24 VDC voltage that can be changed over to 12 or 24 VAC without a converter kit, two faceplates – one each for offset and centerline locks as well as a trim filler plate, mounting tabs and shims and a self-adhesive template for frame cuts. An optional "plug in" latchbolt monitor is also available and can be added in the field at any time after installation.

## Features and benefits

- Modular design fits cylindrical and nearly any mortise lock
- Heavy-duty stainless steel construction in BHMA 630 satin finish
- Vertical adjustments allow for alignment with a wide variety of mortise locks with offset latches
- Horizontal adjustment of up to 1/8" improves fit on tight door preps
- Can accommodate up to 1" deadbolt (for night latch only)
- Field selectable voltage 12 or 24VDC and 12 to 24VAC
- Plug-in voltage connectors are included for ease of installation and removal during strike servicing
- Optional plug-in latchbolt monitor can be added in the field
- Non-handed, unique internal solenoid design prevents keeper from heating up
- Low current draw (0.19 amps @ 24 VDC)
- Suitable for interior and exterior doors
- 3-hour fire-rated to UL 10C (fail secure only)
- UL 1034 listed for burglary-resistant electric door strikes
- UL 294 listed for access control system
- CSFM California State Fire Marshal listed
- ANSI/BHMA A156.31, Grade 1 certified
- Static strength: 1500 lbs
- Dynamic strength 70 ft-lbs
- Endurance 2,000,000 cycles



## Lockset compatibility

Vertical adjustment of the deadbolt keeper or deadlatch ramp allows for alignment with a wide variety of mortise locks with offset latches. Accommodates up to 1" deadbolt\*. Up to 1/8" horizontal adjustment for misaligned frames.

\* Night-latch function only, bolt will not release

## 6400 Series power requirements

Model	Mode	Voltage	Duty	Sound	Amps <sup>1</sup>	Ohms <sup>2</sup>
6400	Fail-locked	12 VDC	Continuous	Silent	.375	37
6400	Fail-locked	24 VDC	Continuous	Silent	.190	148
6400	Fail-locked	12-24 VAC	Intermittent	Buzz	.280 - .565	37

Intermittent duty = Energized less than 1 min. with duty ratio 1:5;

Continuous duty = Energized 1 min. or more.

<sup>1</sup>Ratings are based on maximum current draw at +10°C and include initial power-up current draw.

<sup>2</sup>Nominal resistance at +25°C +/- 7% tolerance.

## Model specifications

Model number	6400
Latchbolt throw	(Also accommodates 1" deadbolt as a nightlatch only - no release)
Backbox depth	4 7/8" (Includes two face plates: Centerline and Off-set latch entries)
Backbox depth	1 3/4"
Finish	US 32D/BHMA 630
Lockset	Cylindrical, mortise, mortise exit
Number of doors	Single
Door/frame type	Hollow metal, aluminum and wood
Options	2 Rectifier kits: <ul style="list-style-type: none"> <li>• SO12 Converts 12 VAC voltage to 12 VDC to operate the solenoid</li> <li>• SO24 Converts 24 VAC voltage to 24 VDC to operate the solenoid</li> </ul> (Entry Buzzer)
Certifications	ANSI/BHMA A156.31 Grade 1, 3-hour fire rated to UL 10C (FSE only), UL 1034, UL 294, CSFM
Applications notes	Modular electric strike ideal for aftermarket applications. Fail-secure only for fire-rated openings.

# 6400 Series modular strike for mortise and cylindrical locksets

## Wiring instructions

Use the appropriate wire harness supplied.

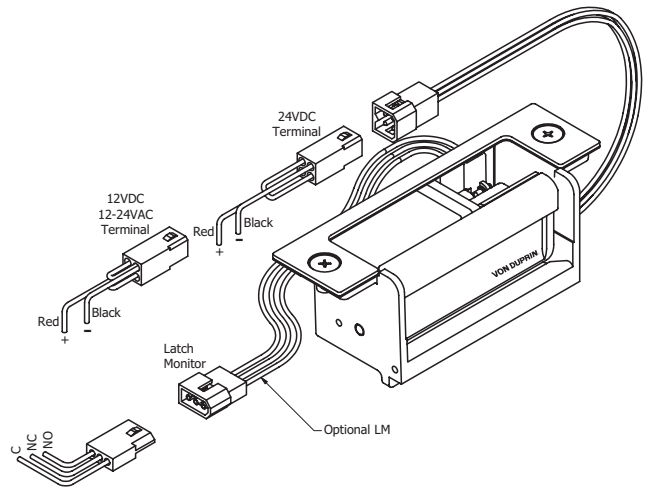
- 12V for 12VDC and 12-24VAC
- 24 for 24VDC only

Attach the red wire to (+) positive of the power supply. Attach the black wire to the (-) negative of the power supply. If using AC power, polarity is not observed.

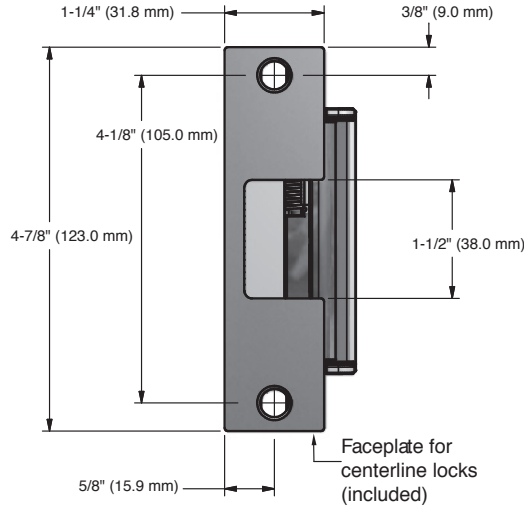
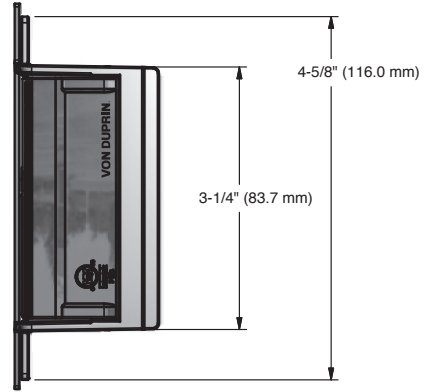
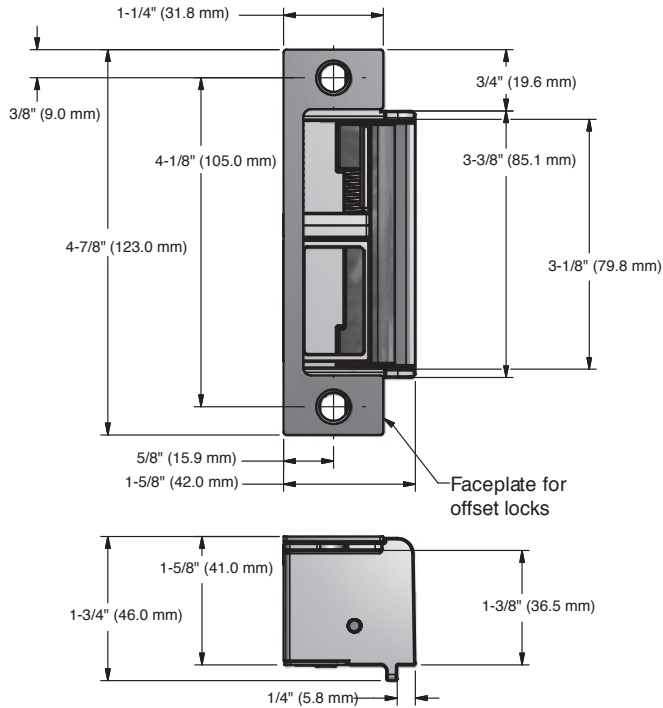
**Note:** If a suppression diode is required for access control, observe proper polarity.

## Latch monitor wires

- Black = Common (C)
- Blue = Normal Close (NC)
- Orange = Normal Open (NO)



# 6400 Series dimensions



**Note:** Not to scale. Specifications are subject to change without notice.

## Ordering information

6400 - S024 - EB

Model	Rectifier kit*	Buzzer*
1	2	3

\* Optional

1	Model
6400	Modular strike
2	Rectifier kit (optional)
S012	Converts 12 VAC voltage to 12 VDC to operate the solenoid
S024	Converts 24 VAC voltage to 24 VDC to operate the solenoid
3	Buzzer (optional)
EB	Entry buzzer

## Accessories

- LM6400 Latchbolt monitor - indicates when door is latched (ships separately)

## Standard features

- Power failure mode: Fail-secure only (FSE)
- Voltage: Field selectable 12 or 24 VDC and 12 or 24 VAC voltage
- Finish: Stainless steel, satin (BHMA 630/US 32D)
- Centerline and offset face plates included
- Also includes: two plug-in voltage connectors, self-adhesive template for frame cuts, trim filler plate, mounting tabs and shims, as well as tamper-resistant screws with a security driver bit

## Electric Strike/Lock information

### Finishes

US number	BHMA number	Description	Von Duprin number
US3	—	Plated polished brass on stainless steel	85
US4	—	Plated dull brass on stainless steel	84
US10	639	Plated dull bronze on stainless steel	06
US10B	640	Plated dark bronze on stainless steel	86
US32	629	Stainless steel, polished	31
US32D	630	Stainless steel, satin	32

### Wire size selection

Current requirement at 24VDC				
Length of wire run (in feet)	0-.5 Amp	.5-1 Amp	1-2 Amp	2-3 Amp
0-100	18	18	18	18
100-200	18	18	18	16
200-300	18	18	16	14
300-450	18	16	14	12
450-600	18	16	12	NR
600-900	16	14	NR	NR
900-1200	14	12	NR	NR

NR — Not recommended

### Cross reference

Name	Strike/Lock mounting	Number of doors	Frame material (SGL DR) Door material (BL DR)	Faceplate length	Drop in replaces Von Duprin:	Drop in replaces Folger Adam:
6111	Rim device	Single <sup>1</sup>	All	6"	3031	
6112	Rim device	Single	All	9"		310-4 <sup>4</sup>
6113	Rim device	Single	All	6"	3011, 21, 92	
6114	Rim nightlatch	Single	All	7"		310-5 <sup>5</sup>
6121	Rim device	Double-closed back	All	9"		310-4-100 <sup>5</sup>
6210	Mortise	Single	HM/Alu	4 <sup>7</sup> / <sub>8</sub> "		
6211	Mortise or cylindrical	Single	HM/Alu	4 <sup>7</sup> / <sub>8</sub> "	3140	712
6211AL	Mortise or cylindrical	Single	Aluminum	4 <sup>7</sup> / <sub>8</sub> "		722
6211WF	Mortise or cylindrical	Single	Wood	4 <sup>7</sup> / <sub>8</sub> "		732 <sup>6</sup>
6212	Mortise or cylindrical	Single	HM/Alu	6 <sup>3</sup> / <sub>8</sub> "	3146	
6212WF	Mortise or cylindrical	Single	Wood	6 <sup>3</sup> / <sub>8</sub> "		
6213	Mortise or cylindrical	Single	All <sup>2</sup>	6"	3041, 42, 61, 62	
6214	Mortise or cylindrical	Single	All <sup>3</sup>	9"		310-2 <sup>3</sup> / <sub>4</sub>
6215	Mortise or cylindrical	Single	All <sup>3</sup>	9"		310-2
6216	Mortise and deadbolt	Single	HM/Alu	9"		310-3-1
6221	Mortise or cylindrical	Double-open back	All	6"	3071, 72	
6222	Mortise or cylindrical	Double-open back	HM/Alu	9"		310-2 <sup>3</sup> / <sub>4</sub> OB
6223	Mortise or cylindrical	Double-closed back	All	6"	3091, 92	
6224	Mortise or cylindrical	Double-closed back	HM/Alu	9"		310-2 <sup>3</sup> / <sub>4</sub>
6224AL	Mortise or cylindrical	Double-closed back	Aluminum	9"		310-2 RF
6225	Mortise or cylindrical	Double-open back	HM/Alu	9"		310-2 OB
6226	Mortise or cylindrical	Double-closed back	HM/Alu	9"		310-2

<sup>1</sup>Includes double door with mullion.

<sup>2</sup>Recommended on wood frames only if drop in replacement is needed for 3041, 42, 61, 62 on wood frames. Otherwise use 6211WF.

<sup>3</sup>Recommended on wood frames only if drop in replacement is needed for 310-2<sup>3</sup>/<sub>4</sub>, 310-2 on wood frames. Otherwise use 6211WF.

<sup>4</sup>Strike lip area cutout is slightly larger than Folger Adam.

<sup>5</sup>Surface applied strike. Mounting hole locations different from Folger Adam.

<sup>6</sup>Wood frame horizontal solenoid location differs from Folger Adam. May require frame prep modification when retrofitting.

# Latch retraction

## Quiet electric latch retraction (QEL)

Quiet electric latch retraction (QEL) provides electronic control of an exit device for environments where limited operational noise is desired. These devices always provide mechanical egress. The electrified latch retraction can also be activated by an access system or building automation system to unlatch the exit device momentarily. Often the QEL is used with a credential reader and access control system to unlock the door momentarily for authorized users.

The QEL can also be configured to electronically retract the latch for an extended period of time to allow free entry. This is a convenient alternative to mechanical dogging. If manual dogging is required, the hex dogging option is available, to order specify HD-QEL. Special center case dogging is also available for 98/99 rim and vertical systems, specify SD-QEL.

The QEL option is available on panic devices and fire rated devices. UL approved for Class II circuit applications.

The QEL option does not include the power transfer from door to frame, the power supply, or the control operator. Refer to EPT and PS900 power supply sections for additional information. QEL can use PS902, 904, 906, 914 with 2RS, 4RL or 4R board.

The QEL has a low inrush current, so it can be used with standard Schlage power supplies. Calculate the peak current draw of all devices in the system to determine the required amperage of the supply.

The -2RS option board is designed to control two electric latch retraction devices and provide time delay between the firing of outputs is required. The power transfer is also sold separately.

### To order, specify:

- Standard — Use prefix QEL, example QEL99L.
- Special center case dogging — Use prefix SD-QEL, example SD-QEL99L
- Hex Key dogging — Use prefix HD-QEL, example HD-QEL99L

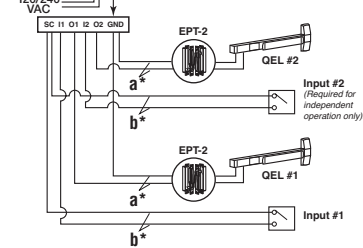
**Note:** Baseplate and modular QEL conversion kits are available for field retrofit. Please see price book for part numbers.

Schlage PS902	Schlage PS904	Schlage PS906
up to 2 amps	up to 4 amps	up to 6 amps

<b>QEL Electrical load</b>	
Voltage	24VDC
Current	1.0 A Inrush (0.5 sec.) / 0.14 A Holding

<b>Minimum door opening widths</b>				
Application	Surface vertical	Concealed vertical	Mortise	Rim
Min. door opening	28 1/4"	28 1/4"	28 3/4"	29 1/4"

**Popular application**  
Power supply PS902-2RS  
Electric power transfer EPT-2 or EPT-10



<b>a*</b>	Distance (one-way)	Wire gauge
	200'	18 AWG
	320'	16 AWG
	500'	14 AWG
	800'	12 AWG

<b>b*</b>	Wire selection	Switch wire size
	1200 ft. Max.	18 gauge standard



## Electric latch retraction (EL)

The Electric latch retraction (EL) option provides electronic control of an exit device using a powerful, continuous duty solenoid. If manual dogging is required, special center case dogging is also available for 98/99 rim and vertical systems, specify SD-EL. SD-EL is not available on 9875 or 9975 devices. UL approved for Class II circuit applications. The EL option does not include the power transfer from door to frame, the power supply, or the control operator. Refer to EPT-2 power transfer and the PS914 power supply. The PS914 with the 9002RS option card is the minimum option card required. Other option cards available for other functions, see PS914 power supply for additional information.

### Solenoid specifications:

Continuous duty – 24 VDC  
Current inrush – 16 Amps  
Current holding – 0.3 Amps

### Solenoid resistance:

-grn-yel 1.2 – 2.2 OHMS  
-grn-org 100 – 150 OHMS

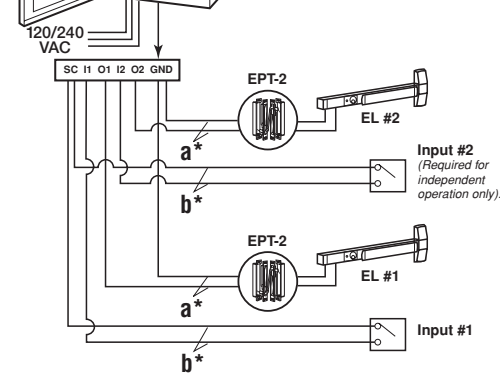
### To order, specify:

- Standard – Use prefix EL, example EL99L.
- Hex Key dogging – Use prefix HD-EL, example HD-EL99L
- Special center case dogging – Use prefix SD-EL, example SD-EL99L

**Note:** Baseplate EL Conversion kits are available for field retrofit. Please see parts/service manual for part numbers.

<b>Minimum door opening widths</b>				
Application	Surface vertical	Concealed vertical	Mortise	Rim
Min. door opening	28 1/4"	28 1/4"	28 3/4"	29 1/4"

**Popular EL application**  
Power supply PS914-2RS  
Electric power transfer EPT-2 or EPT-10

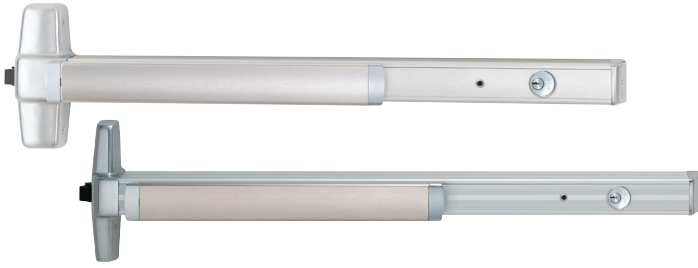


Von Duprin exit device	EL Wire length (feet) <sup>1</sup>	Wire gauge (AWG)
EL 98/99 Rim	0-500	12
EL 33A/35A Rim	0-300	14
<b>a*</b>	0-200	16
	0-250	12
All other 98/99EL	0-150	14
	0-100	16
<b>b*</b>	Control Switch	0-1200
		18

1. Wire lengths include an EPT, Door loop, electric hinge or pivot and are measured one way between the PS914/option board and the device.  
2. Table is applicable to devices that have shipped after August 2012.

# Delayed egress

## Chexit (CX) (with motor driven blocking actuator)



The Von Duprin Chexit device is designed for controlled egress applications. It meets both life safety and security needs, as well as the requirements of NFPA 101 for “Special Locking Arrangement” and IBC “Special Egress-Control Devices”. All control inputs, auxiliary locking, local alarm and remote signaling outputs are self-contained in the Chexit assembly. Numerous configurable options allow the device to be customized for the specific code or application requirements. The standard Chexit device sounds an alarm and keeps the door secured for 15 seconds following an exit attempt with immediate release upon fire.

The Chexit device includes a 6" x 20" decal for application on door.

“PUSH UNTIL ALARM SOUNDS. DOOR CAN BE OPENED IN 15 SECONDS”

### Chexit typical applications

Chexit single door with options – The Chexit is used as an access control device. The card reader allows access. Also shown in this application is an external horn and door position switch. The auxiliary horn is used for increased volume in remote locations.

Using a door position switch gives added security to the opening in case the door is not reclosed. Door position switch is recommended with Chexit. DPS improves security for door forced-open or held-open situations.

With the Chexit disarmed, the opening functions as a normal exit device. If card readers are required on both sides of the door, the normally closed contacts of the readers should be wired in series.

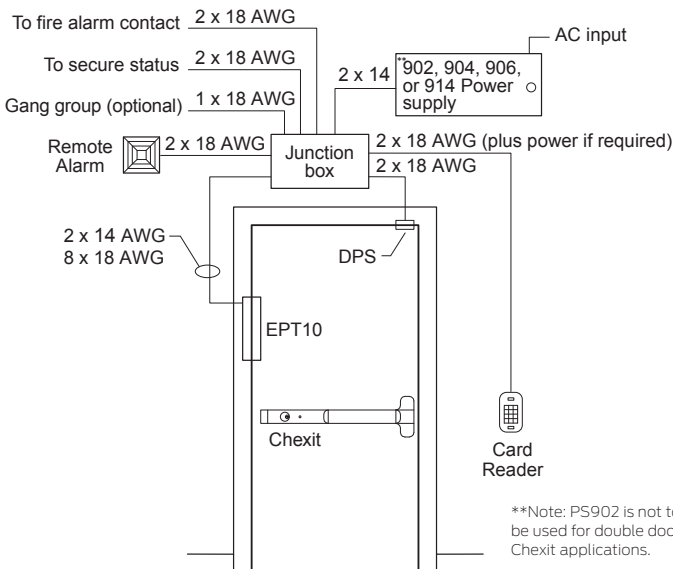


Figure 1. Riser diagram, single door

## Minimum door opening sizes for CX devices

Consult factory for other size requirements.

Device	3' (914mm) Length	4' (1219mm) Length
CX33A/35A	2'10 <sup>3</sup> / <sub>4</sub> " (883mm)	3'4 <sup>3</sup> / <sub>4</sub> " (1035mm)
CX3327A/3327A-F/3527A/3527A-F	2'10 <sup>1</sup> / <sub>4</sub> " (870mm)	3'4 <sup>1</sup> / <sub>4</sub> " (1022mm)
CX3347A/3347A-F/3547A/3547A-F	2'10 <sup>1</sup> / <sub>4</sub> " (870mm)	3'4 <sup>1</sup> / <sub>4</sub> " (1022mm)
CX3348A/3348A-F/3548A/3548A-F	2'10 <sup>1</sup> / <sub>4</sub> " (870mm)	3'4 <sup>1</sup> / <sub>4</sub> " (1022mm)
CX3349A/3349A-F/3549A/3549A-F	2'10 <sup>1</sup> / <sub>4</sub> " (870mm)	3'4 <sup>1</sup> / <sub>4</sub> " (1022mm)
CX3350/3350WDC-F/3550/3550WDC-F	2'10 <sup>1</sup> / <sub>4</sub> " (870mm)	3'4 <sup>1</sup> / <sub>4</sub> " (1022mm)
CX98/98-F/99/99-F	2'10 <sup>3</sup> / <sub>4</sub> " (883mm)	3'4 <sup>3</sup> / <sub>4</sub> " (1035mm)
CX-XP98/XP98-F/XP99/XP99-F	2'10 <sup>3</sup> / <sub>4</sub> " (883mm)	3'4 <sup>3</sup> / <sub>4</sub> " (1035mm)
CX9827/9827-F/9927/9927-F	2'10 <sup>1</sup> / <sub>4</sub> " (870mm)	3'4 <sup>1</sup> / <sub>4</sub> " (1022mm)
CX9847/9847-F/9947/9947-F	2'10 <sup>1</sup> / <sub>4</sub> " (870mm)	3'4 <sup>1</sup> / <sub>4</sub> " (1022mm)
CX9848/9848-F/9948/9948-F	2'10 <sup>1</sup> / <sub>4</sub> " (870mm)	3'4 <sup>1</sup> / <sub>4</sub> " (1022mm)
CX9849/9849-F/9949/9949-F	2'10 <sup>1</sup> / <sub>4</sub> " (870mm)	3'4 <sup>1</sup> / <sub>4</sub> " (1022mm)
CX9850/9850WDC-F/9950/9950WDC-F	2'10 <sup>1</sup> / <sub>4</sub> " (870mm)	3'4 <sup>1</sup> / <sub>4</sub> " (1022mm)
CX9857/9857-F/9957/9957-F	2'10 <sup>1</sup> / <sub>4</sub> " (870mm)	3'4 <sup>1</sup> / <sub>4</sub> " (1022mm)
CX9875/9875-F/9975/9975-F	2'10 <sup>1</sup> / <sub>4</sub> " (870mm)	3'4 <sup>1</sup> / <sub>4</sub> " (1022mm)

### Specifications / Power supply

Input voltage – 24VDC

Input current inrush – 1.25A

Input current holding – 390mA

Alarm relay and Secure relay contact ratings – 24VDC, 1A

Fire alarm, Inhibit and Door position switch inputs require normally closed dry contacts.

### Power supply information for CX devices with motor driven blocking actuator.

Power supply	Maximum number of devices
PS902 (up to 2 amps)	1 Chexit device
PS904 (up to 4 amps)	3 Chexit devices
PS906 (up to 6 amps)	4 Chexit devices
PS914 (up to 4 amps)	4 Chexit devices

When powering multiple components, verify that the amperage requirements of all components combined does not exceed the power supply output rating. Consult Installation Instructions for proper wire gauge and wire run requirements. Exceeding the recommended devices and/or not following Installation Instructions may void your warranty. For more information call Customer Care at 877-671-7011.

### To order, specify:

1. Prefix product description number “CX”. Ex: CX99L
2. Specify option. Ex: CX-RCM or CD-CX
3. Door size other than 3' (914mm).
4. Door thickness other than 1<sup>3</sup>/<sub>4</sub>" (45mm).
5. Finish.
6. Handing, LHR or RHR. Required with “CD” option.

**Note:** Chexit devices built after August 24, 2015 are built using motor driven blocking actuators that have decreased power supply and operating requirements. The information listed in this catalog references the power supply and operating requirements that are needed for the new products with motor driven blocking actuators. For information on devices built previous to August 24, 2015, please contact Customer Care at 877-671-7011.



## RCM Remote Chexit Module

Designed to provide the concept of the Chexit delayed exit system for door sizes smaller than the standard device can accommodate. The Chexit module is installed in a control box and mounted on the wall next to the door. Features and functions of the standard Chexit exit device are available on the RCM.



RCM Module

### Minimum door opening sizes for RCM devices

Consult factory for other size requirements.

Device	3' (914mm) Length	4' (1219mm) Length
CX-RCM33A/35A	2'5" (737mm)	2'11" (889mm)
CX-RCM3327A/3327A-F /3527A/3527A-F	2'4½" (724mm)	2'10½" (876mm)
CX-RCM3347A/3347A-F /3547A/3547A-F	2'4½" (724mm)	2'10½" (876mm)
CX-RCM3348A/3348A-F /3548A/3548A-F	2'4½" (724mm)	2'10½" (876mm)
CX-RCM3349A/3349A-F /3549A/3549A-F	2'4½" (724mm)	2'10½" (876mm)
CX3350/3350WDC-F/ 3550/3550WDC-F	2'4½" (724mm)	2'10½" (876mm)
CX-RCM 98/98-F/99/99-F	2'5" (737mm)	2'11" (889mm)
CX-RCM XP98/XP98-F/XP99/XP99-F	2'5" (737mm)	2'11" (889mm)
CX-RCM 9827/9827-F/9927/9927-F	2'4½" (724mm)	2'10½" (876mm)
CX-RCM 9847/9847-F/9947/9947-F	2'4½" (724mm)	2'10½" (876mm)
CX-RCM 9848/9848-F/9948/9948-F	2'4½" (724mm)	2'10½" (876mm)
CX-RCM 9849/9849-F/9949/9949-F	2'4½" (724mm)	2'10½" (876mm)
CX-RCM 9850/9850WDC-F/ 9950/9950WDC-F	2'4½" (724mm)	2'10½" (876mm)
CX-RCM 9857/9857-F/9957/9957-F	2'4½" (724mm)	2'10½" (876mm)
CX-RCM 9875/9875-F/9975/9975-F	2'5½" (743mm)	2'11½" (902mm)

### Specifications / Power supply\*

Size – 3.75" x 5.57" x 2.50"
Input voltage – 24VDC
Input current inrush – 1.25A
Input current holding – 390mA
Alarm relay and Secure relay contact ratings – 24VDC, 1A
Fire alarm, Inhibit and Door position switch inputs require normally closed dry contacts.

### To order, specify:

See Chexit "How to order" on previous page.

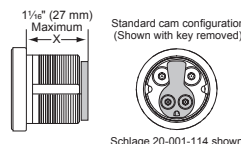
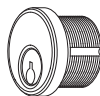
\*Note: The information listed in these pages reference the power supply and operating requirements for the redesigned RCM modules with motor driven blocking actuator that launched August 24, 2015. For information on devices built previous to August 24, 2015, please contact Customer Care at 877-671-7011.

### Options



**Cylinder dogging (CD)** — Special center case cylinder dogging option is available to allow push/pull operation of the Chexit, when disarmed and used in a heavy traffic area. Prefix device with "CD" and specify handing. (For Chexit, CD available on 98/99 rim and vertical only)

**Cylinders** — Cylinders are not furnished with the Chexit device and must be specified when ordering. Use 1¼" mortise cylinder with compression ring 36-083 with straight cam and orient cam as shown. Schlage cylinder 20-001-114 recommended for the device and the CD cylinder dogging option. See Schlage Pricebook for additional information.



## DE5300 Delayed Egress System

Designed for controlled egress applications when used in conjunction with a magnetic lock. It meets both life safety and security needs, as well as the requirements of NFPA for "Special Locking Arrangement" and IBC "Special Egress-Control Devices". All control units, auxiliary locking, local alarm and remote signaling outputs are self-contained in the DE5300 assembly.

The DE5300 is commonly used on narrow stile doors where a standard or narrow stile Chexit is not practical. DE5300 Delayed Exit System uses a Chexit logic board and a Von Duprin RX-LC (low current request to exit) panic device to control a Schlage Electronics Direct Hold Magnetic Lock.



DE5300 Module

The Chexit module for the DE5300 is installed in a control box and mounted in the wall adjacent to the door. Features and functions of the standard Chexit exit device are available on the DE5300.

The DE5300 device includes a 6" x 20" decal for application on door. "PUSH UNTIL ALARM SOUNDS. DOOR CAN BE OPENED IN 15 SECONDS"

### Specifications / Power supply requirements

Size – 3.75" x 5.57" x 2.50"
Input voltage – 24VDC
Input current – 1A
Alarm relay and Secure relay contact ratings – 24VDC, 1A
Fire alarm, Inhibit and Door position switch inputs require normally closed dry contacts.

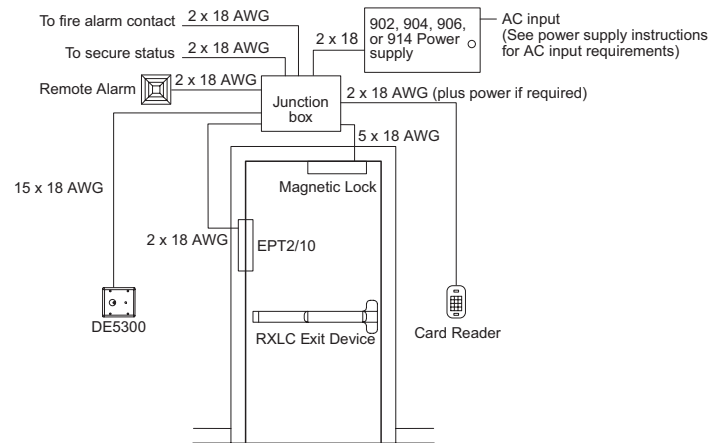


Figure 1. Riser diagram, single door

### To order, specify:

1. DE5300
2. M420/P, M450/P, or M490/P magnetic lock (order direct from Schlage Electronics).
3. RX-LC 22/33A/35A/98/99 device.
4. PS900 Series
5. EPT-2/10

# Chexit, RCM and DE5300 features

The Chexit, Remote Chexit Module (RCM) or DE5300 devices have several features and options available to fit your applications. See below for more information.

## Inputs and outputs

### Fire alarm input

This input releases the door immediately upon a fire alarm allowing immediate egress. The internal alarm can be silenced during a fire input via an onboard switch setting.

### Inhibit input (access control)

This optional input is provided to allow authorized egress or entry when the device is Armed using an external card reader, key switch, etc. It also allows remote reset of the Chexit, RCM or DE5300 in an armed condition. The ability to reset alarms with the inhibit input can be disabled via an onboard switch setting.

### Door position switch input

An optional Door Position Switch (DPS) can provide door position status to Chexit, RCM or DE5300 for additional security, ensuring that the door is closed, and can cause alarm when the door is left or forced open.

### Gang bus

The gang bus allows a Chexit, RCM or DE5300 device to signal other Chexit, RCM or DE5300 devices when it enters the release delay, allowing multiple doors to release at the same time in an emergency. Up to 8 devices may be connected to the gang bus.

### Alarm relay contacts

The alarm relay contacts are provided as a means to control a remote alarm, such as a horn or lamp, or signal an external monitor. The contacts can be configured with a jumper as normally open or normally closed, and become active upon entering an armed condition.

### Secure relay contacts

The secure relay contacts are provided as a means to signal an external monitor. The contacts can be configured as normally open or normally closed with a jumper, and become active when the DPS indicates the door is closed and the push pad is locked.

## Delays

### Release delay

When the push pad is pushed and the nuisance delay expires, the Chexit, RCM or DE5300 enters the release delay with alarm. During the release delay, the internal alarm sounds, the alarm relay activates, and the Chexit/RCM keeps the push pad or DE5300 magnetic lock, locked for 15 seconds (less any time already elapsed during the nuisance delay). Once started, the release delay sequence will not stop and the devices will unlock.

### Nuisance delay

When a Chexit, RCM or DE5300 is located in a public area, it can be desirable to limit false releases when the push pad is accidentally pushed. The nuisance delay is the brief time a push pad can be accidentally pushed before the release delay sequence starts. If the nuisance time is set to 0 seconds the Chexit, RCM or DE5300 will enter release delay as soon as the push pad is pushed (when armed). Setting the nuisance time to 1, 2, or 3 seconds allows the push pad to be pressed for 1 to 3 seconds before the Chexit, RCM or DE5300 goes into release delay. If the nuisance audio and nuisance delay are both on, the internal alarm will pulse during the nuisance delay. The alarm relay does not activate during the nuisance delay. If the push pad is released before the nuisance delay expires, the Chexit, RCM or DE5300 will remain armed.

### Rearm delay

The rearm delay is the amount of time after the key switch or inhibit input is deactivated to when the device rearms. It is designed to give someone time to pass through the door before rearming occurs. The rearm time can be changed via the onboard switch settings from 0 and 28 seconds in 2 second increments. If the rearm time is set to 30 seconds and a DPS is used, if the door is opened and the rearm time expires, there will be no alarm. The Chexit, RCM or DE5300 will rearm after the door is closed. If the door never opens, the Chexit, RCM or DE5300 will rearm after 30 seconds. If not using a DPS, the Chexit, RCM or DE5300 will always rearm in 30 seconds.

### DPS delay

If the DPS detects that the door closed during the rearm delay, the Chexit, RCM or DE5300 ends the rearm delay and allows 2 seconds for the latch to clear the strike before rearming.

## Interface

### Key switch

The key switch provides the means to arm or disarm/reset the Chexit, RCM or DE5300. Turning the key switch clockwise initiates the rearm delay, and turning the key switch counter-clockwise disarms/resets the Chexit, RCM or DE5300. The key switch allows the key to be removed in either the arm or the disarm/reset position.

### Status indicator

The red status indicator displays the status of the Chexit, RCM or DE5300. The status indicator flashes slow if the Chexit, RCM or DE5300 is armed, flashes fast in an armed mode, is off when inhibited and on solid during rearm delay.

### Internal alarm

The internal alarm sounds the status of the Chexit, RCM or DE5300. The internal alarm sounds continuously during and after a fire alarm or a release delay, pulses fast during the nuisance delay or a tamper and pulses slow during disarmed powerup mode.

## Settings

### Armed powerup

When set to OFF, a power disruption and power return will put the Chexit, RCM or DE5300 in a disarmed, unlocked alarm mode.

### Trim fail safe / fail secure (FS/FSE)

The trim input power can be set to FS (Fail Safe; locked when energized, unlocked when deenergized or during power failure) or FSE (Fail Secure; unlocked when energized, locked when deenergized or during power failure).

The trim must be bought or modified to physically function as FS or FSE. This on board setting only selects the trim input power.

## Trim operation overview

### Rim and vertical application

Trim will not function when Chexit is armed.

### Mortise application

Trim will function when Chexit is armed.

### Chexit requiring pull side operation:

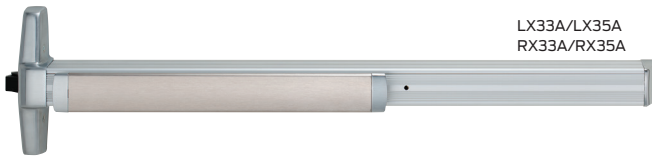
	Mechanical trim	Electric trim
Rim and vertical	Access control disarms Chexit. Rotate lever to enter.	Access control disarms Chexit and unlocks electric trim. Rotate lever to enter.*
Mortise	a) Use key to unlock lever. Rotate lever to enter. ** b) Use RX996L-M to disarm Chexit. Rotate lever to enter. ***	Access control disarms Chexit and unlocks electric trim or electric mortise lock. Rotate lever to enter.

\* Fail Secure Trim recommended. For Fail Safe applications, contact technical support to review application

\*\* Do not use Door Position Switch with Chexit in this application

\*\*\* Allows free ingress at all times

# Switches



## Request to exit (RX)

The RX feature is used to signal the use of an opening. This device is equipped with one internal SPDT switch which monitors the pushpad.

The device can be connected to a security console, or may be used as a single door alarm when used with a horn and power supply.

The RX switch option should not be used to control a load, but as a signalling switch (2 amps. resistive maximum).

The RX switch is available in a low current (LC) 50ma max switch. Most commonly used to signal low-current access control inputs.

### To order, specify:

- Standard – Use prefix RX, example RX99EO
- Low Current – Use prefix RX-LC, example RX-LC98EO

## Double request to exit (RX2)

The RX2 feature uses two RX switches.

### To order, specify:

- Standard – Use prefix RX2, example RX299EO

## Waterproof request to exit (WP-RX)

- Switch rated to IP67 – protected from contact with harmful dust and from immersion in water with a depth of up to 1 meter (3.3 feet) for up to 30 minutes
- Note:** All in-field electrical connections should be in compliance with IP67 to ensure trouble free operation.

## Latchbolt monitoring (LX)

The LX feature is used to signal the use of an opening. This device is equipped with one internal SPDT switch which monitors the latch bolt.

The device can be connected to a security console, or may be used as a single door alarm when used with a horn and power supply.

The LX switch option should not be used to control a load, but as a signalling switch (2 amps. resistive maximum).

The LX switch is available in a low current (LC) switch. Most commonly used in computer operated monitoring systems.

### To order, specify:

- Standard – Use prefix LX, example LX99EO
- Low Current – Use prefix LX-LC, example LX-LC98EO

### Electrical rating for all switches:

- Standard – 2 Amp maximum @ 24VDC
- Low Current (LC) - below 50 Milliamps @ 24VDC

### LXNotes:

XP 98/99 uses LX-LC, factory installed only.  
98/9975, 5575, 8875 use the SS7500 lock body  
LX not recommended for CVC devices.  
All RX and LX switches can be factory installed; most can be field installed.



## Signal switch (SS)

### Monitors pushpad and latch bolt

The SS feature is used to signal the unauthorized use of an opening. This device is equipped with two internal SPDT switches. One switch monitors both the pushpad and the latch bolt assembly, making the latch bolt tamper resistant, for positive security. An additional SPDT switch is connected to the 1 1/4" (32mm) mortise cylinder with straight cam for alarm "bypass." (Schlage cam reference L583-477). The device can be connected to a security console, or may be used as a single door alarm when used with a horn and power supply.

Pushpad reads: "Emergency Exit ONLY – Push To Open And Sound Alarm." Pushpad is only available in US32D finish with red silk-screened lettering.

The SS mortise lock device is furnished with both the signal switch device and the SS7500 mortise lock. The SS7500 mortise lock has the versatility and advantages of the 7500 lock with the addition of signalling functions to monitor latch bolt operation and the trim locking function. The SS7500 mortise lock is supplied standard with the SS mortise lock device.

### To order, specify:

- Prefix SS, example SS99L.
- Handing required, LHR or RHR.

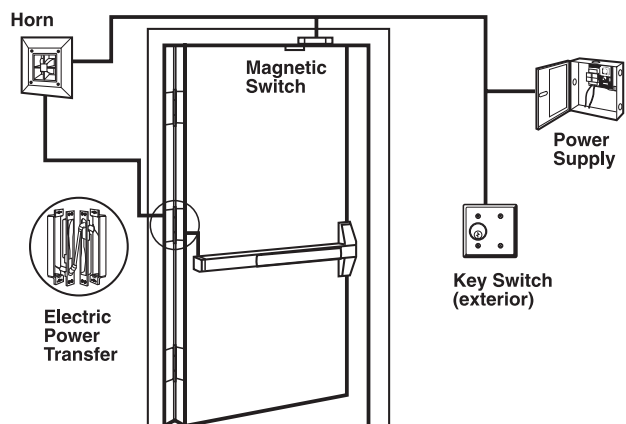
### Electrical ratings:

Up to 2.0 AMPS @ 24VDC

**Note:** SS is a factory installed option only.

## Popular SS Application

Unauthorized use of this opening will activate the local horn. The key switch permits inhibiting this system for authorized entry.



## Alarm kit



**Alarm kit (ALK)** is a simple yet effective way to deter unauthorized use of an opening. While the exit device is still a means of egress, the ALK kit contains an internal horn. When the touch bar is depressed, the horn sounds to provide an audible means of signaling that the opening has been violated. The alarm kit can be armed or disarmed by key thus allowing the exit device to be set in an armed or disarmed mode. The horn is rated at 85 decibels.

### For hardwire applications

The assembly includes both a 24VDC Input and External Inhibit standard. The External Inhibit provides remote arming and disarming.

The key switch uses a standard 1 1/4" (32mm) mortise cylinder with a straight cam (Schlage 20-001, L583-477 cam). The unit operates on one standard 9-volt alkaline battery. When the battery is weak, the horn will emit an intermittent low battery alert signal.

Auto reset (AR) option is available with this kit. This kit allows the device to resume the alarm option after a preset time. Preset times can be field selected at 1.5, 3, or 4.5 minutes.

Alarm kits are available with a choice of two switch kits, RX or LX. RX monitors the touchpad and is furnished standard. LX optional latch bolt monitoring is recommended for use with surface vertical rod exit devices or when alarm needs to sound from both the exit device and trim side of the door. Specify ALK-LX.

**Note:** For latch bolt monitoring on a 98/9975 with ALK, specify a SS7500 lock. LX switch not available for 98/9975 devices.

The ALK is available in two styles, 33A/99ALK, grooved cover and 35A/98ALK, smooth cover.

The ALK includes a 6" x 20" decal for application on door "EMERGENCY EXIT ONLY. ALARM WILL SOUND." RSS push bar trim can be used instead of the door decal, specify RSS push bar trim when ordering the device.

When the ALK is used, standard dogging is removed. If cylinder dogging is required there are two choices. Special center case dogging (SD) is available on 98/99 rim and vertical devices. Or, the ALK can be moved to the hinge side of the device to accommodate cylinder dogging (CD). Standard for 98/99; engineering special for 33/35A. Note size restrictions below.

### To order, specify:

1. Standard, 98 ALK
2. Special center case dogging, SD98 ALK (98/99 Series rim and vertical devices only)
3. Cylinder Dogging, CD98 ALK

### Minimum door opening sizes on ALK applications\*

Device	3' (914mm) Length	4' (1219mm) Length
98/98-F/99/99-F	2'10" (864mm)	3'4" (1016mm)
9875/9875-F/9975/9975-F	2'10" (864mm)	3'4" (1016mm)
9827/9827-F/9927/9927-F	2'10" (864mm)	3'4" (1016mm)
9857/9857-F/9957/9957-F	2'10" (864mm)	3'4" (1016mm)
9847/9847-F/9947/9947-F	2'9" (838mm)	3'3" (991mm)
9848/9848-F/9948/9948-F	2'9" (838mm)	3'3" (991mm)
9849/9849-F/9949/9949-F	2'9" (838mm)	3'3" (991mm)
33A/35A	2'9" (838mm)	3'3" (991mm)
3327A/3527A	2'8" (813mm)	3'2" (966mm)
3347A/3347A-F 3547A/3547A-F	2'8" (813mm)	3'2" (966mm)
3348A/3348A-F 3548A/3548A-F	2'8" (813mm)	3'2" (966mm)
3349A/3349A-F 3549A/3549A-F	2'8" (813mm)	3'2" (966mm)

\* Sizes shown are without CD option.

- 3' devices with CD: cannot be cut.
- 4' devices with CD: cut off 6" maximum

## Electrified mortise and electrified trim



E996L Electrified lever trim provides remote locking and unlocking. Available in either fail safe (FS) or fail secure (FSE) condition, but can also be field converted where allowed. E996L is furnished standard with cylinder operation for nightlatch (NL) function, or with blank escutcheon (BE).

### To order, specify:

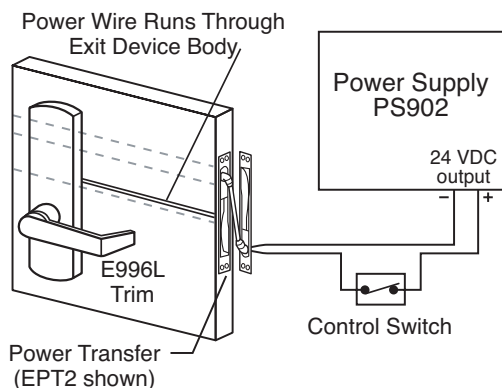
1. Use "E" prefix, example E996L. When ordering with the exit device specify trim series with prefix "E", example 9927L-BE 3' US26D E996.
2. If ordering trim separately from device, specify device type: R/V (rim/surface vertical/concealed vertical) or M (mortise). Example E996L-R/V
3. RHR is furnished standard if not specified. Field reversible.
4. Lever style (O6 lever is furnished standard).
5. Specify 12VDC or 24VDC (Standard)

### Specifications

0.6 AMPS @ 12 VDC, 0.22 AMPS @ 24 VDC

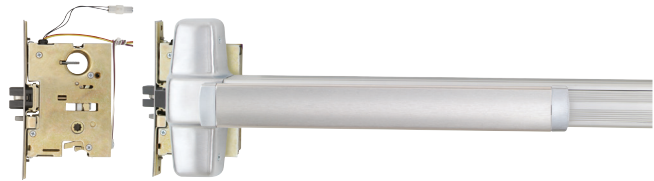
### E996L Electrical wiring

- Power input for E996L is 12VDC or 24VDC
- Two wires on trim are non-polarized (18 AWG minimum)



- RX option available for 996 trim to monitor lever trim operation (available as L or L-BE). To order, add RX prefix to trim description.

**Note:** The RX switch option should not be used to control a load, but as a signaling switch only.



The electric mortise lock device has all the versatility and advantages of the standard mortise lock device, plus the advantage of being electrically controlled by a remote switching device, an access control system or an automatic fire alarm system. The device features the E7500 mortise lock. The E7500 controls the locking of the outside trim. When unlocked, the door remains latched, preserving the fire rating of the door and making it particularly useful where codes permit locking but require unlocking during a fire emergency. The outside trim cylinder retracts the latch bolt for mechanical override, night latch function. Only available with TP, K or L functions.

The E7500 lock contains a SPDT signal to monitor the outside trim condition (locked or unlocked) and a second SPDT signal switch to monitor the latch bolt.

### Standard features:

- Field reversible handing
- 24 VDC continuous duty solenoid

### Optional features:

- Fail safe (locked when energized, unlocked when de-energized or during power failure). Specify with suffix "FS."
- Fail secure (unlocked when energized, locked when de-energized or during power failure). Specify with suffix "FSE"
- 24 VAC (with SO option)
- 12 VDC
- 12 VAC (with SO option)

**Note:** Some Fire codes will require "Fail Safe" (FS) operation for stairwell doors. Be sure to specify the correct operation for your application.

### Electrical specifications:

- Solenoid — .60 AMPS @ 12VDC  
.30 AMPS @ 24VDC
- Each switch — Up to 2.0 AMPS @ 24VDC Maximum

The E option does not include the power transfer from door to frame, the power supply or the control operator. (Refer to EPT-10 and PS900 power supplies)

### To order, specify:

1. When ordering complete exit device, use prefix "E," example E9975. (When ordering the lock body separately, use E7500)
2. FS or FSE
3. 12V or 24V
4. See 98/99 Series catalog for lever design options.
5. DC or AC current

**Note:** Prior to ordering, check device catalog to confirm compatibility with a specific device.

### Electric mortise lock device

Adaptable for openings where continuous latching is required while the trim may be electrically locked or unlocked from a remote location—stairwells, exterior doors, etc.

### Minimum system requirements:

- PS902
- EPT-10 or electric hinge

# Power supplies

## PS900 Series power supplies



### Overview:

The PS900 Series is a consolidated line of power supplies and accessories that offer enhanced flexibility and functionality specific to the changing needs of the access control market. The PS900 Series can be used in a variety of applications to convert high voltage AC power into the regulated low voltage DC outputs required by most access control devices. The PS900 Series protects devices downstream by providing Class 2\*, filtered and regulated power. The full line is UL294 certified.

### Features:

- Constant output rating at both 12 VDC or 24 VDC provides superior performance ; includes field selectable jumper
- Flat mounting of option boards provides easier access to terminal blocks for connection of electrified devices
- High voltage protective cover
- Battery back-up board auto-selects voltage
- Fire alarm relay can be configured to provide either switched or un-switched outputs from a power supply
- PS914 designed with high inrush current for powering solenoid-driven EL exit devices
- Universal 120-240 VAC input
- Low voltage DC, regulated and filtered
- Electronic power limiting foldback circuit for AC current overload protection
- Fused primary input
- AC status monitor- isolated SPDT contacts
- AC input and DC output LED status indicators
- Cover mounted AC input indication
- Hinged cover with lock down screws

### Certifications:

- UL 294 certified—the standard for access control
- Class 2 rated\*

The PS900 Series offers a variety of distribution options, including basic fuse protection, simple relay, and advanced logic providing complex sequencing and timing functions.

### Connectors on the power supply

Product	Schlage PS902	Schlage PS904	Schlage PS906	Von Duprin PS914
Amperage	2 amps	4 amps	6 amps	4 amps with 16 amp inrush
Distribution boards	1	2	3	2
Battery back-up board	1	1	1	1
EL Compatible	No	No	No	Yes

### Applications:

The PS900 Series of power supplies works with many electrified devices including Schlage electromagnetic locks, Schlage AD-Series hardwired locks, Schlage electrified mechanical locks, Von Duprin electrified strikes , Von Duprin exit devices, and many other brands.

### Accessories:

The PS900 Series features seven option boards for use in a variety of applications. All PS900 Series power supplies option boards are UL 294 certified.

### Option boards:

**900-4R:** 4 relay controlled output board to power multiple devices

**900-4RL:** 4 relay distribution board with logic is field configurable for time delay function, auto operator, security interlock

**900-8F:** Provides 8 individually fuse-protected outputs, giving the flexibility to power multiple devices and provide another layer of protection

**900-8P:** Provides 8 individually PTC -protected (thermally protected) outputs, giving the flexibility to power multiple devices and provide another layer of protection

**900-FA:** Emergency interface relay integrates with fire alarm and is used to cut power in case of emergency\*\*

**900-BB:** Battery backup

**900-2RS:** 2 relay control board for electric latch panic devices (EL or QEL), electric strikes or electrified trim

**900-BBK:** Battery backup kit includes two 7A/hr batteries and provides up to four hours of backup power when cycled every 5 minutes at full load

### Additional options:

**900-KL:** Key lock

**BAA:** Buy American Act compliant product

\* PS906, output rating exceeds Class 2 power limits, but can provide Class 2 rated outputs when used with 900-8P distribution board.

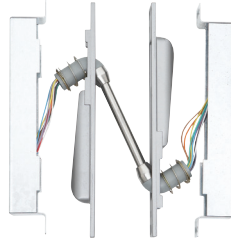
\*\* One fire alarm board can be connected directly to the PS902. If a fire alarm board is desired for the PS904, PS906 or PS914 it can be connected to a distribution board.

# Power transfers and electromagnetic locks

## Electrical power transfer (EPT)

### Pneumatic transfer (PNT)

Electric Power Transfer provides a means of transferring electrical power from a door frame to the edge of a swinging door. The units are completely concealed when the door is in the closed position, and are ideal for installations involving abuse or heavy traffic.



Two models are available; EPT-2, two 18 gauge wires and EPT-10, ten 24 gauge wires. The EPT-2, EPT-10, and PNT-1 are UL listed as "miscellaneous fire door accessories". UL Listed for use on fire doors. PNT-1 has one 5/32" tube.

### Door applications:

Degree of opening	Hinge type	Door thickness
0-180	Up to 5" butt hinges	1 3/4"
0-180	Up to 3/4" offset pivots	1 3/4"
0-130	5 1/2" butt hinges	1 3/4"
0-110	6" butt hinges	1 3/4"
0-90	Swing clear hinges	1 3/4"

### Finishes

SP28 (sprayed aluminum)  
SP313 (sprayed duranodic)

### Dimensions

Housing	9" x 1 1/4" x 1 5/8" (229mm x 32mm x 38mm)
EPT-2	Two 18 gauge wires, Up to 2 AMPS @ 24VDC, with a 16 AMPS Maximum Surge
EPT-10	Ten 24 gauge wires, Up to 1 AMPS @ 24VDC, with a 16 AMPS Maximum Surge
PNT-1	5/32" Tubing

### To order, specify:

1. EPT-2, EPT-10 or PNT-1.
2. Finish, SP28 or SP313.

## Electromagnetic locks

Schlage has a rich heritage in electronic security. For years we have led the industry by providing a broad portfolio of solutions to meet the diverse needs of the market. Today, our electromagnetic locking portfolio continues to evolve to meet your changing needs.

Schlage electromagnetic locks are used to secure the door in conjunction with push bars, request to- exit devices, or credential readers for fail-safe applications when code compliance permits. You can use them on a single standalone door or as part of an access control system. Electromagnetic locks do not contain moving parts, making them extremely durable and preferred for high security applications.

Electromagnetic locks consist of an armature and a coil assembly, which become magnetized when an electric current passes through them. This magnetic field secures the door. Electromagnetic locks are fail-safe by design. To unlock the door simply remove power.

### M400 Series electromagnetic locks

The M400 Series is a robust line of electromagnetic locks with unique new design elements that make them easy to install and secure.

#### Features:

- Auto voltage selection is standard
- Plus Package (P) adds magnetic bond sensor, relocking time delay, door status monitor
- Optional mounting kits available including: Top Jamb Mount, Double and Glass Door

#### Certifications:

- UL 1034
- UL 10C 3 hour fire rating
- BHMA Grade 1
  - M420 – 500 lb. hold force for traffic control
  - M450 – 1000 lb. hold force for high security
  - M490 – 1500 lb. hold force for max security

### Electromagnetic specialty locks

Schlage's electromagnetic specialty locks provide flexibility for a variety of applications. They offer a depth of features and a proven record of performance.

#### Features and certifications:

**M490DE:** Delays egress with 15 second timer: includes integrated alarm

- Designed to meet NFPA 101 & BOCA, UL 10C 3 hr fire rating, UL 294, and BHMA 1500 lb. hold force

**M490G:** Gate lock is weather resistant for exterior swinging and sliding gates

- BHMA 1500 lb. hold force rated GF3000: Concealed locking mechanism enhances security and appearance
- UL 10C 3 hr fire rating, BHMA 1500 lb. hold force 320M: MiniLine is mortise designed for interior sliding doors
- UL 10C 3 hr fire rating, UL 1034 listed

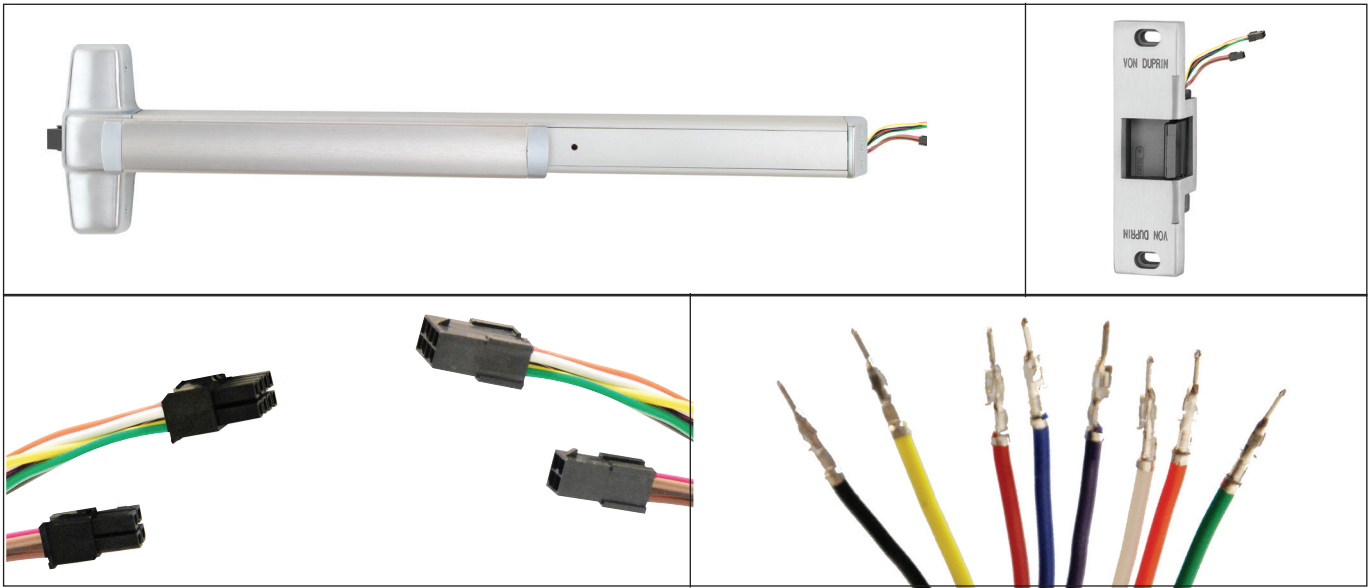
### 40/70 Series Electromagnetic Locks

Ease of installation makes the 40/70 Series a perfect choice for retrofit applications. It is also easy to select and stock.

#### Features and Certifications:

- Magnetic bond sensor and door status monitor standard
- UL 10C 1 hour fire rating and BHMA Grade 1:
  - 40 Series – 500 lb. hold force
  - 70 Series – 1000 lb. hold force

# Allegion Connect

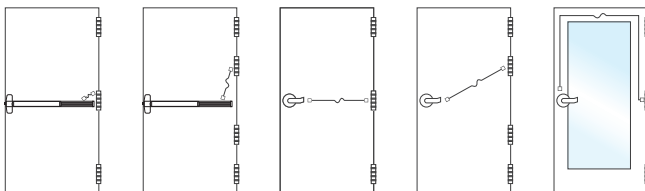


Allegion Connect features common interconnect components for many cross-category electrified options. Allegion Connect is a quick and easy way to connect power sources. There is no wire cutting; reducing installation and maintenance time ultimately cutting cost. After installation, Allegion Connect continues to provide benefits throughout the lifetime of the opening by offering a service kit for repairs or modifications in the future.

## Features and benefits

- **Quick:** common connections reducing installation time
- **Perfect Connections:** these factory installed connectors ensure the right wires match up every time
- **Protective:** the connectors protect the connection points throughout the installation process and lifetime of the opening
- **Interchangeable:** all Allegion Connect products utilize the same connectors
- **Maintenance:** you no longer need to cut away wire to disconnect Allegion products, also available as a service kit specifically for Connect products.

## Wire run options



Harness length	Connectors on both ends	Connectors on one end, crimped pins on the other end
6 Inches	CON-6	CON-6P
12 Inches	CON-12	CON-12P
26 Inches	CON-26	CON-26P
32 Inches	CON-32	CON-32P
38 Inches	CON-38	CON-38P
44 Inches	CON-44	CON-44P
50 Inches	CON-50	CON-50P
192 Inches	CON-192	CON-192P

Power Supply Wire Harness = Connectors on one end, stripped leads on the other end  
6 Inches CON-6W - wire extension to power supply

Consult door manufacturer for harness length requirements.

**Note:** You will need to purchase a separate wiring harness to go from exit device to hinge/EPT and an additional harness to go from hinge/EPT to power supply or access control system. Harness part numbers with ordering information can be located in the Schlage, Von Duprin and Falcon pricebooks. A service kit is available for order in the Schlage, Von Duprin and Falcon pricebooks. Included in this kit are male end plugs, female end plugs and pins to customize harnesses to your application.

**Note:** Must be ordered with exit devices and locks

## To order, specify:

1. Specify CON for Connect electronic options  
Example: QEL-99-EO-CON (99 Series quiet electric latch retraction exit only with Connect connectors)
2. Specify harness length; Consult door manufacturer for harness length
3. Specify Von Duprin EPT10-CON or Ives electrical thru-wire hinge



# RX330/RX350 Push pad



RX330

RX330 and RX350 bar features an active push pad with monitoring switch or "request to exit" switch, used to inhibit alarms for authorized exiting. The 330 grooved outer case and the 350 smooth outer case are designed as companion units for series 33A, 35A, 98 and 99 exit devices.

The internal SPDT switch should not be used to control a load, but as a signaling switch.

### Minimum door openings:

- 3' (914mm)      2'6" (762mm) to 3' (914mm)
- 4' (1219mm)      3'1" (940mm) to 4' (1219mm)

### To order, specify:

1. Prefix series 330 or 350 with "RX".
- Example, RX330
2. Size 3' or 4' (3' supplied standard if size not specified)
3. Finish: US3, US4, US10, US28, US26, US26D, 313AN, 315AN

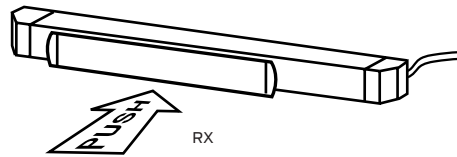
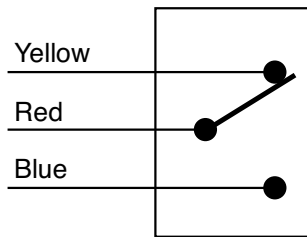
---

### Specifications

---

SPDT 0.5 ampere @ 24VDC

---



## GUARD-X Exit alarm lock



**2670 GUARD-X** provides secure, alarmed code-compliant protection for secondary emergency exits. The GUARD-X exit alarm lock readily identifies the door on which it is mounted as an emergency exit and secures the opening against unauthorized use. It is ideal for deterring theft in restaurants and retail establishments such as: discount stores, grocery stores, drug stores, clothing stores and sporting goods stores.

The GUARD-X lock provides secure protection through a large stainless steel deadbolt, which is 2" x 1/2" (51mm x 13mm) and has over 3/4" (19mm) throw. The engagement area into the strike is over 1 1/4" (32mm) square inches. The latch case protects the internal mechanism and resists tampering or vandalism from inside the door. This unit has been tested to withstand up to 1600 pounds of static load force against the door.

GUARD-X does not allow re-latching or resetting the alarm after an unauthorized exit, other than by an authorized person with a key. A 100-decibel alarm provides clear, attention getting warning for an unauthorized exit or attempted exit. The armed indicator light informs the owner that the alarm is armed, and an audible low-battery alert signals the owner to replace the battery when necessary.

A standard 9-volt battery powers the alarm. An exterior 9-volt power supply is available, Model PT-790, a 120VAC plug-in. When using the external power supply, the 9-volt battery functions as a battery backup during a power failure.

GUARD-X is armed and disarmed by key using a standard rim cylinder. It can be operated from the building exterior by a standard rim cylinder, so an authorized user can easily arm and disarm it to enter or exit the building when required. When using exterior operation a pull trim is recommended, use 210DT or 230DT. Rim cylinders are not furnished and must be ordered separately.

The 267 strike is furnished standard for single door applications. The optional 2609 strike is available for double door applications.

### Specifications

Touchbar height to finished floor	40" (1016mm) at center
Door width range	36" (914mm) to 48" (1219mm)
Touchbar projection —	
neutral	4 1/8" (103mm)
depressed	2 3/4" (70mm)
Latch case housing	7" (179mm) x 4 1/16" (103mm) x 4 1/8" (105mm)
Device length	32 1/2" (826mm)
Minimum stile requirement	Single door - 5 7/8", Double door - 6 1/4"

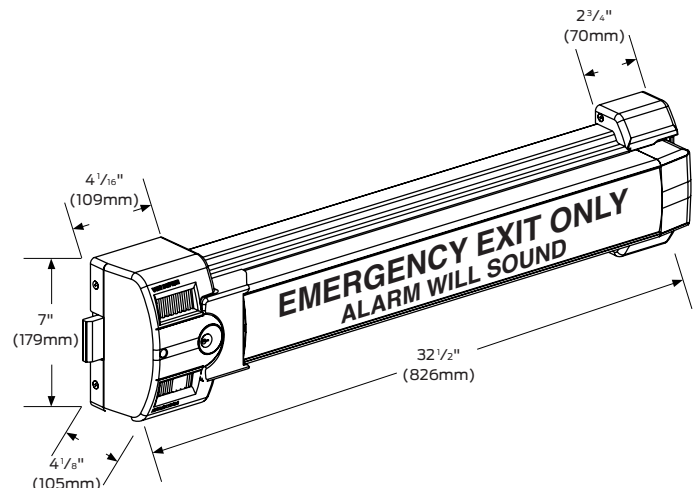
**Note:** Von Duprin trim does not thru-bolt to the Guard-X. Ives door pulls 8102-6 and 8105-6 offer dimensions that align and thru-bolt to the Guard-X Exit Lock - Order separately from Ives.

The GUARD-X non-handed design means the installer can mount it for either hand by just removing and reversing the "EMERGENCY EXIT – ALARM WILL SOUND" sign built into the device. The standard warning sign is in English with Braille; French and Spanish are available.

GUARD-X is UL/cUL listed for Panic Exit Hardware, complies with NFPA 101 Life Safety Code, meets UL305 requirements and is tested in accordance to ANSI A156.3 Grade 1 Panic Hardware. It is compliant with NFPA 101 Life Safety Code by providing a push pad that extends at least one-half the width of any door from 36" to 48" wide. The impact-resistant end caps meet UL305 requirements by providing a design that will not catch on clothing during egress.

### To order, specify:

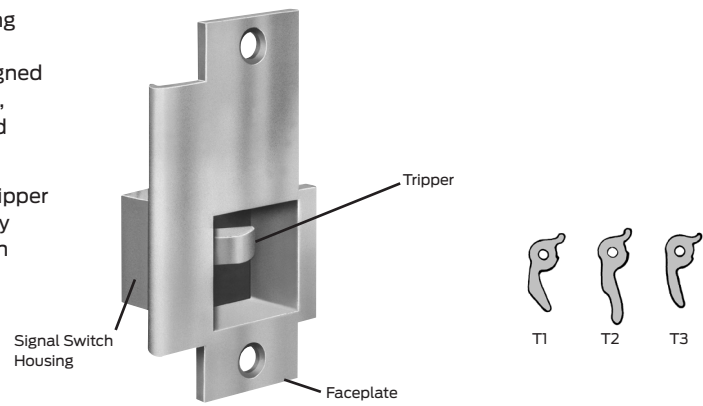
1. Model 2670
2. Finish: US28, 313, 315.
3. Strike if other than standard 267.
4. Language if other than English.
5. Specify Rim Cylinder or Sex Bolts if required.
6. Outside trim if needed.



## Monitor strikes

Monitor strikes are designed to offer remote door monitoring through the use of a signal switch mounted in the strike to monitor the latch bolt. This series of monitor strikes is designed for use with Von Duprin and most other manufacturers' rim, mortise, surface and concealed vertical rod exit devices and cylindrical, mortise and unit type locks.

The monitor strike replaces the standard door strike. The tripper in the monitor strike is depressed when the latch bolt is fully inserted in the strike. The stainless steel tripper activates an electric switch.



### Monitor strike electrical rating

SPDT Switch (single pole double throw): 24VDC @ 2 Amps (resistive)

**Note:** Tripper selection is based on the throw and shape of the latch bolt.

### Series 4263, 4268-T1, 4582



### Model specifications

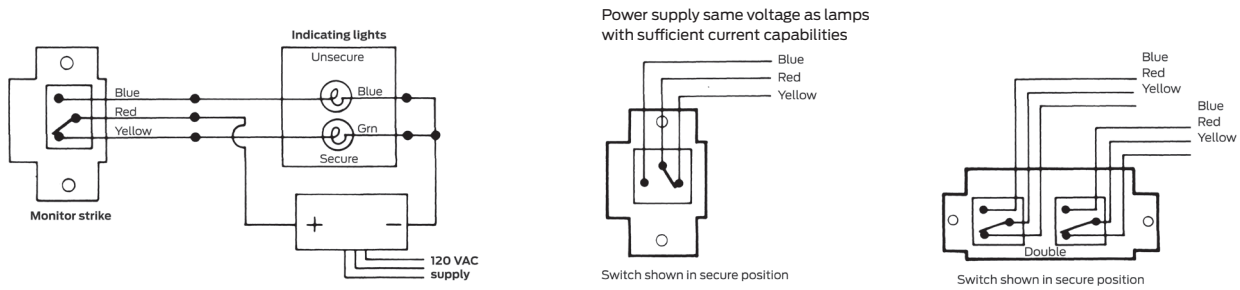
Model number	4263	4268-T1	4582
Lockset	Rim or surface vertical rod exit devices	Rim fire exit devices	Mortise or cylindrical locks
Number of doors	Single or pair	Single or pair	Single or pair
Compatibility (with tripper type)	Von Duprin 22, T3 2227, T1 33A/35A, T3 3327A/3527A, T3 44, T1 55, T1 88, T1 8827, T1 98/99, T3 9827/9927, T1 Monarch Rim, T3 ( <sup>3</sup> / <sub>49</sub> " [19mm] throw) Yale® 1500, T1 ( <sup>5</sup> / <sub>89</sub> " [16mm] throw)	Von Duprin 22/22-F 33A/35A 88/88-F 98/99 98-F/99-F	Schlage <sup>3</sup> / <sub>4</sub> " (19mm) Cyl., T2 L90, T2 Falcon <sup>5</sup> / <sub>8</sub> " (16mm) ML (LR), T2 Arrow™ <sup>5</sup> / <sub>8</sub> " (16mm) ML (LR), T1 Corbin Ruswin® <sup>5</sup> / <sub>8</sub> " (16mm) ML (LR) 5999 ML (LR), T2 Yale® <sup>5</sup> / <sub>8</sub> " (16mm) ML (LR), T2
Certifications		UL list (GXHX R4504) fire exit hardware	UL List (GXHX R4504) fire exit hardware
Application notes	1	2	3

#### Application notes:

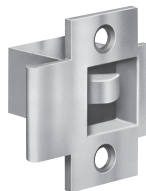
- The 4263 is non-handed and features horizontal adjustment to compensate for misalignment of door and frame. 4263 may be used with a mullion. Tripper selection (-T1 or -T3) is based upon the lock to be used with.
- The 4268 features horizontal adjustment to compensate for misalignment of door and frame. 4268-T1 is not for use with mullions.
- For use on single or pair of doors with ANSI 115.3 frame cutout (frame modification required.) Tripper selection (-T1 or -T2) is based upon the lock to be used.

# Monitor strikes

## Basic monitor strike circuit



## Series 4570T1, 4670-T1, 4690-T2, 4690-1-T2



Missing Image



### Model specifications

Model number	4570-T1	4670-T1	4690-T2	4690-1-T2
Lockset	Cylindrical locks	Cylindrical locks	Concealed vertical rod exit devices	Concealed vertical rod exit devices
Number of doors	Single or pair	Single or pair	Wide stile pair of doors	Narrow stile pair of doors
Compatibility (with tripper type)	Schlage 1/29" (13mm) Cyl. 5/89" (14mm) Cyl. Falcon 1/29" (13mm) Cyl. 9/169" (14mm) Cyl. Adams Rite® 4510 8400 Arrow™ 1/29" (13mm) Cyl. Best® 9/169" (14mm) Cyl. Corbin Russwin® 5/89" (16mm) Cyl. Dexter® 7/169" (11mm) Cyl. Kwikset® 1/29" (13mm) Cyl. Precision™ 1040 Automatic Flush Bolt* Sargent® 1/29" (13mm) Cyl. Yale® 1/29" (13mm) Cyl.	Schlage 1/29" (13mm) Cyl. Falcon 1/29" (13mm) Cyl. 9/169" (14mm) Cyl. Adams Rite® 4510 8400 Arrow™ 1/29" (13mm) Cyl. Best® 9/169" (14mm) Cyl. Corbin Russwin® 5/89" (16mm) Cyl. Dexter® 7/169" (11mm) Cyl. Kwikset® 1/29" (13mm) Cyl. Precision™ 1040 Automatic Flush Bolt* Sargent® 1/29" (13mm) Cyl. Yale® 1/29" (13mm) Cyl.	Von Duprin 3347A-F 3347A 9947 9947F	Von Duprin 3347A
Certifications				UL list (GXHX R4504) fire exit hardware
Application notes	1	2	3	4

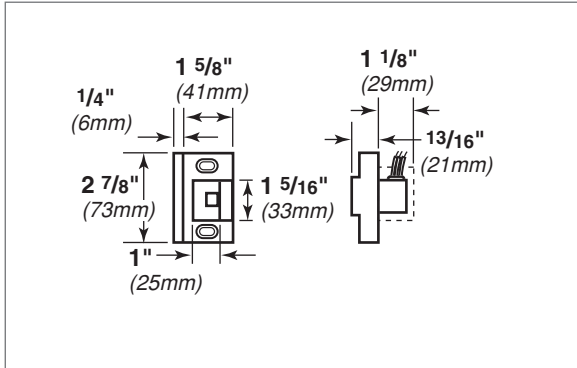
\* Special template required

#### Application notes:

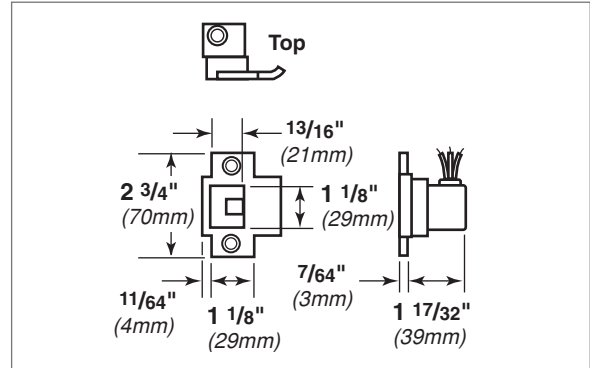
- For use on single or pair of doors with ANSI 115.2 frame cutout (frame modification required.) 4570-T1 is only used with T1.
- For use on single or double doors with ANSI 115.3 frame cutout (frame modification required.) 4670-T1 is only used with T1.
- For use with pair of doors where one leaf has concealed vertical rods. 4690-T2 is only used with T2.
- For use with pair of doors where both leaves have concealed vertical rods. 4690-1-T2 is only used with T2.

# Monitor strikes dimensions

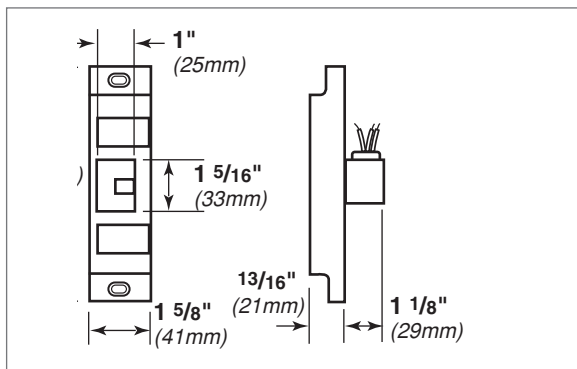
4263



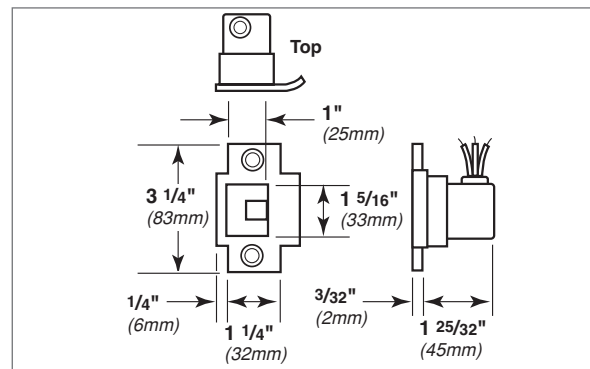
4670-T1



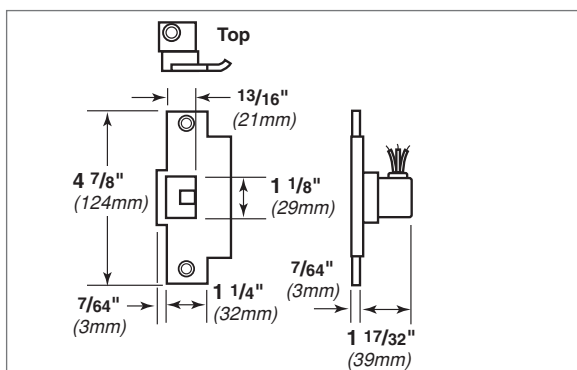
4268-T1



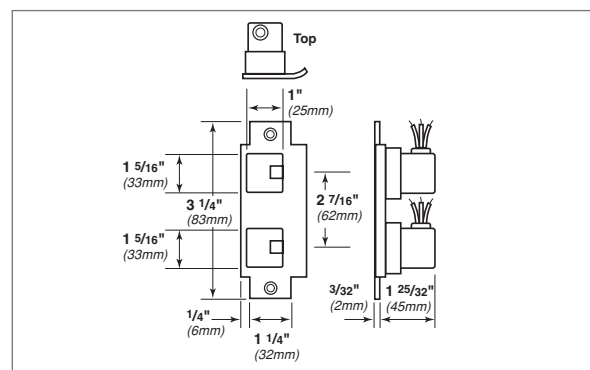
4690-T2



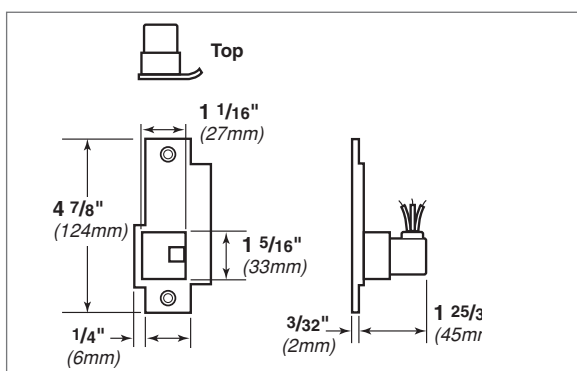
4570-T1



4690-1-T2



4582



## To order, specify

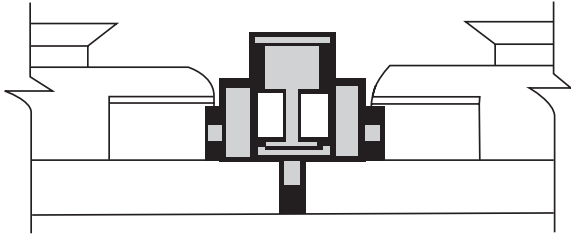
1. Model
2. Tripper T1, T2 or T3
3. Handing required on model 4582, specify LHR or RHR
4. Finish: US3, US4, US10, US10B, US26, US26D

# Mullions

**Electrified removable mullions** are used with pairs of doors equipped with rim mounted exit devices.

Each includes an electric cable with five conductors wired to a twist-apart plug. The soffit fitting is supplied with a pre-wired mating socket.

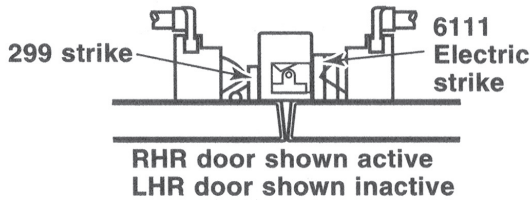
**4754** — Prepared for two 4263 monitor strikes. Use with all Von Duprin rim panic devices.



**4854** — Prepared for one 6111 electric strike and one 299 strike. Indicate handing for electric strike.

**9854** — Prepared for one 6111 electric strike and one 268 or 499F strike. Indicate handing for electric strike. UL Fire labeled for up to 3 hours on up to 8' x 8' (2438mm x 2438mm) openings using Von Duprin fire exit rim devices.

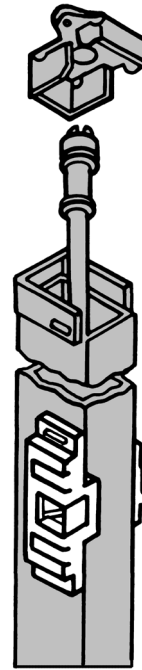
### 4854/9854 — Using one electric strike



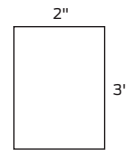
**KR** - Keyed removable option available on electrified removable mullion. Makes removal faster and easier by a single operation of the mortise cylinder. Once mullion is removed, large equipment or furniture can freely pass through the opening. The unit will self lock when re-installed, without use of the cylinder key. Uses 1 1/4" mortise cylinder with a straight cam (Schlage cam reference B502-191). Cylinders are sold separately. Prefix mullion model with "KR".

### To order, specify

1. Model number.
2. Height of opening
3. Finish: SP28, SP313, SPBLK.
4. Handing if required.
5. Centerline deviation (refer to device template for standard centerline).
6. Strikes, when required, should be ordered with device.
7. For keyed removable option prefix model number with "KR", example KR9854.



### Steel mullion dimensions



Wall Thickness 1/8" (3mm)

### Sizes for mullions

- 4754, 4854, 9854
- 7' 2" (2184mm)
- \*8' 2" (2489mm)
- \*10' 2" (3099mm)

### KR4754, KR4854

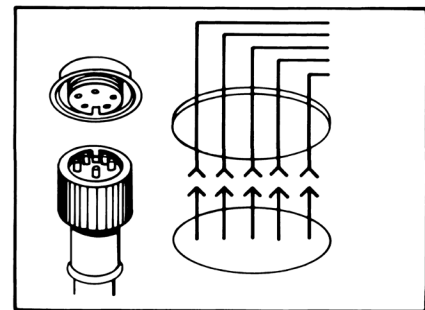
- 7' 6" (2286mm)
- 8' 6" (2591mm)
- 10' 6" (3200mm)

### KR9854<sup>2</sup>

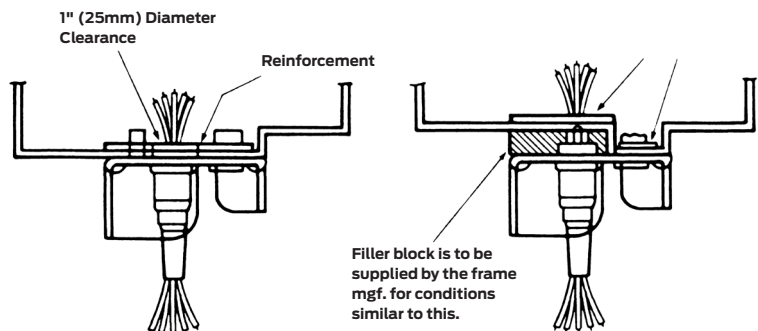
- 7' 5" (2261mm)
- 8' 5" (2565mm)<sup>1</sup>
- 10' 5" (3175mm)<sup>1</sup>

<sup>1</sup> Only qualifying applications will be provided with UL Label.  
<sup>2</sup> See exit device catalog for allowable heights for fire rating.

### Quick disconnect



### Soffit details



# Lever styles

## Decorative levers



M51<sup>2</sup>



M52<sup>2</sup>



M53



M54



M55



M56



M57<sup>1</sup>



M61<sup>3</sup>



M62<sup>1,3</sup>



M63<sup>3</sup>



M81<sup>2</sup>



M82



M83



M84



M85<sup>3</sup>

- 1. Available in Stainless Steel substrate ONLY.
- 2. Knurling available.
- 3. Handed.

## Standard levers



01



02<sup>2</sup>



03<sup>1,2</sup>



05



06<sup>1</sup> (Default lever)



07



12<sup>3</sup>



16 - Omega



17<sup>1,2</sup>



18



ACC<sup>3</sup> - Accent



AST<sup>3</sup> - Asti



MER<sup>3</sup> - Merano



LAT<sup>1</sup> Latitude



LON<sup>1</sup> - Longitude

- 1. Available in Stainless Steel - specify SS when ordering
- 2. Knurling available.
- 3. Handed.

## About Allegion

Allegion (NYSE: ALLE) is a global pioneer in seamless access, with leading brands like CISA®, Interflex®, LCN®, Schlage®, SimonsVoss® and Von Duprin®. Focusing on security around the door and adjacent areas, Allegion secures people and assets with a range of solutions for homes, businesses, schools and institutions. Allegion had \$2.9 billion in revenue in 2019 and sells products in almost 130 countries.

For more, visit [www.allegion.com](http://www.allegion.com)

KRYPTONITE ■ LCN ■  ■ STEELCRAFT ■ VON DUPRIN